

Closing Springs for Hinged Doors

DICTATOR supplies various closing springs to go along with the Standard door dampers. They assure that the door is closed reliably without fault.

All closing springs are designed to be built into the door. DICTATOR provides two different systems:

- **Torsion spring**

It is mainly used for doors with hinges that are situated in-between the door and the frame.

- **Concealed jamb closer**

It is available with front plate. It can be installed also on existing doors as its use is not limited to a special door make.



List of Types

Torsion spring

E 22/2550 concealed jamb closer with front and counter plate

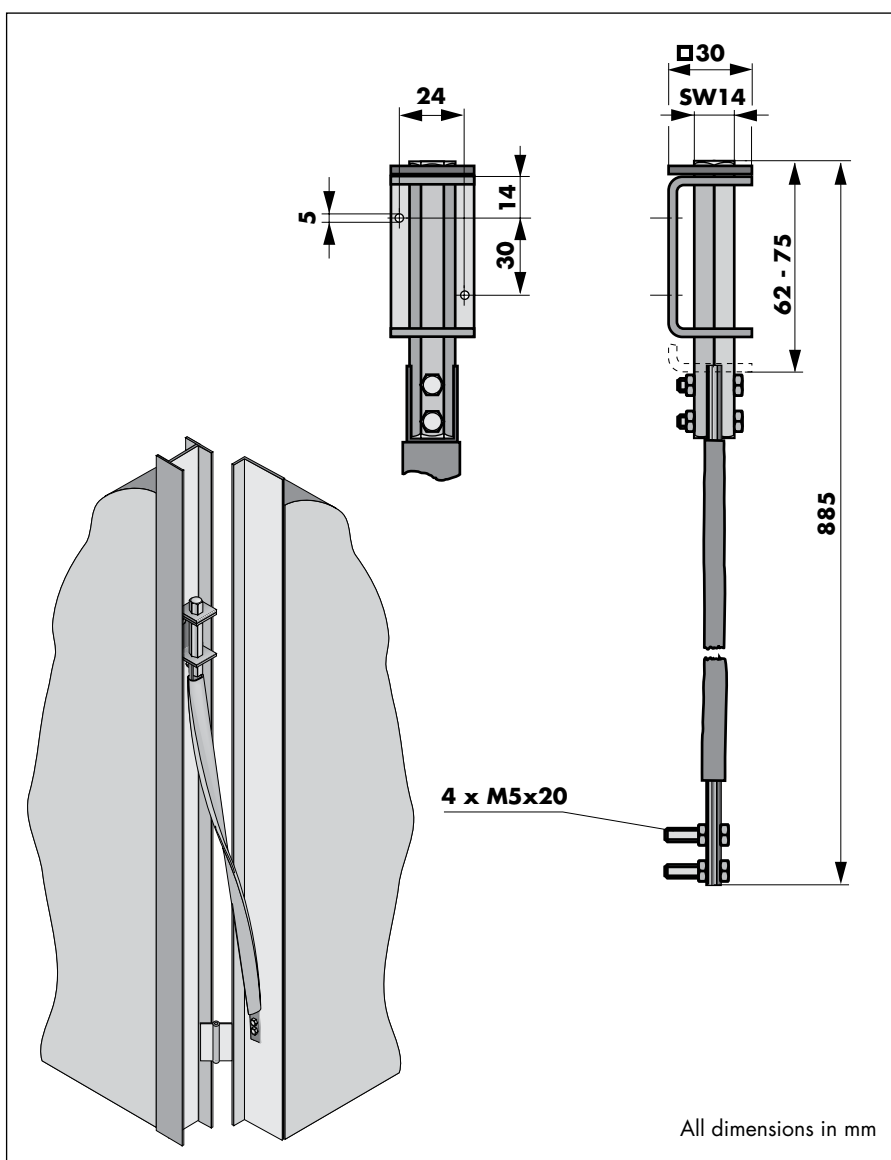


Torsion Spring for Hinged Lift Doors

The torsion spring consists of several high-quality spring leaves, that are held together at the top and the bottom with screws. To avoid unnecessary noise the spring leaves are covered with a flexible plastic tube.

When installing the torsion spring please make sure there is sufficient space between the door frame and the door to which the torsion spring is to be fitted. We are unable to make any general recommendation on the pretensioning of the torsion spring as this will depend on the door size and weight.

Dimensions



Technical Data

Material	spring steel
Components	eight spring leaves (15 x 0.5 mm)

Order Information

Torsion spring	part no. 103000
----------------	-----------------



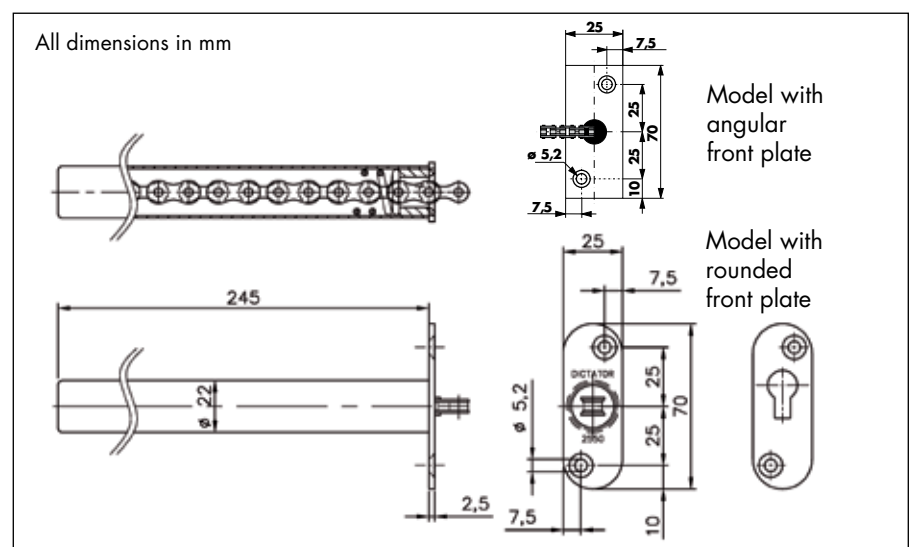
E 22/2550 Concealed Jamb Closer with Counter Plate

In combination with the DICTATOR Standard door dampers the concealed jamb closer represents an economic and reliable solution for the closing of hinged lift doors.

The E 22/2550 concealed jamb closer can be installed anywhere on the door as the closing force can be adjusted on the connection chain. The closing force indicated below is just an approximate value as it depends a lot on the hinges of the lift door.

The DICTATOR E 22/2550 concealed jamb closer can be used on flush and overlapping doors. It does not require maintenance. However, we recommend you occasionally grease the chain to achieve optimal results and durability.

Dimensions



Installation



Firstly drill a $\varnothing 23$ mm hole into the face side of the door. Then insert the concealed jamb closer into the hole and fix its front plate to the door with two countersunk head screws. Fix the counter plate to the frame opposite the front plate, exactly at the same height.

Connect the chain to the opening of the counter plate, open the door a bit more and remove the securing pin. The concealed jamb closer is now ready to work.

The tension of the spring and closing force of the concealed jamb closer can be increased by putting the securing pin back into the chain when the door is wide open. Now insert the chain further into the counter plate. After removing the securing pin the door is closed with a higher force. Please be aware that the opening angle of the door may be limited if the hinges are lying far outside and/or the spring of the concealed jamb closer is tensioned strongly. In this case the jamb closer locks before reaching 180° . By continuing to open the door to 180° you will damage both the concealed jamb closer and the door.

Technical Data

Diameter of the cylinder	$\varnothing 22$ mm
Opening angle of the door	up to 180°
Closing action starting at	about 150° (depending on the hinge)
Closing force	1.5 - 30 Nm
Material of the cylinder	Aluminium
Finish of the front and counter plate	stainless steel

Order Information

E 22/2550 concealed jamb closer, rounded AISI 304 front plate	part no. 300319
E 22/2550 concealed jamb closer, angular zinc-plated steel front plate	no. 300341

