

DICTATOR VS 2000 Door Damper Top-of-the-Range Model

The progressive breaking action of the DICTATOR door dampers gently and smoothly slows down the door, firmly pulls the door into the latch and reliably keeps the door closed.

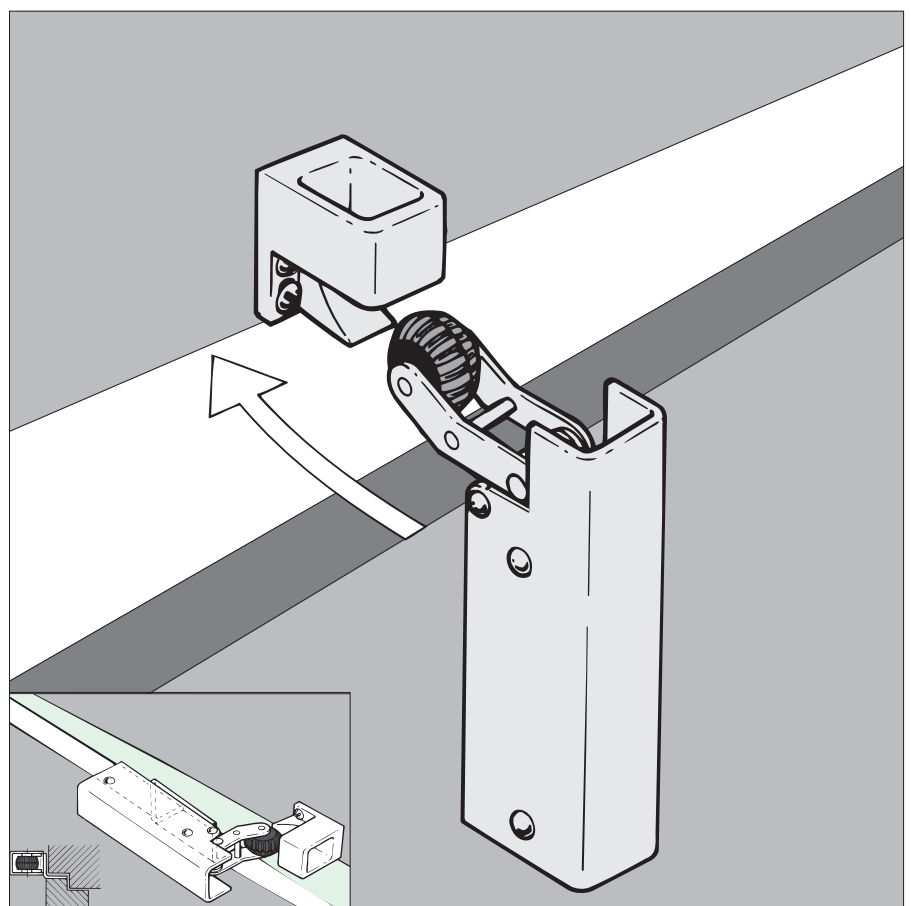
The top-of-the-range DICTATOR door damper is the VS 2000. It is also suitable for heavier doors and is available with a variety of spring strengths.

The VS 2000 is easy to install due to its patented fixing system with integrated hinged mounting plate. All fixing elements are hidden, so the hook and slimline body form an aesthetically pleasing unit.

The VS 2000 door damper is mounted on the face of the door and is suitable for both left and right hand doors.

The door damper is mounted vertically in the centre of the upper door member. Using the special mounting plate (see accessories) the models with 20 N or 50 N spring can also be fitted horizontally (see small illustration).

For narrow steel door frames special fixing plates to weld on are available, and for thin-walled steel doors large mounting plates.



Technical Data

Types of doors	left and right hand, overlapping, flush doors
Closing force	20, 50, 80 or 115 N (measured on the door damper)
Damping characteristics	progressive, adjustable closing speed
Damping fluid	silicone oil - almost independent of temperature
Mounting possibilities	horizontally or vertically
Components included	door damper, hook, 3 small plates for the hook, screws
Finish	polished chrome; also unpolished, golden, colour coated
Recommended accessories	"Piccolo" or "Concealed jamb closer" closing spring

Mounting

The VS 2000 DICTATOR door damper is mounted vertically in the centre of the upper door member.

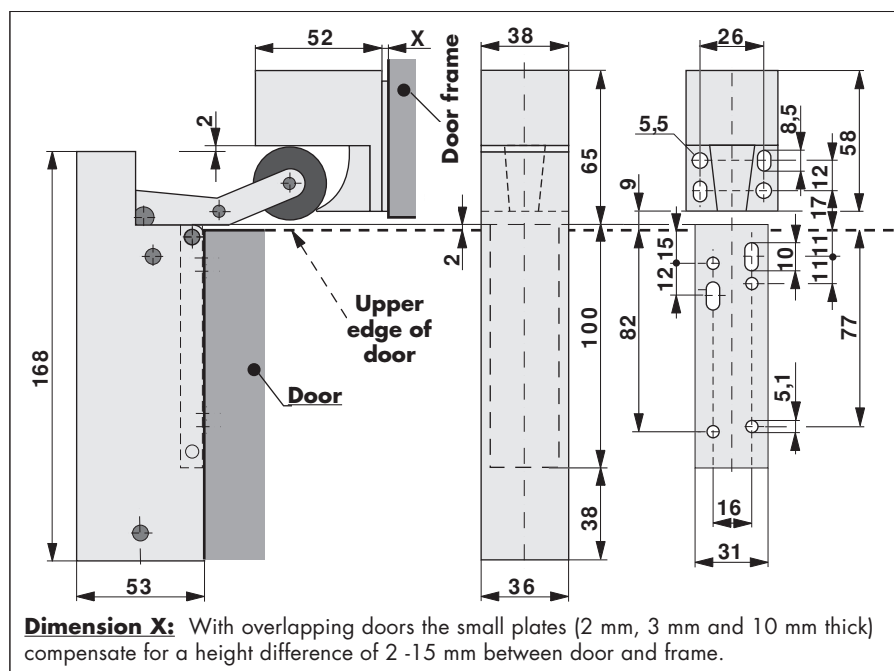
Unfold the mounting plate from the casing, hold it vertically to the door (towards the middle of the door) and screw the plate to the door (firstly only with the oblong hole) so that the upper edge of the mounting plate overlaps the upper edge of the door by about 2 mm.

Having made sure the mounting plate is placed accurately in a vertical position, fix it with all 4 screws. The body is then hinged down and clipped into position.

Now close the door and mark the outline of the body on the door frame in order to determine the exact lateral position of the hook. The hook is mounted at the correct height when the rubber roller on the lever only just touches the front edge of the hook when closing.

Important: with overlapping doors the small plates must be used to compensate for a height difference between body and hook.

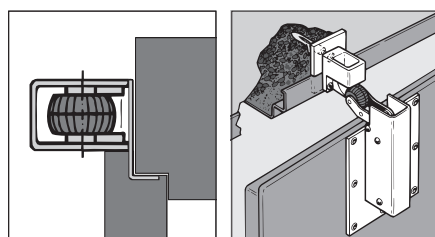
Dimensions



Order Information

DICTATOR door damper VS 2000 (chromed), 20 N	part no. 300575
DICTATOR door damper VS 2000 (chromed), 50 N	part no. 300500
DICTATOR door damper VS 2000 (chromed), 80 N	part no. 300550
DICTATOR door damper VS 2000 (chromed), 115 N	part no. 300560
DICTATOR door damper VS 2000 (other finishes)	on request

Accessories



Bracket for mounting horizontally on flush doors	part no. 205221
Bracket for mounting horizontally on overlapping doors	part no. 205220
Mounting plate for steel doors (to be riveted to the door)	part no. 205212
Mounting plate for narrow steel frames (can be welded)	part no. 205232
Mounting plate to horizontally mount the hook	part no. 205256

Please find details and diagrams concerning the installation of different mounting plates later in this catalogue. Please do not hesitate to contact us should you have a particularly difficult installation.