

Dictator H 1300 Door Damper

With Reinforced Joint for Particularly Heavy Doors

The progressive breaking action of Dictator door dampers gently and smoothly slows down the door, firmly pulls the door into the latch and reliably keeps the door closed. All door dampers are preadjusted for an optimal damping performance.

The H 1300 door damper has a reinforced joint and a longer roller lever. This gives it a longer life, even when mounted on big and heavy doors.

Progressive damping is particularly important with big doors as the speed of impact increases the further away the door damper is from the door hinge. The damping and the closing speed are adjustable.

The H 1300 door damper consists of the casing with roller lever, a damping cylinder and the hook. It is suitable for left and right operating doors.

To make mounting easier and more reliable, special fixing plates for the hook are available, which can be welded onto narrow steel door frames. Large mounting plates for thin-walled steel doors are also available.



Technical Data

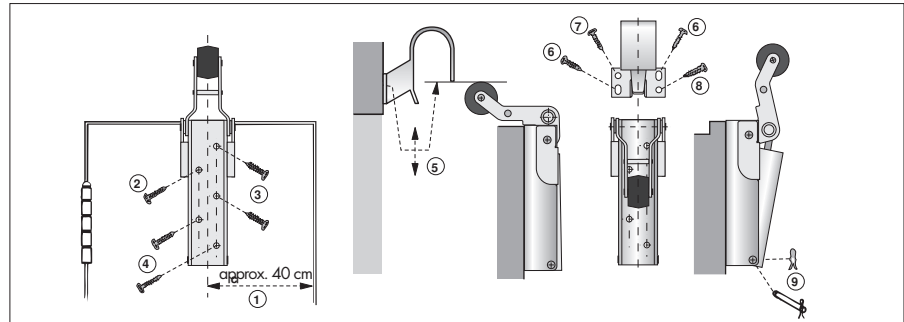
Types of doors	left and right operating, overlapping, flush, recessed doors
Closing force	20, 50, 80 or 115 N (measured on the door damper)
Damping characteristics	progressive, adjustable
Damping fluid	silicone oil - nearly independent of temperature
Components included	door damper, hook, screws
Finish	nickel plated
Recommended accessories	"Piccolo" or "Concealed jamb closer" closing spring

Mounting

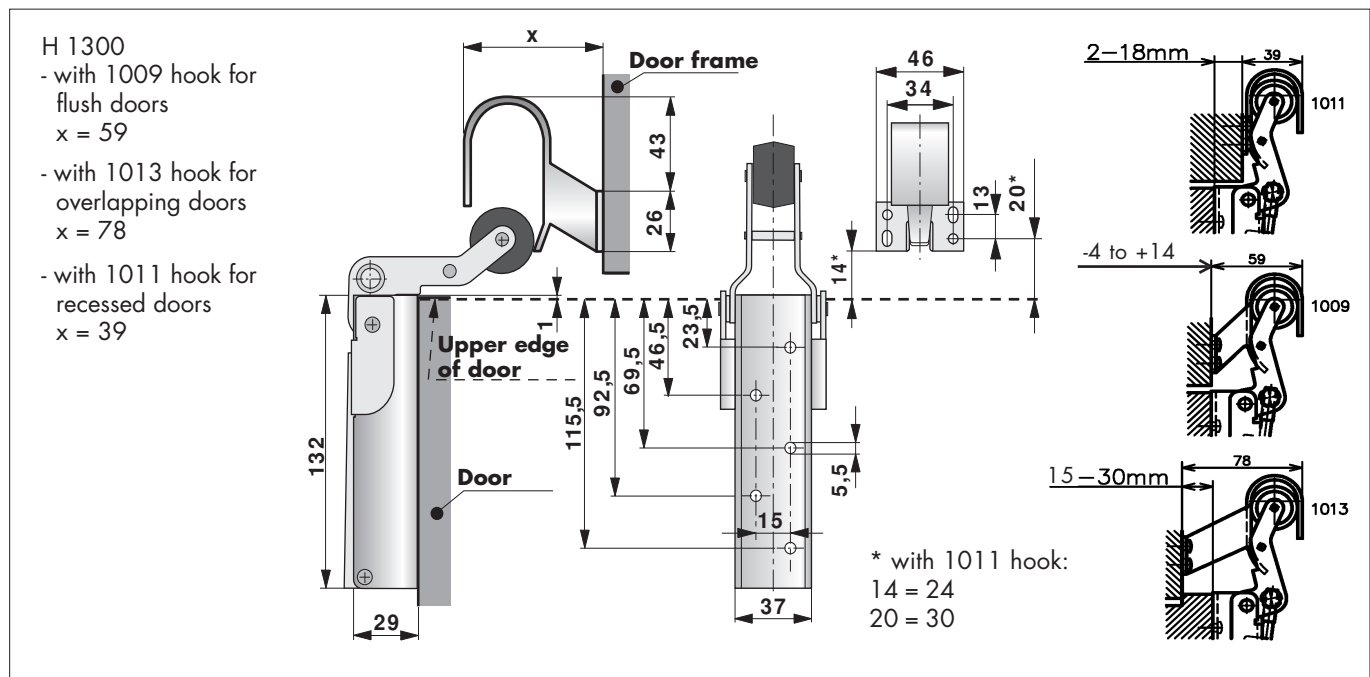
The installation procedure is shown below.

Important: the upper edge of the casing should overlap the upper edge of the door by about 1 mm. The hook should be mounted so that the rubber roller on the operating lever only just touches the front edge of the hook when closing.

The H 1300 door damper is available with different hooks for overlapping (Ha), flush (Hg) or recessed doors.



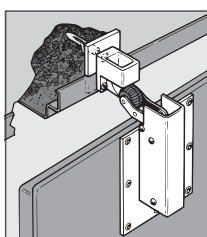
Dimensions



Order Information

Ha 1300 door damper (for overlapping doors), 50 N	part no. 300100
Ha 1300 door damper (for overlapping doors), 80 N	part no. 300130
Hg 1300 door damper (for flush doors), 50 N	part no. 300110
Hg 1300 door damper (for flush doors), 80 N	part no. 300140
H 1300 door damper in other executions	on request

Accessories



Mounting plate for thin-walled steel doors (to be riveted to door)	part no. 205213
Mounting plate for narrow steel frames (can be welded)	part no. 205231

Please find details and diagrams concerning the installation of different mounting plates further on in this catalogue. Please contact us if you have a particularly complicated installation.