

## Universal Z Door Damper

### The Reasonable Model for All Interior Doors

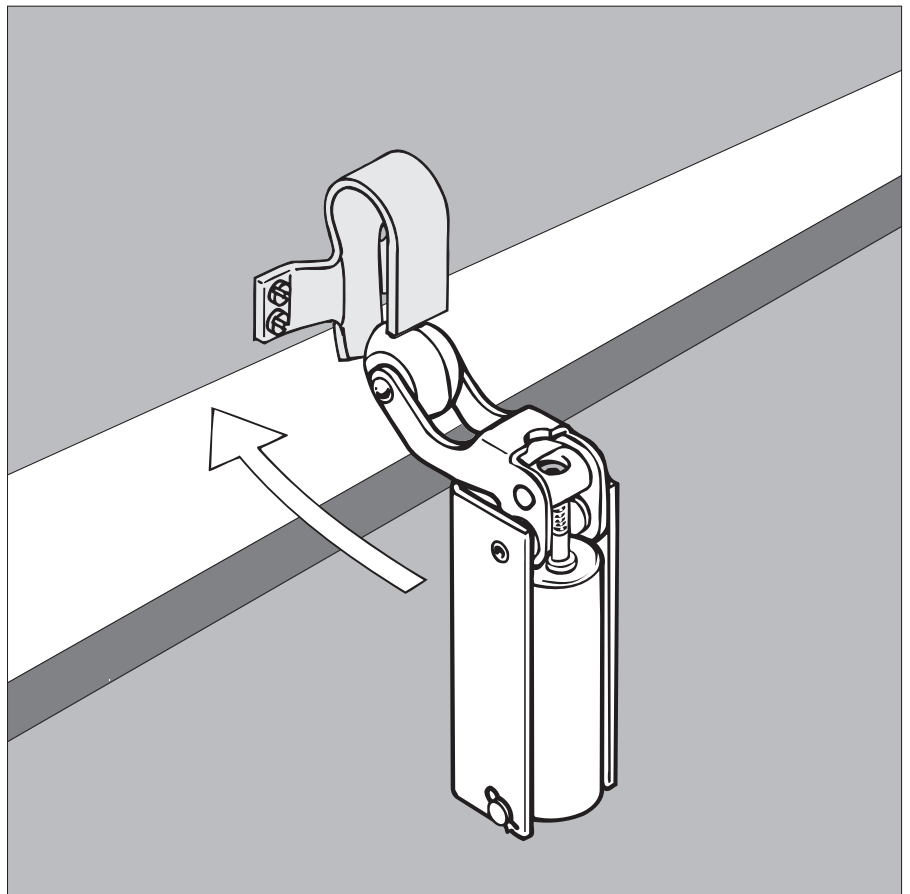
The progressive breaking action of DICTATOR door dampers gently and smoothly slows down the door, firmly pulls the door into the latch and reliably keeps the door closed.

The Z door damper is the best value model of all DICTATOR door dampers. Due to its small size it is particularly suitable for interior doors.

The Z door damper is available in 3 different models: Z 1000, ZF and Z 1100. The ZF model is mainly used in France. Contrary to the Z 1000 and the ZF for hinged doors, the Z 1100 is designed for sliding doors.

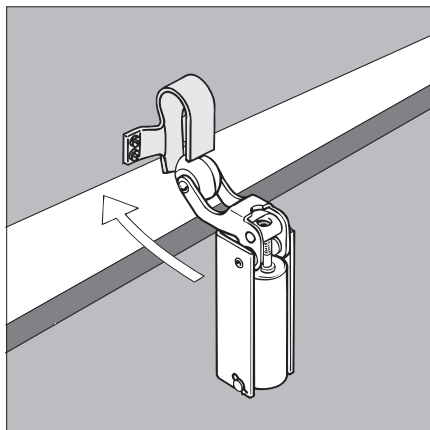
The Z door damper consists of the casing with roller lever, the damping cylinder with closing spring, and the hook.

The three different hooks available allow Z door dampers to be mounted onto overlapping, flush or recessed doors.



### Technical Data

Types of doors	left and right operating, overlapping, flush, recessed doors
Closing force	20, 50 or 80 N (measured on the door damper)
Damping characteristics	progressive, adjustable closing speed
Damping fluid	silicone oil - almost independent of temperature
Components included	door damper, hook, screws
Finish	nickel or zinc-plated; on request also polished or satin chrome



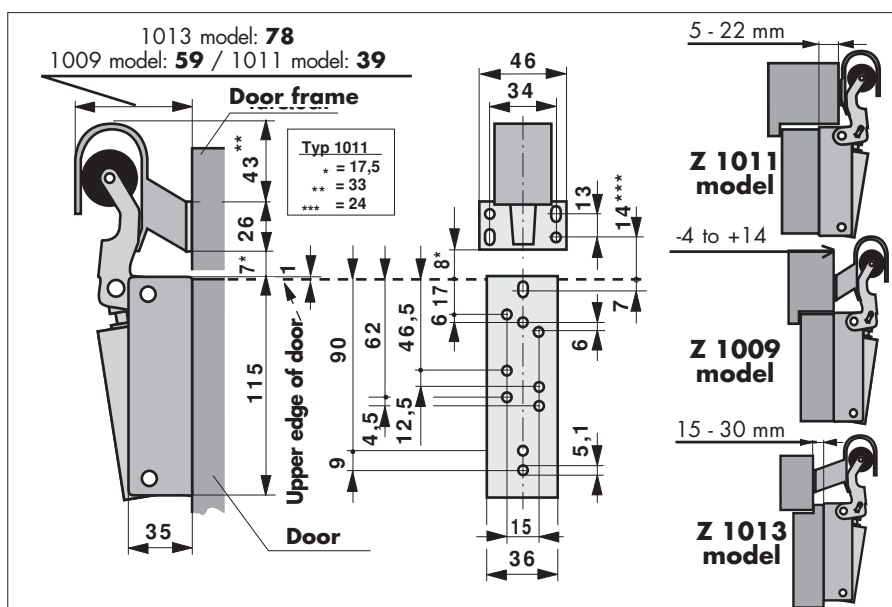
## DICTATOR Z 1000 Door Damper

### Cost-Effective Standard Model for All Interior Doors

The DICTATOR Z 1000 door damper is mainly used on interior doors. It is the standard model of the Z range. Due to its universal fixing holes it also replaces the models ZF, ZU and ZT. It is usually either zinc- or nickel-plated (see order information). Other finishes are possible on request (satin or polished chrome).

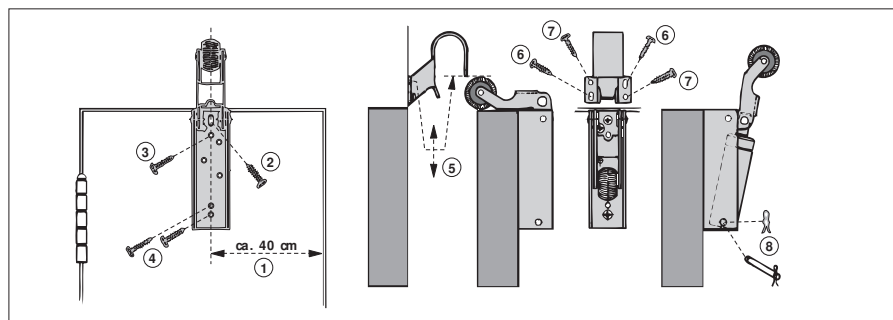
The Z 1000 door damper is available with different hooks for flush (Z 1009), recessed (Z 1011) and overlapping doors (Z 1013) (see drawing).

## Dimensions



## Mounting

Mark the oblong hole of the casing about 40 cm from the closing edge of the door. The upper edge of the casing should overlap the upper edge of the door by about 1 mm. Now screw the door damper vertically to the front of the door (see drawing). Fix the hook to the door frame so that the rubber roller on the operating lever passes just below the front edge of the hook. Finally fix the cylinder with the bolt to the casing of the door damper.



## Order Information

Zg 1009 door damper	nickel plated, 50 N	part no. 300373
Zz 1011 door damper	nickel plated, 50 N	part no. 300374
Za 1013 door damper	nickel plated, 50 N	part no. 300375
Zg 1209 door damper	zinc plated, 80 N	part no. 300368





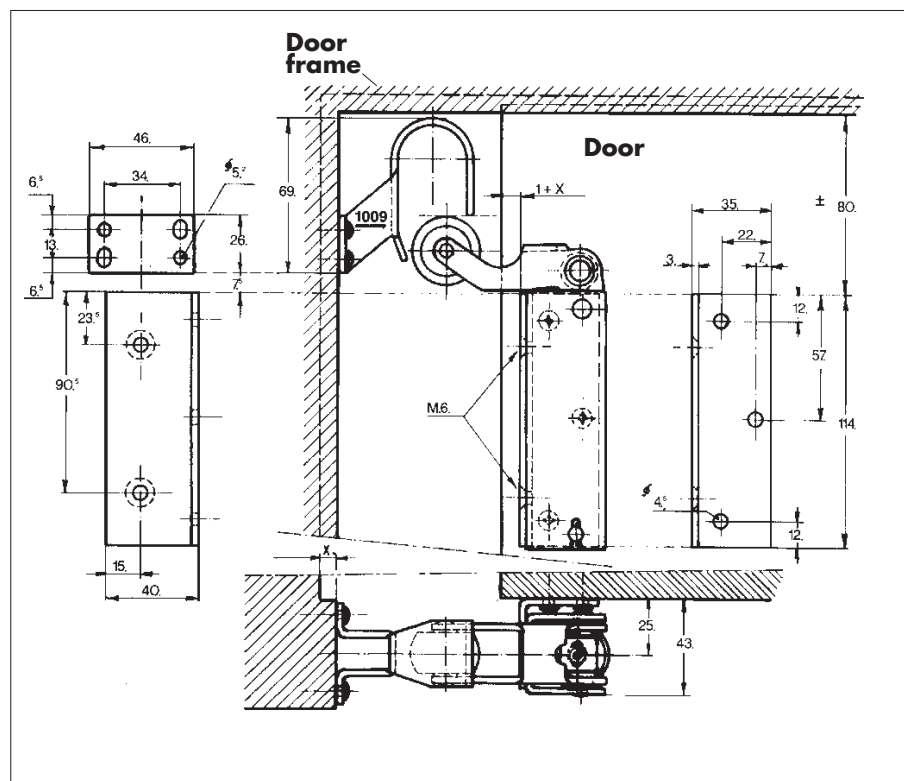
## DICTATOR Z 1100 Door Damper

### For Sliding Doors

The DICTATOR Z 1100 door damper is a special version of the Z 1000 with mounting bracket designed for room sliding doors. The Z 1100 door damper slows down the closing speed on the last few centimetres and closes the sliding door completely. Re-opening of the door is prevented by the inclusion of an helical spring in the damper holding the operating lever firmly in the closed position.

The Z 1100 door damper comes with the 1009 hook (see page 02.012.00 for dimensions).

## Dimensions



## Mounting

The mounting bracket is screwed onto the sliding door about 1 mm from the closing edge and about 80 mm below the upper edge of the door. Fix the cylinder with the two bolts to the casing and then screw the door damper to the mounting bracket with two M6-screws. To determine the position of the hook, push down the roller lever. The roller should pass just below the front edge of the hook. Only use the two oblong holes when fixing for the first time. The two remaining screws can be used once you have adjusted the hook to the optimal position.

## Order Information

Z 1100 door damper (for sliding doors), nickel-plated, 20 N

part no. 300367