

DICTATOR "DIREKT" Gate Closer

Ideal for Outside Gates

The DICTATOR gate closer DIREKT is the **economic** solution for the **controlled closing of outside gates**, such as admission gates to kindergartens, schools, industrial plants or just normal garden entrance doors. Unlike a normal closing spring the gate is not thrown shut. The gate closer DIREKT reduces the danger of injuries and accidents and prevents the gate from hitting the person just passing through the gate. The gate closer DIREKT always **closes the gate reliably**, which is for example very important in kindergartens, thus preventing the children from running out into the street.

It is as **easy to install** as a normal closing spring. But unlike the normal closing springs its **closing speed** can be **adjusted**.

Depending on the gate and the hinges you either use the **DIREKT 150** or the **DIREKT 200**.

The gate closer DIREKT can be installed on gates with normal, ascending and screw hinges.



Technical Data

Finish of the piston rod	hard chrome plated or stainless steel
Finish of the cylinder/protection tube	black, white or silver coated steel or stainless steel
Opening angle	up to about 110°
Weight of the gate	up to ca. 100 kg, depending on chosen model
Size of the gate	height max. ca. 2500 mm, width ca. 750 - 1500 mm
Closing force	depending on the type of installation 10 - 60 Nm
Closing speed	continuous adjusting



Operation and Application of the DIREKT

The gate closer DIREKT operates directly on the gate/door without the help of any lever. It is fixed on one side to the pillar or the door frame. Its other side is fixed to the door or gate. It operates similar to a gas spring. When the door is opened the piston rod of the gate closer is compressed. The pressure of the gas inside the gate closer now acts on the piston. The piston rod extends and closes the door/gate. As the cylinder of the gate closer also contains hydraulic oil, the closing speed is controlled and slowed down. By using nitrogen gas instead of a helical spring, much higher closing forces can be achieved. Thus the gate closer DIREKT always closes the door/gate reliably despite its small dimensions.

Selection Criteria

The DIREKT is available in two different lengths: with 150 and 200 mm stroke. Usually the DIREKT 150 will be the correct choice. The DIREKT 200 is especially designed for wide gates and disadvantageous hinge and pillar situations.

In general you can use the mounting accessories described on page 02.034.03.

For doors with ascending hinges we supply a special type of DIREKT with ball and socket joint on both ends. More details you will find on page 02.034.04.

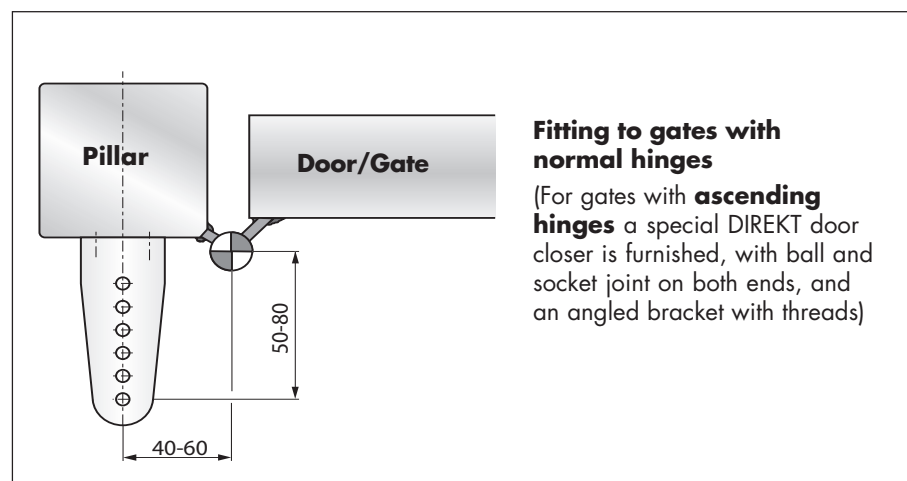
	DIREKT 150	DIREKT 200
Weight per gate leaf	up to ca. 80 kg	up to ca. 100 kg
Height per gate leaf	up to ca. 2500 mm	up to ca. 2500 mm
Width per gate leaf	ca. 750 - 1200 mm	ca. 750 - 1500 mm
Closing force*	ca. 10 - 25 Nm	ca. 10 - 60 Nm

* depending on the installation and the type

To ensure the correct functioning of the DIREKT 150 and DIREKT 200, certain distances to the hinges have to be observed. These distances are determined by the kind of hinge, the possibility to fix the mounting bracket and the positioning of the gate leaf to the pillar.

The following drawings show some typical hinge situations and their optimum installation measurements.

Dimensions to be Observed DIREKT 150



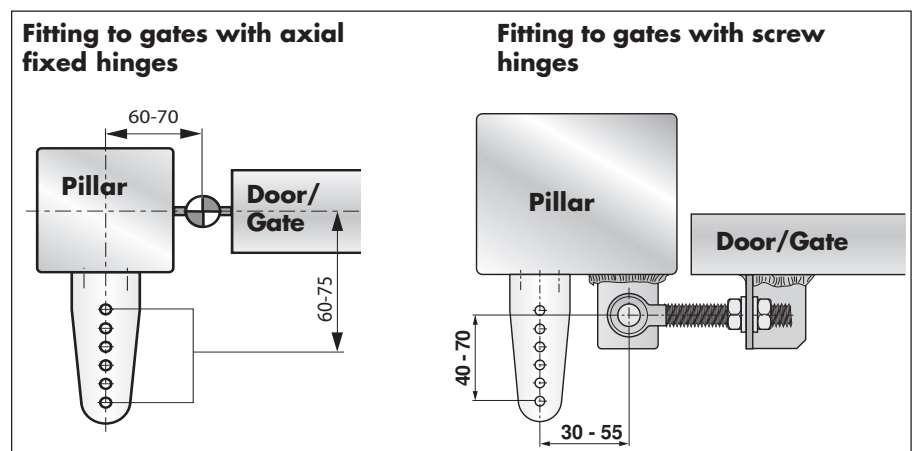
Continued on the following page



Application of DIREKT 150 - cont.

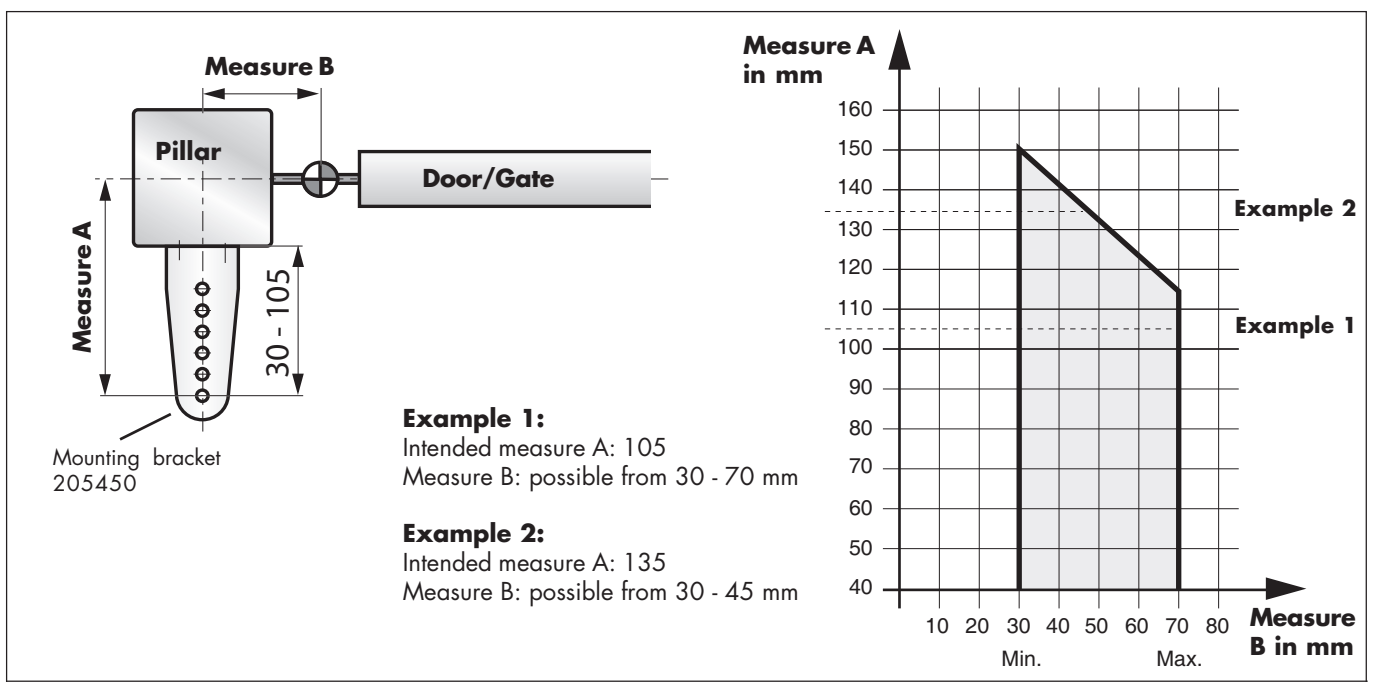
To ensure a sufficient closing force during the final closing process, the angle of the DIREKT to the closed door should be as advantageous as possible. This result is obtained by fitting the DIREKT to a hole of the mounting bracket as far away from the pillar as possible.

Dimensions to be Observed DIREKT 150 - cont.



Dimensions to be Observed DIREKT 200

The individual mounting measurements of the **DIREKT 200** depend on the geometry of the pillar and the used hinges. For checking if the DIREKT 200 will fit for your application, please measure the distance between middle of the bracket and the front edge of the pillar. To get the mounting measure A, please add the distance presumably necessary to the boring of the angled bracket no. 205450 (min. 30 mm, max. 105 mm). In case your mounting measure A is larger than in the diagram, the maximum opening angle will be reduced.



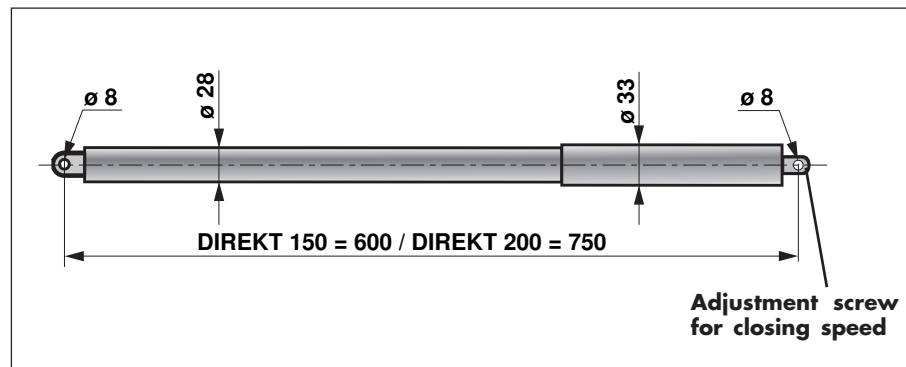


Dimensions DIREKT, Order Information

The only difference between the door closers DIREKT 150 and DIREKT 200 is their length. Both types are available with different finishes and from stainless steel. The accessories are either zinc-plated or from stainless steel.

The door closers DIREKT are provided with diverse closing forces. For smooth-running doors, which easily fall shut or which do not have a latch, the closing force of 400 N is sufficient. You should choose the DIREKT with 600 N, if you have to push harder. In case the closing force is too high, it can be reduced on site by releasing some gas via the integrated valve.

Dimensions DIREKT 150 /DIREKT 200



Order Information

Type of gate closer DIREKT	with accessories* Part no.	without accessories Part no.
Gate closer DIREKT 150, 400 N, zinc-plated	392301	392311
Gate closer DIREKT 150, 600 N, zinc-plated	392309	392319
Gate closer DIREKT 150, 400 N, black	392300	392310
Gate closer DIREKT 150, 600 N, black	392308	392318
Gate closer DIREKT 150, 400 N, white	392302	392312
Gate closer DIREKT 150, 400 N, stainless steel	392400	392410
Gate closer DIREKT 150, 600 N, stainless steel	392401	392411
Gate closer DIREKT 200, 400 N, zinc-plated	392363	392373
Gate closer DIREKT 200, 600 N, zinc-plated	392366	392361
Gate closer DIREKT 200, 400 N, black	392364	392365
Gate closer DIREKT 200, 400 N, stainless steel	392463	392464
Gate closer DIREKT 200, 600 N, stainless steel	392466	392460

Mounting accessories	zinc-plated	stainless steel
Angled bracket for gate closer DIREKT	205264	205267
Angled bracket for slender pillars	205450	205451
Bracket	205197	205249

*By default the DIREKT with accessories include the following parts:
 one piece each of 205450 and 205197
 or in stainless steel execution: one piece each of 205451 and 205249



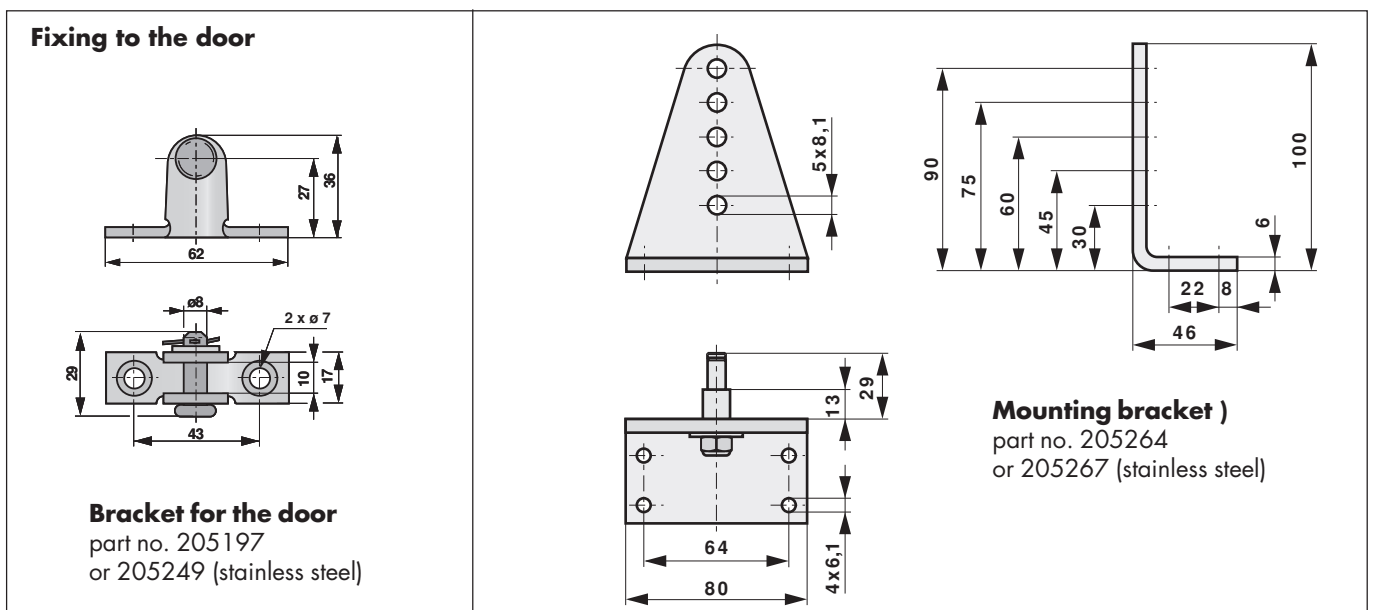
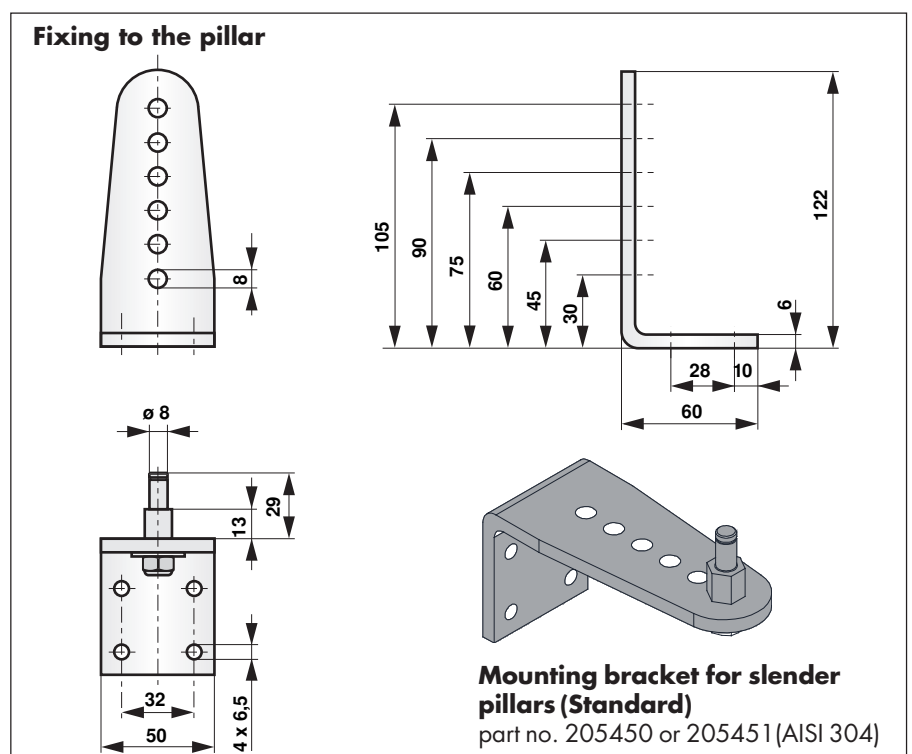
Mounting Accessories

Usually the door/gate closer DIREKT is provided as a set, including the mounting accessories. In the following drawings you will find the dimensions. The special fixing accessories for DIREKT for ascending hinges you will find on the next page.

The mounting accessories are available in zinc-plated steel or stainless steel.

In addition to the standard mounting brackets DICTATOR also offers customised solutions. They are designed to exactly fit the respective pillars or constructions and guarantee the optimum functioning of the DIREKT also under special conditions. Please contact our technical service for help.

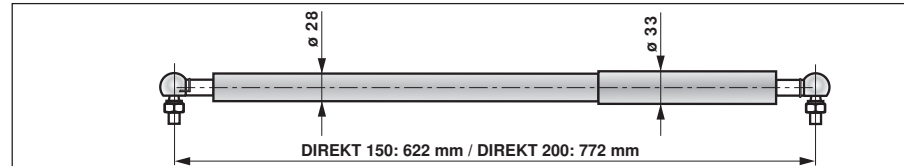
Dimensions of the Mounting Brackets



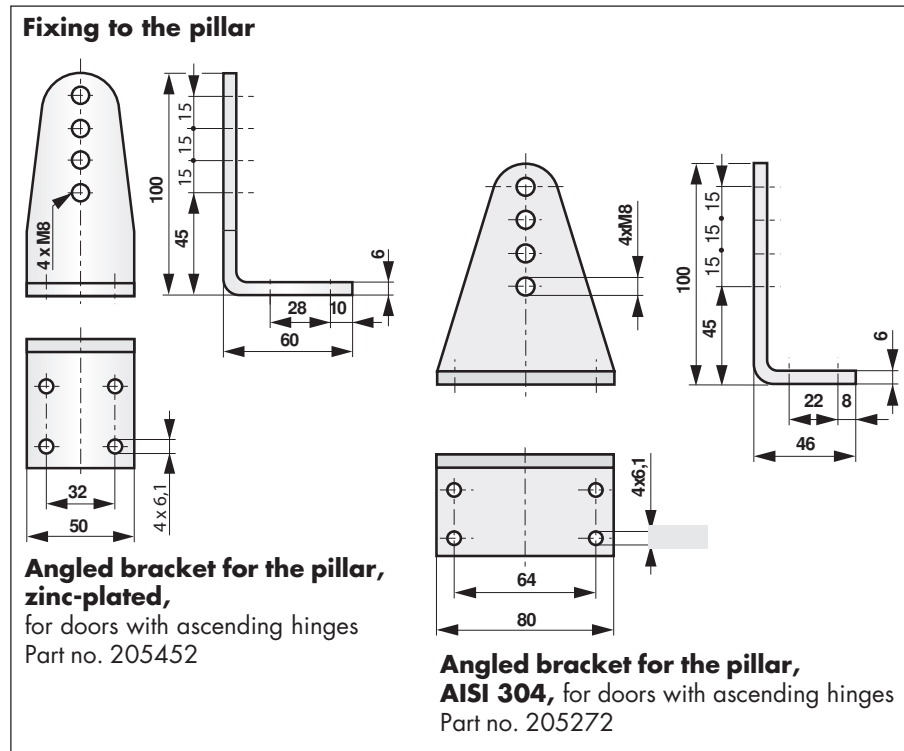
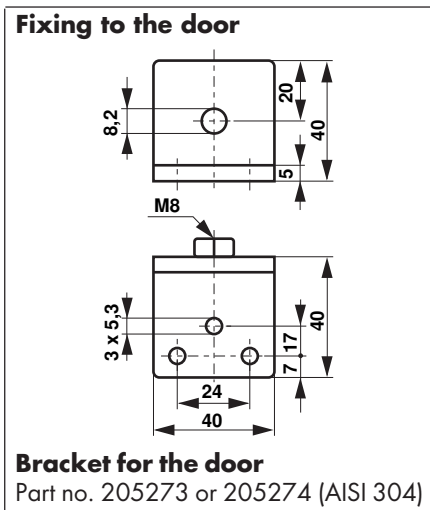


Gate Closer DIREKT for Doors with Ascending Hinges

The gate closer DIREKT can also be installed on doors with ascending hinges. For this application, however, it is furnished with a ball and socket joint on each side and therefore is slightly longer. The mounting brackets have M8 threads for holding the threaded ends. In general the same installation distances apply as with the normal DIREKT 150 and DIREKT 200.



Dimensions of the Mounting Brackets for Doors with Ascending Hinges



Order Information

The necessary closing force is mainly influenced by the rise during opening and the weight of the door/gate. The higher these are, the lower the closing force has to be. Otherwise a very high force would be required for opening the door/gate.

Gate closer DIREKT for ascending hinges	with accessories* Part no.	without accessories Part no.
Gate closer DIREKT 150, 100 N, zinc-plated	392323	392333
Gate closer DIREKT 150, 400 N, zinc-plated	392321	392331
Gate closer DIREKT 150, 400 N, black	392320	392330
Gate closer DIREKT 150, 400 N, white	392322	392332
Gate closer DIREKT 150, 400 N, stainless steel	392420	392430
Gate closer DIREKT 200, 300 N, zinc-plated	---	392362
Gate closer DIREKT 200, 400 N, zinc-plated	392374	392375
Gate closer DIREKT 200, 300 N, stainless steel	---	392461

Mounting accessories	zinc-plated	AISI 304
Bracket, pillar, for ascending hinges	205452	205272
Bracket, door, for ascending hinges	205273	205274