

DICTATOR ZE Door Holder

The **DICTATOR ZE door holder** keeps the **door open in any position desired**. It is recommended for doors where it is not possible to use a mechanical stop for the open position of the door.

The ZE door holder is available in four sizes to match any size of door. Stroke distances between 25 and 90 mm can even compensate for **large clearances between the lower edge of the door and the floor**. Due to the integrated spring in the rubber foot of the door holder, the door remains securely in the adjusted position, even with uneven or polished floors.

All metallic parts of the door holder are made of either **aluminum or stainless steel**, including internal parts. The door holder therefore is ideal for use outdoors and in humid environments.

The door is fixed in the desired position simply by stepping on the rubber knob atop the door holder. To release it you tread the metal plate above the casing. The piston automatically retreats and the door again is free to move.

The standard finish of the door holder is silver. Other finishes are available on request.



Technical Data

Material	casing: aluminum; other parts: stainless steel, plastics
Strokes	25, 60, 75, 90 mm
Finish	silver; other finishes on request
Components included	door fastener with fixing screws

Installation

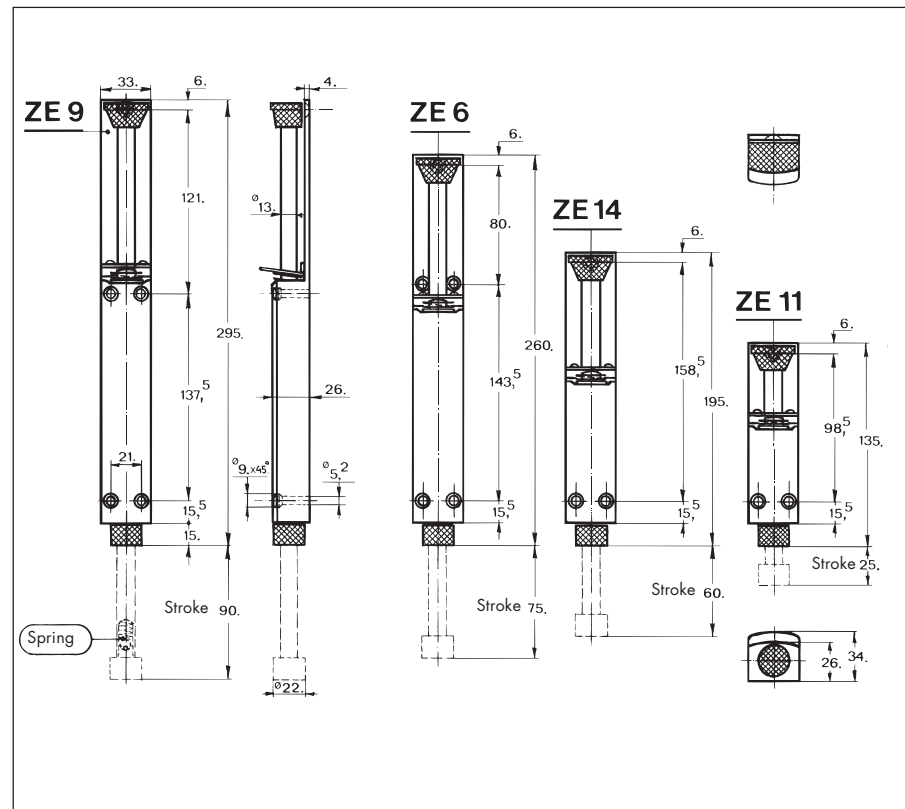
When selecting the mounting position of the door holder, make sure it can be easily reached when the door is open. The door holder DICTATOR ZE should be mounted as near to the closing edge of the door as possible. The rubber foot should be at the same height as the lower edge of the door.

Operation

The door is held open in the desired position by stepping on the rubber knob until the door cannot move. A small internal spring presses the rubber foot firmly against the floor and prevents the door from moving.

The door holder is released by stepping on the metal plate above the casing and underneath the rubber knob of the door holder. The piston rod will automatically return to its upward position.

Dimensions



Order Information

ZE 11 door holder	25 mm stroke	part no. 500200
ZE 14 door holder	60 mm stroke	part no. 500210
ZE 6 door holder	75 mm stroke	part no. 500220
ZE 9 door holder	90 mm stroke	part no. 500230