

## **DICTATOR R 1400 Door Check**

### **For Unobtrusive Mounting under the Frame on the Closing Face of the Door**

The R 1400 door damper is especially designed to cope with situations where unobtrusive mounting on the closing face of the door is wanted or required for optical or practical reasons. All R 1400 door checks are furnished with a special cylinder which allows vertical and horizontal mounting.

Usually the R 1400 is mounted directly at the closing edge of the door. Therefore, mostly the 20 N spring is used to make sure the door can easily be opened.

In spite of its small size the R 1400 door damper is suitable for interior and lighter exterior doors. The chrome plated case, concealed cylinder and nearly invisible fixing combine to give an attractive design.

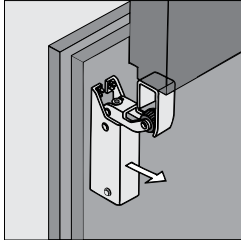
The R 1400 door check can be used on exterior and interior doors. For outdoor applications or in humid areas there are available models in stainless steel. If stainless steel is required for optical reasons only, we also furnish a more economic version with zinc-plated steel cylinder.



### **Technical Data**

Types of doors	left and right operating, overlapping, flush, recessed doors
Closing force	20, 50, 80 N (measured on the damper)
Damping characteristics	progressive, adjustable closing speed
Damping fluid	silicone oil, almost independent of temperature
Mounting possibilities	horizontally or vertically
Components included	door check, hook, screws
Material	steel or stainless steel
Finish	polished or satin chrome, golden shining, colour coated

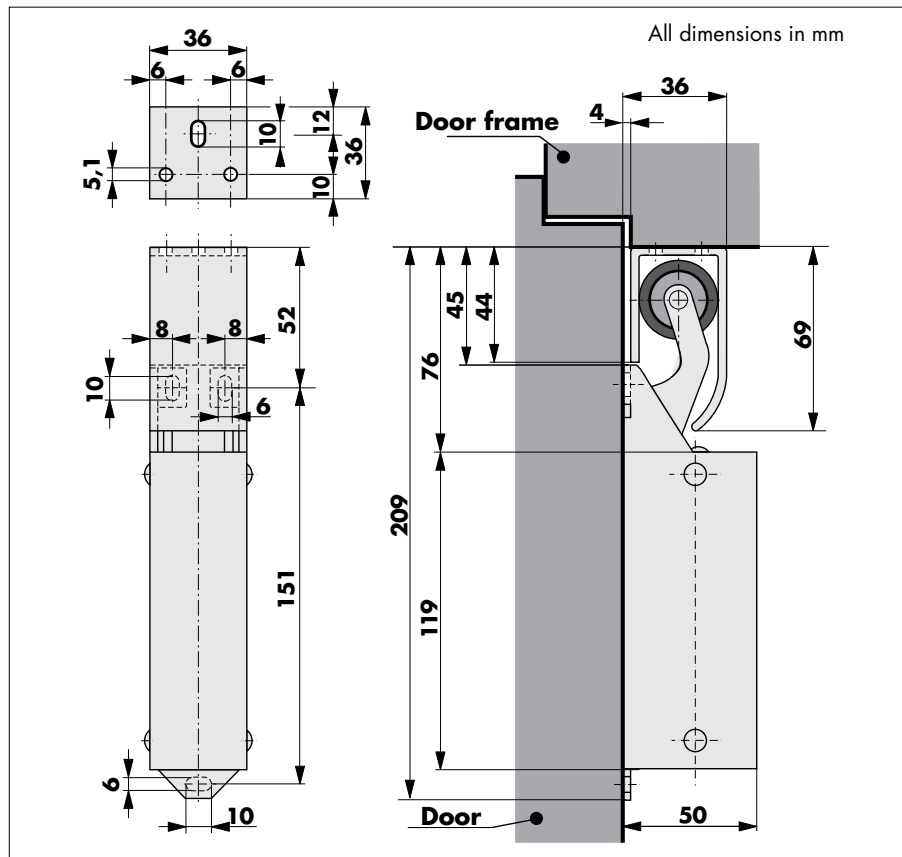
**Mounting**



Contrary to the other door checks the R 1400 door damper is always mounted on the "back" of the door. Important: The R 1400 door damper should always be mounted at the side, approx. 8 mm from the closing edge as the hook reaches into the doorway. You can either fix the door damper horizontally or vertically.

First screw the hook into the frame and then the damper to the closing face of the door. The rubber roller on the lever should only just touch the front edge of the hook when closing.

**Dimensions**



The R 1400 door check comes only with the hook type 1014.

**Order Information**  
(Further types on request)

R 1400 door check, hook 1014, 20 N, polished chrome	part no. 300387
R 1400 door check, hook 1014, 20 N, satin chromed	part no. 300387X
R 1400 door check, hook 1014, 20 N, RAL 9010 white	part no. 300471
R 1400 door check, hook 1014, 20 N, RAL 8017 brown	part no. 300970
R 1400 door check, hook 1014, 20 N, golden shining	part no. 300473
R 1400 door check, hook 1014, 20 N, AISI 304 (completely)	part no. 300625
R 1400 door check, hook 1014, 50 N, polished chrome	part no. 300475
R 1400 door check, hook 1014, 50 N, satin chromed	part no. 300475X
R 1400 door check, hook 1014, 50 N, AISI 304 (completely)	part no. 300626
R 1400 door check, hook 1014, 80 N, polished chrome	part no. 300474
R 1400 door check, hook 1014, 80 N, AISI 304 (completely)	part no. 300627