

## Mounting Plates and Brackets for Door Checks

DICTATOR provides special mounting plates for DICTATOR door checks which make it easier to install them on steel, fire protection and glass doors and in the horizontal position. (ATTENTION: The door check has to be suitable for horizontal mounting!)

The mounting plate for **steel doors** is equipped with all necessary holes and threads and is fixed to the door with rivets. With fire protection doors (use V 1600 door damper part no. 300960) the mounting plate should be fitted about 40 cm from the closing edge. DICTATOR also provides mounting plates for fixing the hook to narrow/thin **steel frames**. The safe and stable fixing of the hook is imperative as otherwise the perfect functioning of the door check cannot be guaranteed.

In the case of **fire protection doors** it is obligatory to use mounting plates both for the door check **and** the hook!

DICTATOR also provides a special U-profile mounting bracket to allow for installation on **doors made completely from glass**.



### Technical Data

Thickness of plate	3 mm (2.5 mm for model 205237)
Material	zinc-plated steel / stainless steel
Types of doors	steel, fire protection, glass doors
Fixing the mounting plate to steel doors	Ø 4x12 mm steel rivets, holes provided
Fixing the mounting plate (hook) to the frame	plug fixing with Ø 5 mm flat head screw
Fixing the U-profile to glass doors	Loctite Fast Epoxy cement

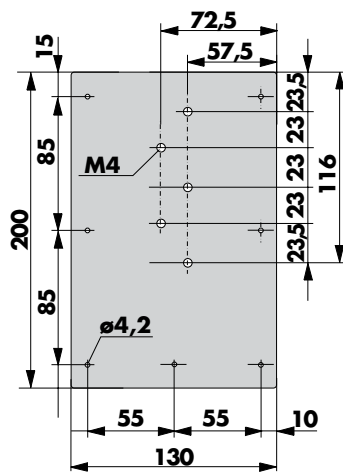


### Mounting Plates for Steel Doors

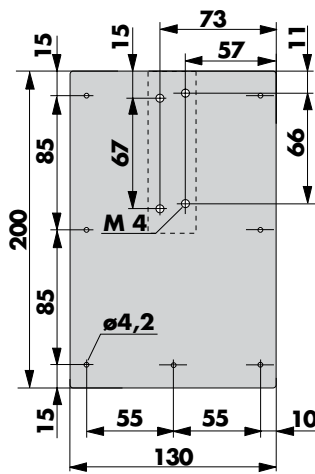
The mounting plates 205213/205212 are intended for doors with rebate. When using the mounting plate part no. 205237 the door has to be adjusted before the mounting to provide a gap of min. 3.5 mm between door and frame.

The hooks of the door checks are fixed to the frame. When it is not possible to fix them using all four holes of the hook - as with narrow steel frames - you should definitely use a mounting plate. For the door dampers V 1600 and H 1300 we provide the mounting plate 205231XL. It facilitates a very stable fixing and an easy mounting due to its oblong holes and the different possibilities of fixing.

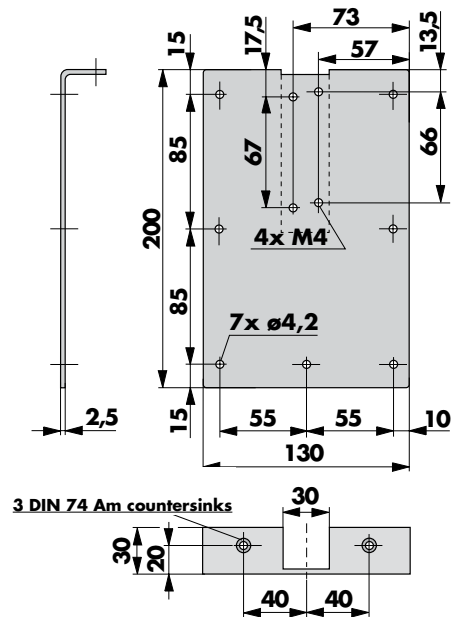
### Dimensions of Mounting Plates for Door Checks



H 1300 mounting plate, part no. 205213

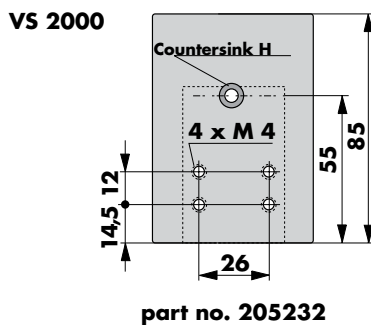


V 1600 and VS 2000 mounting plate, part no. 205212

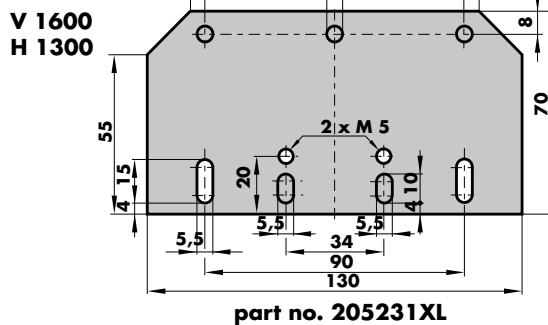


V 1600 mounting plate for fire protection doors without rebate, part no. 205237

### Dimensions of Mounting Plates for Hooks



part no. 205232

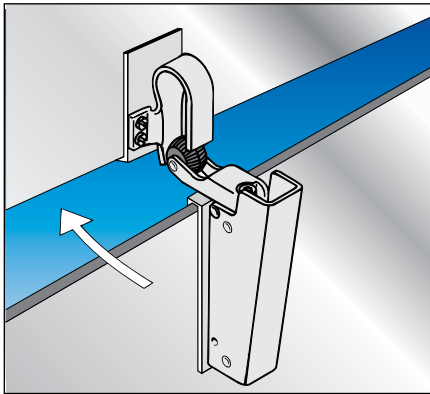


part no. 205231XL

### Order Information

**ATTENTION:**  
For fire protection doors mounting plates are mandatory.

Mounting plate for VS 2000 door check	part no. 205212
Mounting plate for V 1600 door check	part no. 205212
Mounting plate for V 1600 on fire doors without a rebate	part no. 205237
Mounting plate for H 1300 door check	part no. 205213
Mounting plate for VS 2000 hook	part no. 205232
Mounting plate for V 1600 and H 1300 hook	part no. 205231XL

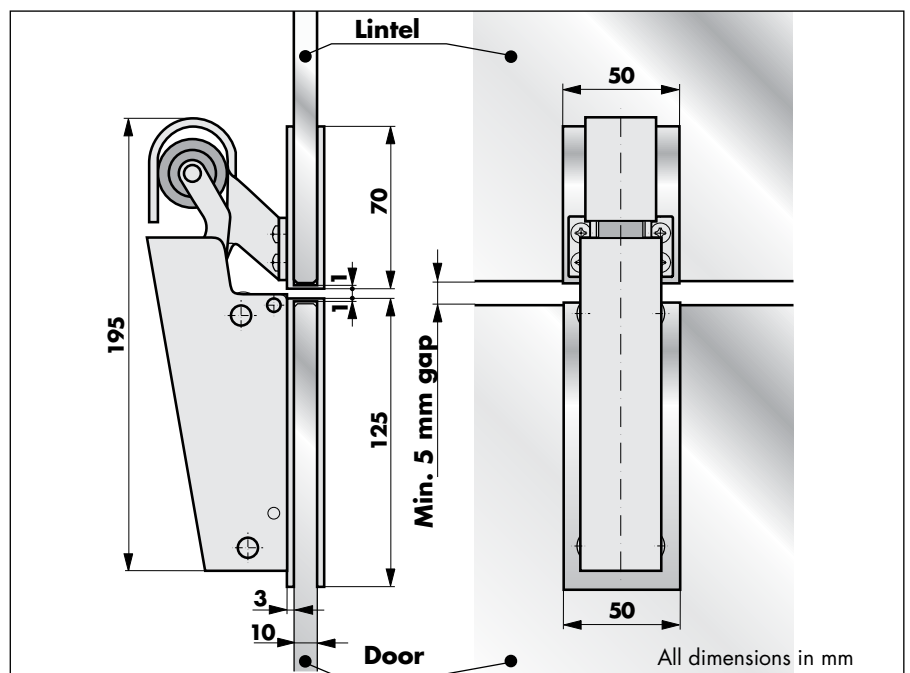


## U-Profile Mounting Bracket for Glass Doors

The U-profile mounting bracket enables the V1600 door check to be installed on glass doors. A U-profile mounting bracket is also available for the V1600 hook.

There are U-profiles designed to fit a 8, 10 or 12 mm thick glass door. Should you have another dimension please contact us. The U-profile for the door damper is made of **stainless steel** and is provided with all the necessary fixing holes and threads for the door check. The threads in the U-profile for the hook have to be made on site, as their position depends on the exact mounting position of the door check and the space between door and frame.

## Dimensions



## Installation

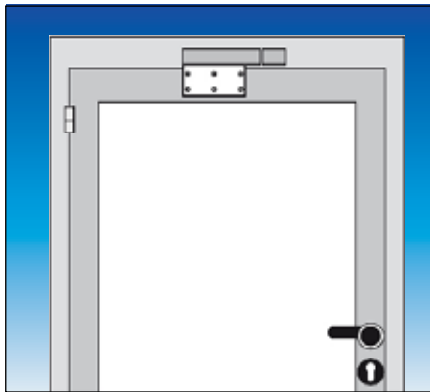
Fix the door check to the U-profile. Then fix this U-profile towards the middle of the glass door. Now the U-profile for the hook is slipped onto the frame exactly above the door damper in order to determine the position of the fixing holes for the hook. The height of the hook is correct when the rubber wheel of the operating lever only just touches the front edge of the hook when closing. If necessary line up the U-profile of the damper. When you have determined the position of the hook, mark the positions for the holes, drill and thread them (M5 threads).

Use **Loctite Fast Epoxy cement** to glue both U-profiles to the door/fanlight. Make sure the cement does not enter the fixing holes in the bracket. Now the hook is being fixed. The door check can be put into operation 4 hours later.

**Important:** The gap between door and frame/fanlight must be at least 5 mm.

## Order Information

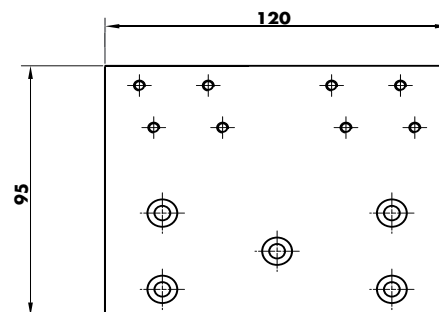
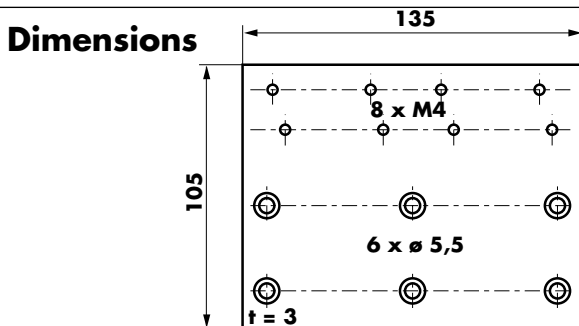
V 1600 U-profile mounting bracket for 8 mm thick glass	part no. 205265-08
V 1600 U-profile mounting bracket for 10 mm thick glass	part no. 205265-10
V 1600 U-profile mounting bracket for 12 mm thick glass	part no. 205265-12
U-profile mounting bracket for V1600 hook for 8 mm thick glass	part no. 205266-08
U-profile mounting bracket for V1600 hook for 10 mm thick glass	part no. 205266-10
U-profile mounting bracket for V1600 hook for 12 mm thick glass	part no. 205266-12



## Mounting Plates and Brackets for Horizontal Mounting

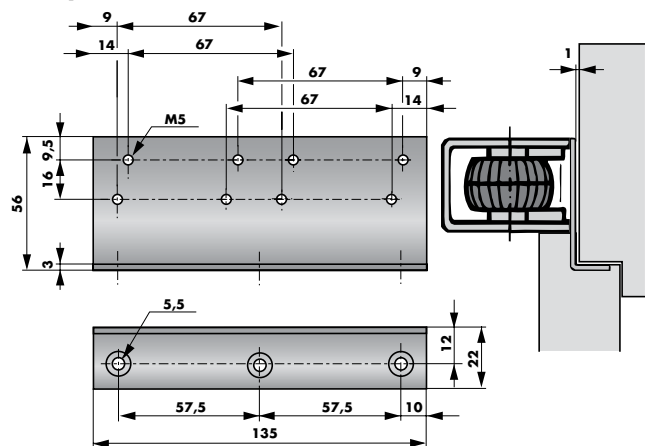
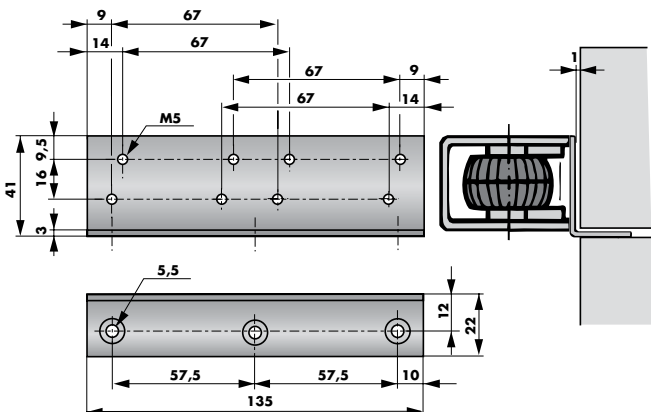
Using the mounting plates the door checks V 1600 and VS 2000 can be installed horizontally in the middle of the door. The mounting plates provide threaded holes for the fixing of the door checks. The hook is fixed directly to the frame.

For the VS 2000 there are also available mounting brackets. They are screwed more or less invisibly on the upper edge of the door. With wooden doors they usually are sunk. With steel doors you should make sure there is at least a gap of 4 mm between door and frame to allow the bracket to be installed without the door being jammed.



**Mounting plate for door check VS 2000, part no. 205279**

**Mounting plate for door check V 1600, part no. 205463**

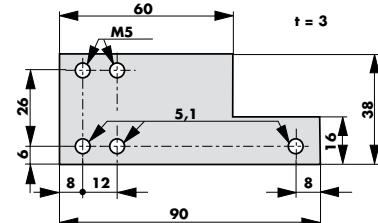


**Mounting bracket g for flush doors, part no. 205221**

**Mounting bracket a for overlapping doors, part no. 205220**

### Mounting plate for horizontal mounting of the hook 1020 for the VS 2000, part no. 205256

This mounting plate is used when the frame is not high enough to fix all bores of the horizontally mounted hook of the VS 2000. The additional 3rd fixing bore hole of the plate provides the necessary stability.



## Order Information

Mounting plate for horizontal mounting of VS 2000, zinc-plated	part no. 205279
Mounting plate for horizontal mounting of V 1600, AISI 304	part no. 205463
Mounting bracket a for horizontal mounting VS 2000, zinc-plated	part no. 205220
Mounting bracket g for horizontal mounting VS 2000, zinc-plated	part no. 205221
Mounting plate for horizontal mounting of hook 1020, zinc-plated	part no. 205256