

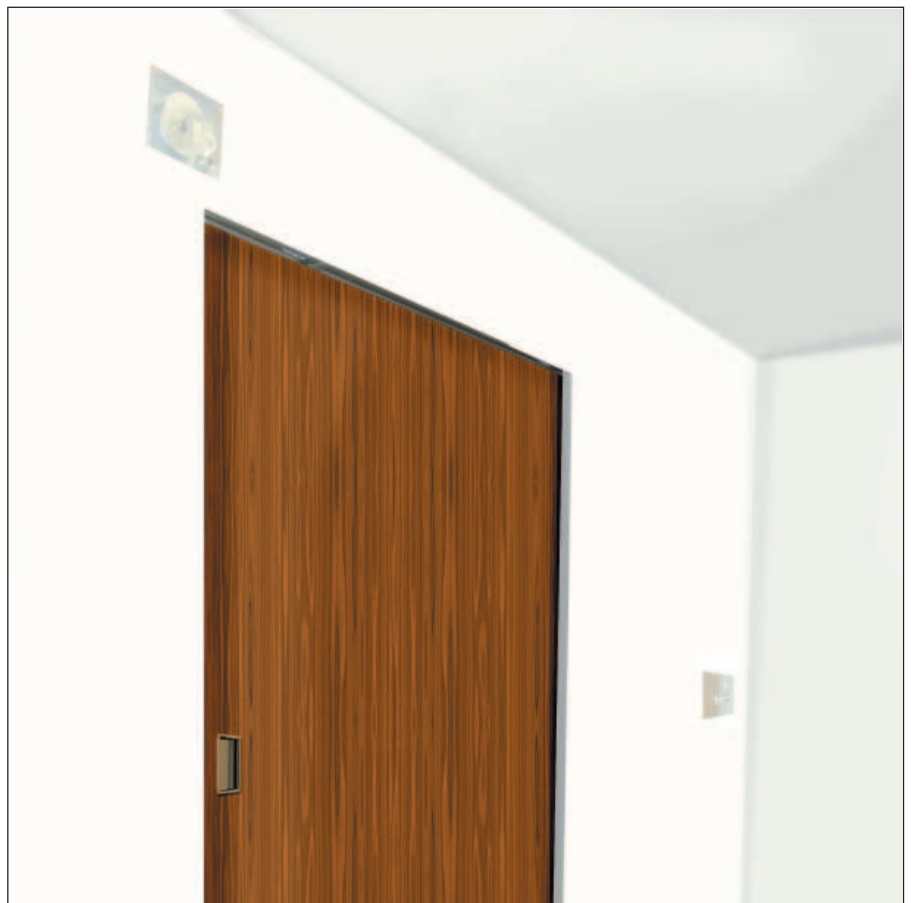
DICTATOR Solutions for Sliding Doors

Even moving small sliding doors may implicate quite a lot of requirements:

- The sliding door should close automatically, but an expensive door operator is not required as the door can manually be opened without effort.
- The sliding door moves so effortlessly that a slight push by hand is sufficient to make the door slam against the door frame. This may result in accidents, increased wear and tear of the door, noise and that the door does not stay either completely opened or closed.
- The door should completely disappear in a pocket of the wall, in order to have available the full width of the passage. But this way the door handle disappears as well and the door cannot be closed.

With DICTATOR products you can solve these problems. Combined in different ways the DICTATOR products allow for individual solutions that meet manifold requirements.

The products shown in this chapter are mainly designed for sliding doors up to about 1,50 m door width. For larger sliding doors DICTATOR offers similar solutions. They can be found in the chapter Door and Gate Operators.



Products

Closing mechanisms	DICTAMAT 50 (adjustable closing speed) spring rope pulley (closing without speed control)
Radial damper	controlled closing speed during the whole travel
Final dampers	damping the movement shortly before the final positions
Door checks	damping and controlled closing of the door
Release buffer	pushes the completely opened door out of the wall pocket
Mechanical timer	delays the beginning of the closing without current



Damping Systems for Sliding Doors

There are different possibilities to slow down the movement of a sliding door. DICTATOR damping systems can also be used without a closing device. They either control the speed during the whole closing or they prevent banging in the open or closed position. Further possibilities offer the DICTATOR door dampers, which also keep the door safely closed.

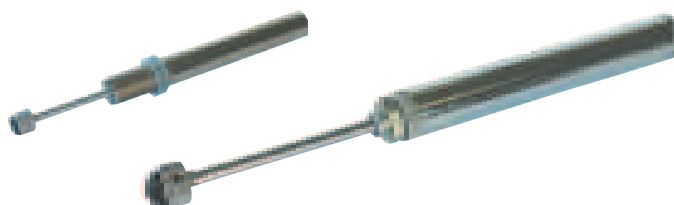
Radial Dampers

In case that the closing of the sliding door should be controlled **during the whole travel**, the LD 50 radial damper is the appropriate solution. The radial damper is integrated in the DICTAMAT 50 closing device, but it can also be installed separately. Information on the LD 50 and adapted accessories can be found beginning on page 02.057.00 and further details in the chapter Damping Engineering.



Final Dampers

In order to dampen the movement of sliding doors just before the **final positions** a final damper is the best solution. They are available in different sizes and types. For detailed information see the chapter Damping Engineering.

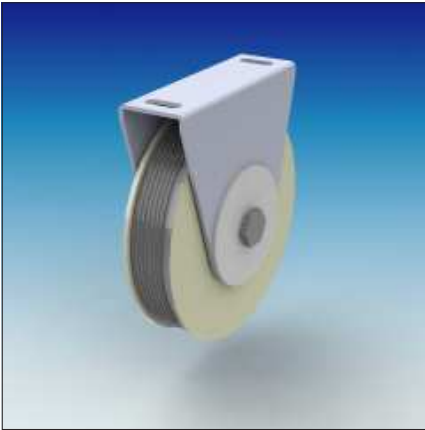


Door Checks



If the door should not only be **slowed down** but also **kept safely in the final position**, the DICTATOR door checks are the best choice. They contribute to environmental protection and energy saving. Often small sliding doors are moving that easily, that they are not slowed down in time, bang against the final position and reopen a little. Through this gap energy in form of heat or cold may get lost (e.g. with cold-stores). DICTATOR door dampers not only close the door gently and smoothly, but also keep it firmly closed.

There are several models for different sizes of doors. Please see pages 02.001.00 and following. Due to its small size the JUNIOR door check is nearly invisible when being built into the door leaf. We will be happy to assist you in choosing the appropriate door check.



Spring Rope Pulleys for the Closing of Sliding Doors

Spring rope pulleys are a simple, efficient and cost-effective closing device for sliding doors. During the opening of the door the spring is tensioned and then automatically pulls the sliding door back into the closed position. The closing force is adjustable (see following page), the closing force, however, is not controlled.

The casing of the spring rope pulley is of heat resistant plastics. Due to the guide grooves molded into the plastic casing the Kevlar rope is always coiled properly. This guarantees a very long operational life of the spring rope pulley.

Should the closing speed be controlled during the complete closing, we recommend to use the DICTAMAT 50 (see page 02.055.00 and following).

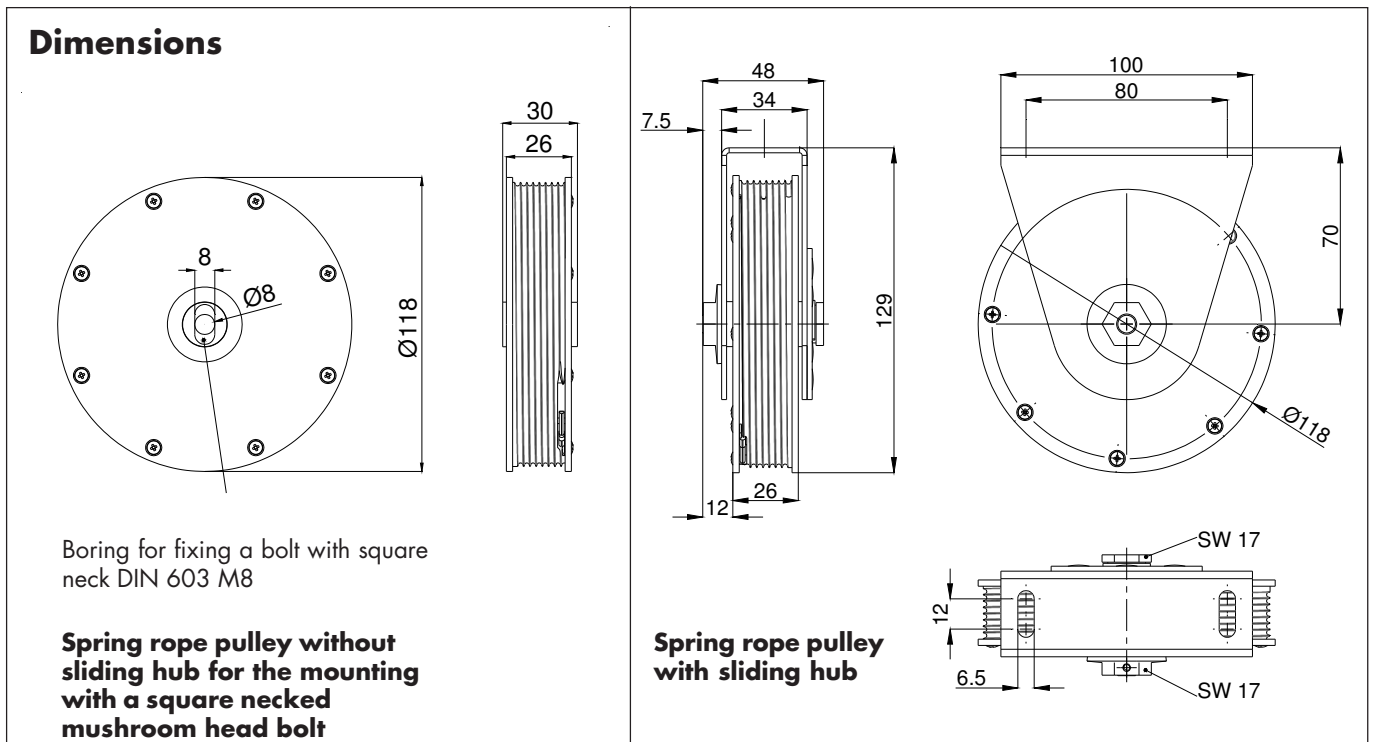
Models

There are different models of the spring rope pulleys.

- **Spring rope pulley with square on one side** to be mounted with a square necked mushroom head bolt DIN 603 M8
There is also available a model for an 8 mm through square.

- **Spring rope pulley with sliding hub and bracket**

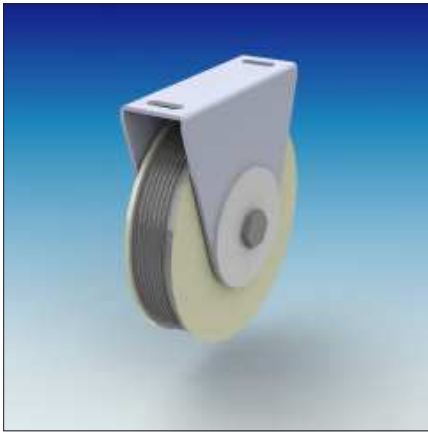
It is highly recommended to use this model as due to the tensioning screw it is very easy to tension and if necessary to release the spring. The model without sliding hub can easily be damaged, e.g. by letting go the rope by accident. The sliding hub prevents this. Furthermore the bracket allows for an easy and fast mounting.



Components Included

Spring rope pulley with square on one side: plastic casing with 2 m Kevlar rope

Spring rope pulley with sliding hub: bracket with plastic casing + 2 m Kevlar rope



Spring Rope Pulley - continuation

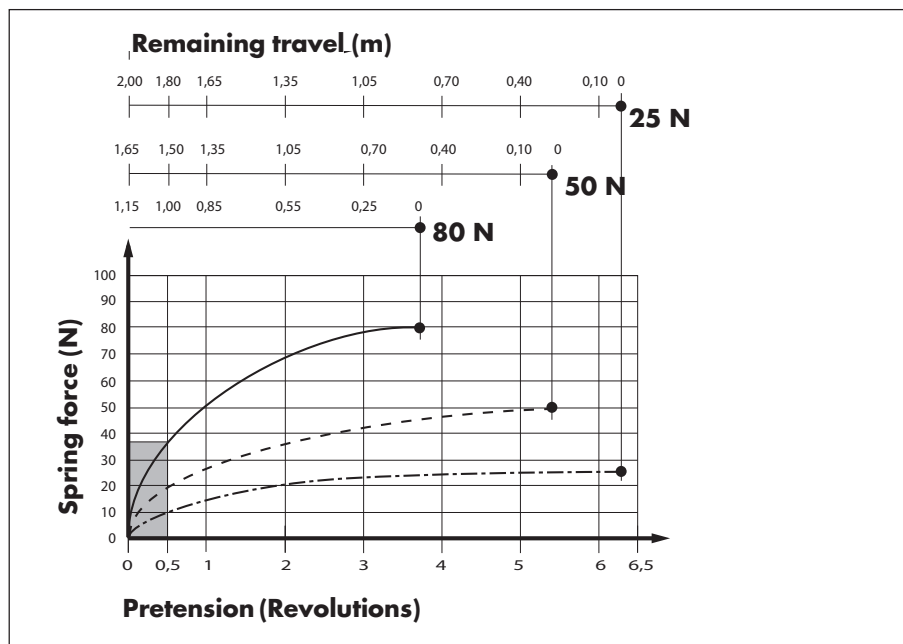
The spring rope pulley is available with three different forces: 25 N, 50 N and 80 N. The closing force can be adjusted by pretensioning the spring accordingly. However, pretensioning reduces the travel. Generally speaking: the higher the force of the spring rope pulley the shorter the travel.

The maximum possible travel of the respective spring force can be seen in the diagram below. **Example:** Spring rope pulley with 50 N spring, pretension 2 revolutions. The final closing force of the spring rope pulley will be (when the door is closed) about 38 N, the maximum possible travel is 1.05 meters. If the spring rope pulley is pretensioned less you get a longer travel but the final closing force will be minor.

Material

Component	Standard version	Rustless version
Bracket	zinc-plated sheet steel	AISI 304/316
Rope	flame retardant Kevlar rope with polyester coat	
Casing	flame retardant AQUAMID plastics	
Tensioning screw	zinc-plated and greased	
Sliding hub	zinc-plated and greased	

Force-Travel-Diagram



Order Information

Spring rope pulley 25 N for square necked mushroom head bolt	Part no. 070101
Spring rope pulley 50 N for square necked mushroom head bolt	Part no. 070091
Spring rope pulley 80 N for square necked mushroom head bolt	Part no. 070092
Spring rope pulley 25 N with sliding hub, bracket zinc-plated	Part no. 070102
Spring rope pulley 50 N with sliding hub, bracket zinc-plated	Part no. 070093
Spring rope pulley 80 N with sliding hub, bracket zinc-plated	Part no. 070094
Spring rope pulley 25 N with sliding hub, bracket AISI 304	Part no. 070103
Spring rope pulley 50 N with sliding hub, bracket AISI 304	Part no. 070098
Spring rope pulley 80 N with sliding hub, bracket AISI 304	Part no. 070099



Mechanical Timer

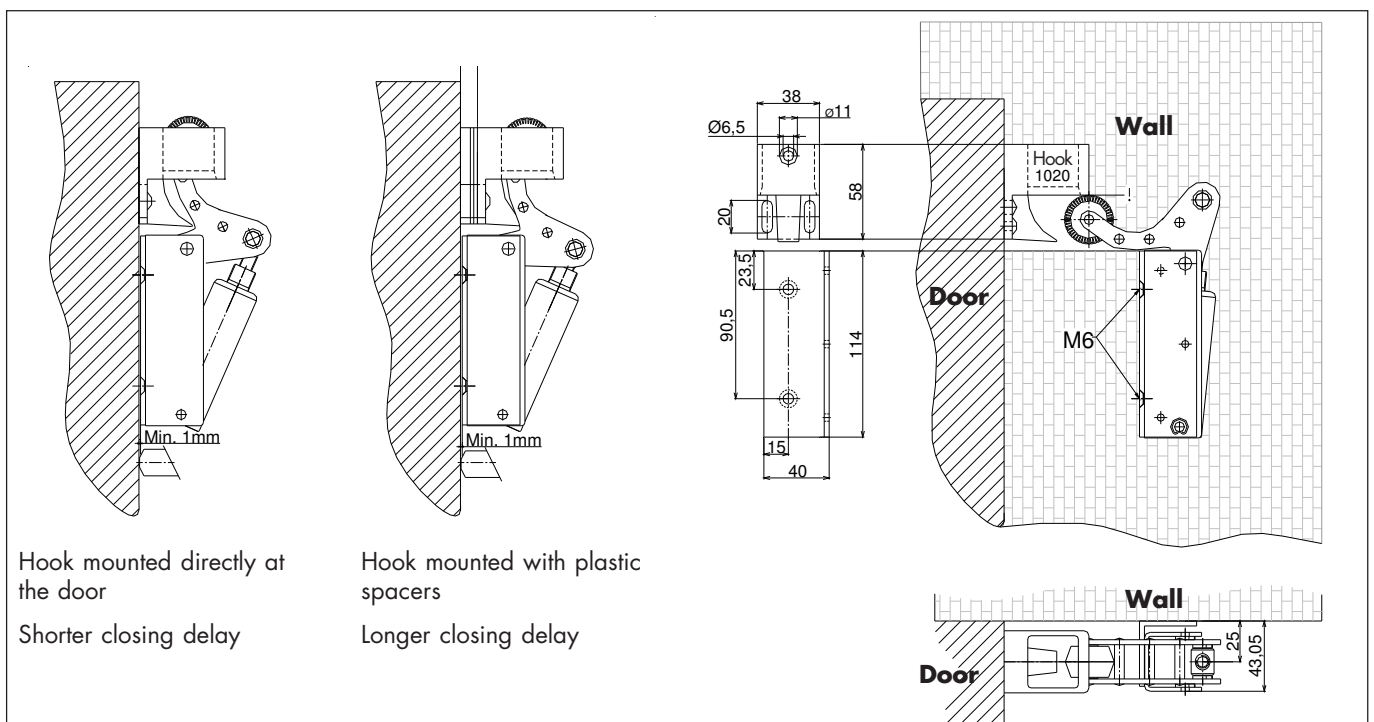
DICTATOR also offers a "currentless" solution for applications where the door should stay open for a short time before closing on its own. Especially in combination with the DICTATOR closing device DICTAMAT 50 this provides an ideal solution.

The mechanical timer bases on the hydraulic functional principle of the door checks, although with the opposite outcome: A valve in the cylinder limitates the rate of flow of the oil. This determines the time after which the roller lever is completely turned down again and thus no longer retained by the hook. The door can close again.

Installation, Functioning, Dimensions

Usually the mechanical timer is installed in the opening direction on the lateral wall with a mounting bracket, the hook at the rear of the door leaf.

The time of the closing delay is significantly determined by the force of the closing device. In addition it can be influenced by the positioning of the hook or by using a different number of plastic spacers (see left illustration below).



Hook mounted directly at the door
Shorter closing delay

Hook mounted with plastic spacers
Longer closing delay

Technical Data

Time delay with closing force 50 N	ca. 25 seconds*
Time delay with closing force 25 N	ca. 55 seconds*
Material casing	blue zinc-plated steel
Material hook	matt chromium-plated aluminium

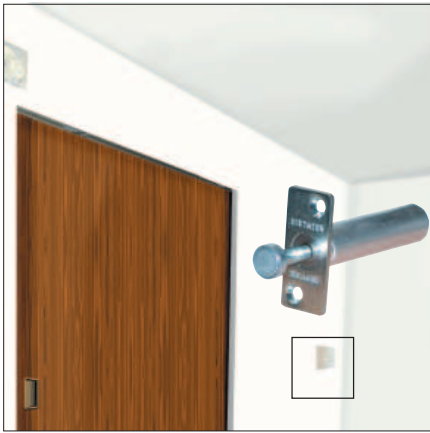
* Times valid at room temperature

Components Included

Mechanical timer, 1 hook 1020 with big hole, 3 plastic spacers for the hook, 1 mounting bracket, fixing screws for timber doors

Order Information

Mechanical timer	Part no. 500270
------------------	-----------------



Release Buffer

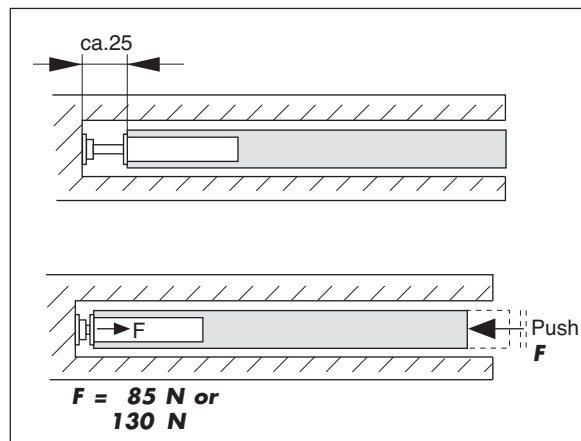
When sliding doors are opened they should possibly clear the passage completely. In case of pocket doors, where the door disappears in the wall, the door handle for closing the door by hand is no longer accessible.

In this case the DICTATOR release buffer is the ideal solution. It is mounted hidden either on the opening edge of the door or on the wall.

The release buffer is available with two different spring forces. Usually the type with 85 N will do. The stronger version should only be chosen if the door is not smooth-running, e.g. when a brush seal is mounted.

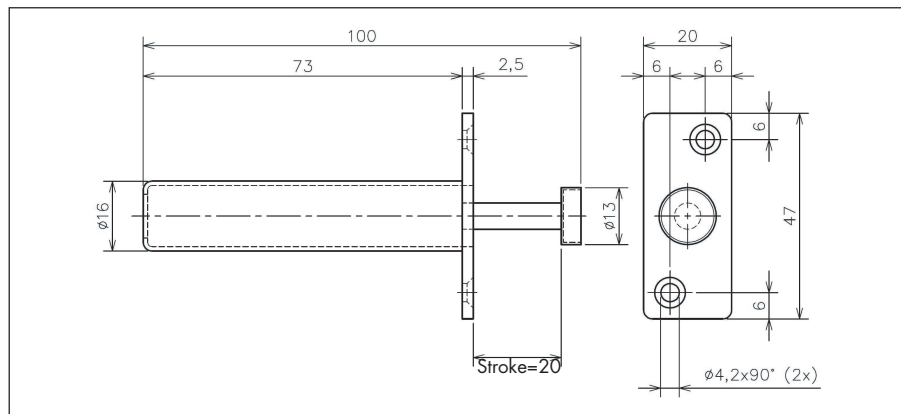
Installation, Functioning

The door can be opened completely, it disappears in the wall pocket and is kept there by the release buffer. If you want to close the door, you just have to push lightly against its edge. The piston rod of the release buffer is compressed and the integrated spring pushes the door out of the wall pocket at a maximum force of 85 N/130 N to make the door handle accessible.



In the wall pocket behind the opened door you only need a space of 25 mm for the buffer. At the end of the piston rod is a magnet that keeps the door safely in the opened position. If the door or frame is not made from metal, you have to install the included metal plate as a counter part.

Dimensions



Technical Data

Stroke	20 mm
Extension force	85 N / 130 N
Material casing and front plate	zinc-plated steel

Order Information

Release buffer with 85 N	Part no. 500260
Release buffer with 130 N	Part no. 500262