

## Closing Devices DICTAMAT 50 Series

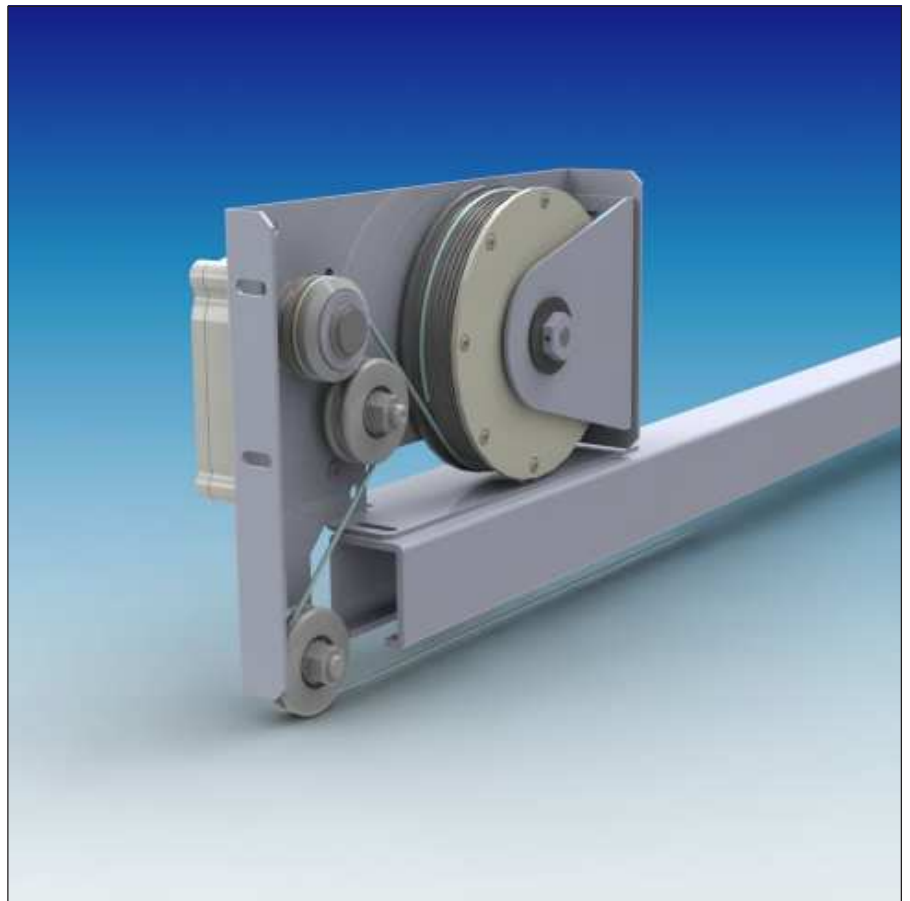
DICTATOR offers also for **small sliding doors** a reliable, mechanical closing device, the DICTAMAT 50.

One of its advantages is that both closing speed and force are exactly adjustable. The door is closed at a controlled speed over the whole travel. This means optimum protection both for people and material. And it also guarantees that the door closes completely and does not reopen a bit as it often happens when being closed manually.

There are available several executions of the DICTAMAT 50: compact units or a modular system which can be adapted to nearly any door situation.

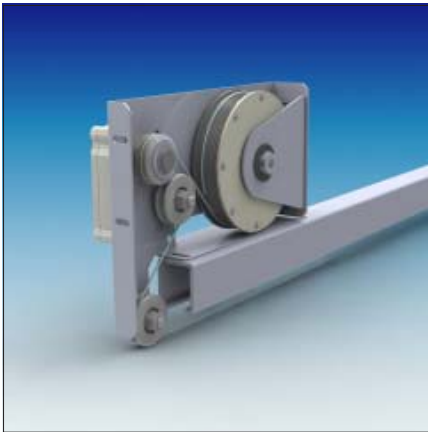
The DICTAMAT 50 can be used for sliding doors with one and two leaves. For double-leaf sliding doors, usually the execution with revolving rope is used. This facilitates the simultaneous moving of both leaves with only one DICTAMAT 50.

For its use e.g. on ships, in the food processing industry or in hospitals, the DICTAMAT 50 is also available from non-corroding material.



### Technical Data

Max. closing force	50 N (standard); 25 N, 80 N
Max. working travel	1.0 - 1.5 m (depending on pretension and strength of spring)
Pull rope	length 2 m, flame retardant plastic rope
Door weight	10 - 100 kg
Material	standard or completely rustless (see following pages)



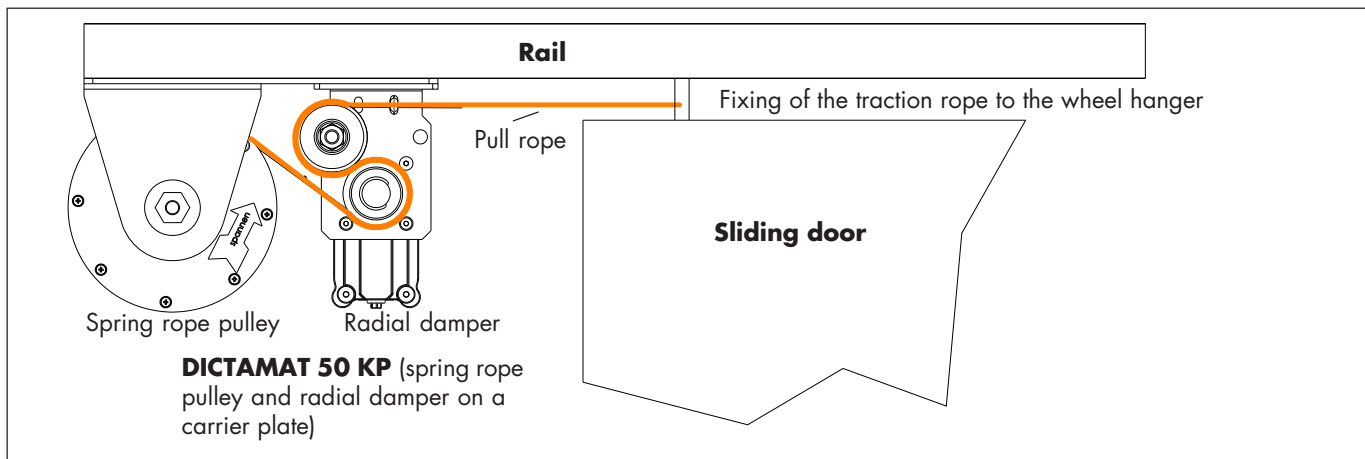
## DICTAMAT 50 Functional Principle - Overview

The DICTAMAT 50 has been designed as a closing device for sliding doors. It makes sure that they will reliably be closed. The closing speed can exactly be adapted to the requirements on site.

The main components of the DICTAMAT 50 are the spring rope pulley as closing device and the radial damper LD 50 for the controlling and adjusting of the closing speed. When opening the sliding door by hand, the spring of the spring rope pulley is tensioned. When releasing the door, the spring rope pulley closes the door by means of the pull rope. The rope is guided over the radial damper and therefore the door is closed with the speed adjusted on the radial damper.

The DICTAMAT 50 can be mounted to the most different rail systems. If necessary, specially adapted fixing accessories can be provided.

## Functional Principle



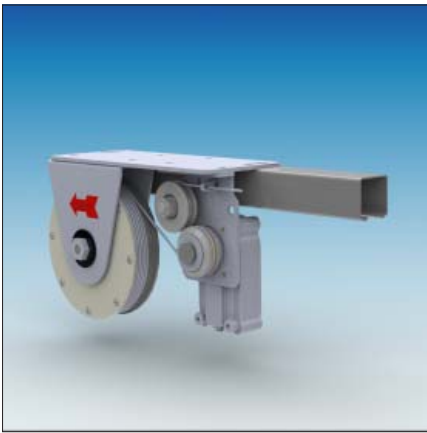
## Executions

- DICTAMAT 50 KP: Compact unit with carrier plate for the installation underneath the rail, with single pull rope. Suitable for one-leaf doors only.
- DICTAMAT 50 KW: Compact unit with carrier bracket for the installation on top of the rail, with single pull rope. Suitable for one-leaf doors only.
- DICTAMAT 50 BK: Modular system, consisting of single components with fixing brackets each and revolving rope with idler pulley. Can also be used for the simultaneous moving of double-leaf doors.

## Material of the Components

The DICTAMAT 50 is available from different material.

Component	Standard version	Rustless version
Carrier plate/bracket	zinc-plated sheet steel	AISI 304/AISI 316 stainless steel
Revolving rope	steel rope	AISI 304/AISI 316 stainless steel
Door actuator	zinc-plated sheet steel	AISI 304/AISI 316 stainless steel
Rope tensioner	zinc-plated sheet steel	AISI 304/AISI 316 stainless steel
Mounting bracket	zinc-plated sheet steel	AISI 304/AISI 316 stainless steel
Spring rope pulley	casing: flame retardant plastic AQUAMID tensioning screw and sliding hub zinc-plated and greased	
Rope spring r. pulley	flame retardant Kevlar rope with polyester coating	
Radial damper	casing: AQUAMID, rope pulley: aluminium with Vulkollan insert	
Idler pulleys	polyamide	



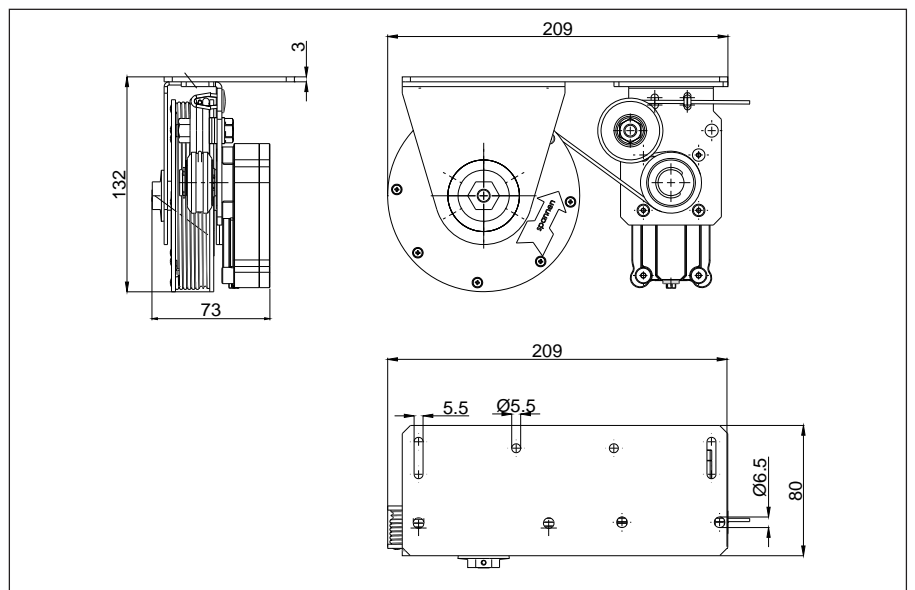
## DICTAMAT 50 KP - Compact Unit with Pull Rope

The DICTAMAT 50 KP has been designed for the installation underneath the rail. The carrier plate is directly fixed to the rail from below.

The spring rope pulley and the radial damper with pressure roll of the compact unit KP are mounted on a carrier plate. The pull rope of the spring rope pulley is guided over the rope pulley of the radial damper and then directly to the door leaf. The pressure roll on the radial damper ensures the rope to be always guided safely and that even with manual manipulations of the closing no malfunction can happen.

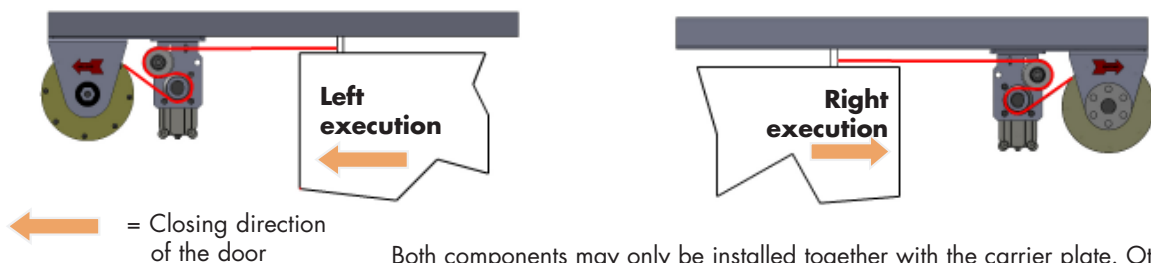
The DICTAMAT 50 KP is screwed either from above to the rail or fixed from below to or in the rail

## Dimensions



## Installation

Usually the DICTAMAT 50 KP is installed on the side of the door where it is in the closed position, as then the pull rope can directly be fixed to the door leaf. When ordering the compact unit DICTAMAT 50 KP you have to pay attention to the closing direction of the door (left or right). The above illustration shows the left execution for doors closing to the left.



Both components may only be installed together with the carrier plate. Otherwise there might be a malfunction due to a slack rope. In case there is not enough space for the compact unit, DICTATOR offers the DICTAMAT also as a modular system with revolving rope (see page 02.059.00 et sqq).

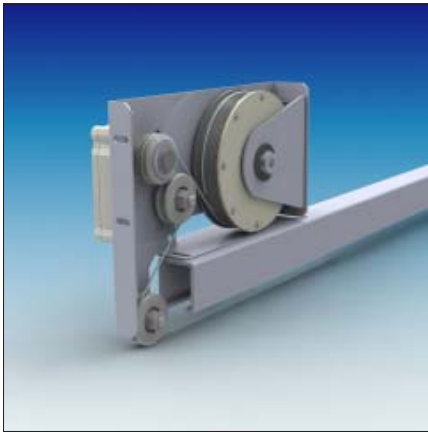
## Components Included

DICTAMAT 50 KP, consisting of carrier plate with spring rope pulley,  
2 m of plastic rope with eyelet, pressure roll, radial damper with rope pulley

## Accessories

Covers in different executions

on demand

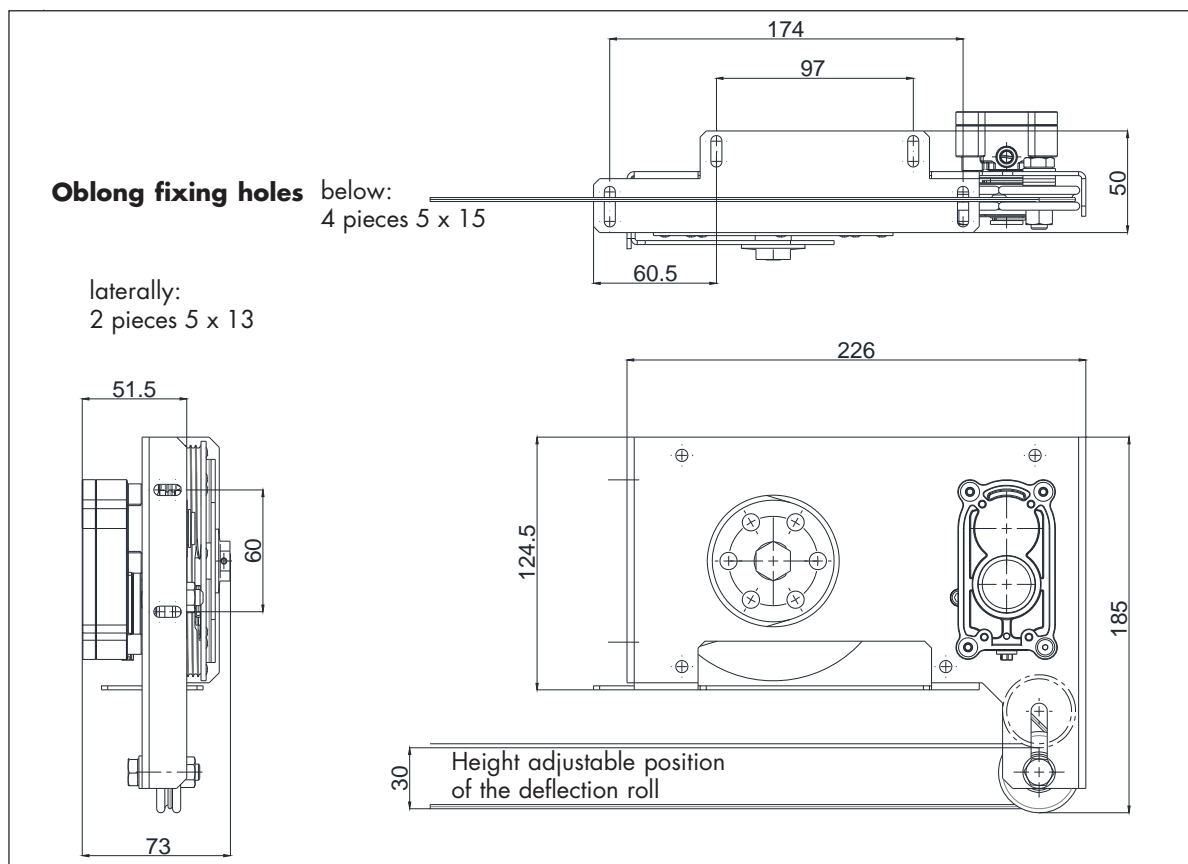


## DICTAMAT 50 KW - Compact Unit with Pull Rope

The DICTAMAT 50 KW is intended for the installation on top of the rail. An universal carrier bracket offers different fixing possibilities.

With the compact unit KW the spring rope pulley, the radial damper with pressure roll and a deflection roll for the rope of the spring rope pulley are mounted on the carrier bracket. The pull rope of the spring rope pulley runs over the rope pulley of the radial damper and the height adjustable deflection roll (regulating range: 30 mm) to the door leaf. The rope is always guided safely, and even with manual manipulations of the closing no malfunction can happen.

### Dimensions



### Installation

Usually the DICTAMAT 50 KW is installed on the side of the door where it is in the closed position, as then the pull rope can directly be fixed to the door leaf. The DICTAMAT 50 KW can be used, without converting, for right and left closing doors. The rope is guided either directly below or in the rail or alternatively parallel to the rail (see page 02.066.00).

Especially for its use together with the DICTATOR rail system for wall pockets (see page 02.065.00), there is available a supporting bracket which facilitates the mounting of the compact unit KW on the supporting system of the rail set.

### Components Included

DICTAMAT 50 KW, consisting of carrier bracket with spring rope pulley, 2 m of plastic rope with eyelet, pressure roll, radial damper with rope pulley, deflection roll

### Accessories

Supporting bracket for rail system Complete set for wall pockets



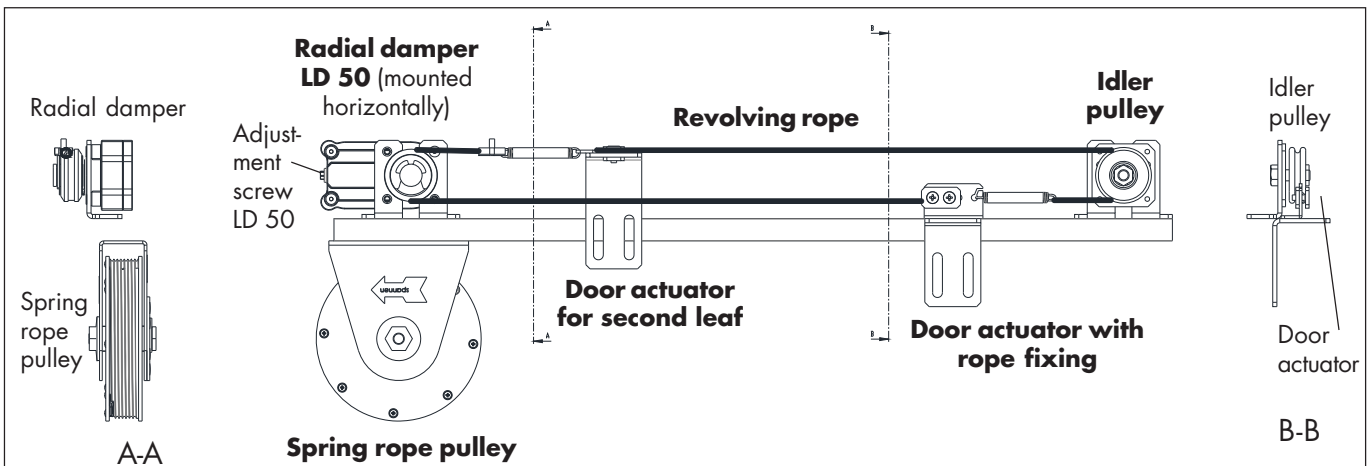
## DICTAMAT 50 BK - Modular System with Revolving Rope

The DICTAMAT 50 BK is always used if a compact unit cannot be installed because of too little space, if the sliding door has two leaves to be moved simultaneously, or when special executions are necessary. The revolving rope always provides a secure and reliable function. Therefore, the single components of this execution can be installed separately, without running the danger of a malfunction. With the DICTAMAT BK the rope is usually connected directly to the wheel hanger.

Spring rope pulley, radial damper and idler pulley are supplied with the mounting accessories that facilitate the fixing directly to the rail or the ceiling. On demand, there are also available special mounting accessories for the fixing to the wall.

### Installation Example DICTAMAT 50 BK

The drawing shows an installation example of the DICTAMAT 50 BK (see next page for further details and the dimensions).

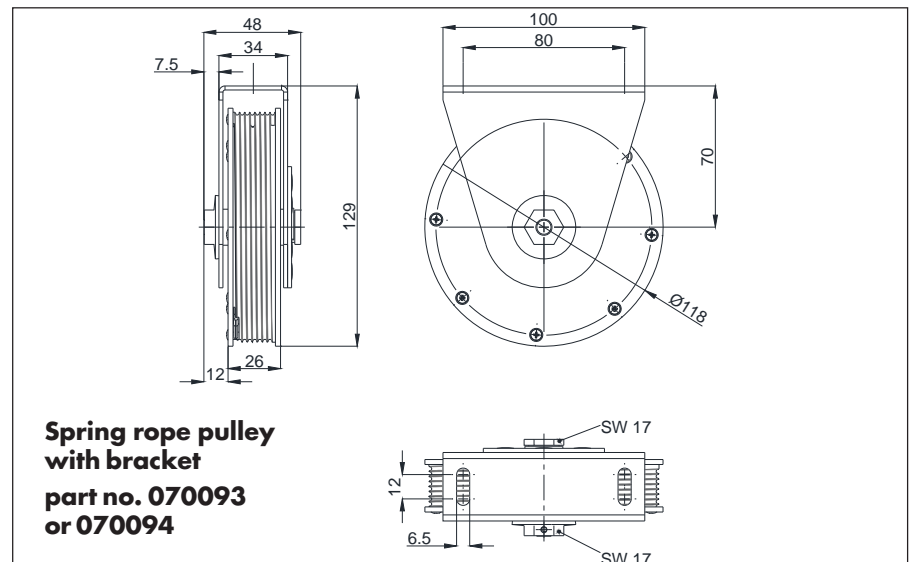


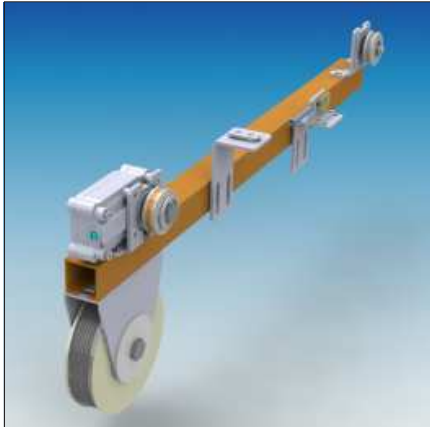
### Components DICTAMAT 50 BK

- Spring rope pulley with bracket and plastic rope
- Radial damper LD 50 with mounting bracket set
- Idler pulley with mounting bracket set
- 8 m steel rope  $\varnothing$  2 mm (revolving rope)
- Door actuator and rope tensioner with bracket

For double-leaf doors an additional actuator for the second leaf has to be ordered .

### Dimensions Components DICTAMAT 50 BK





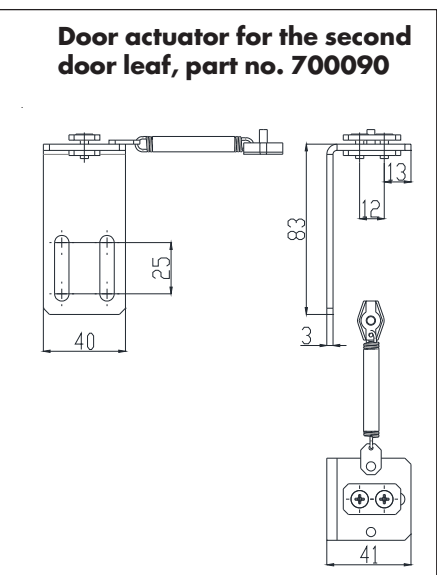
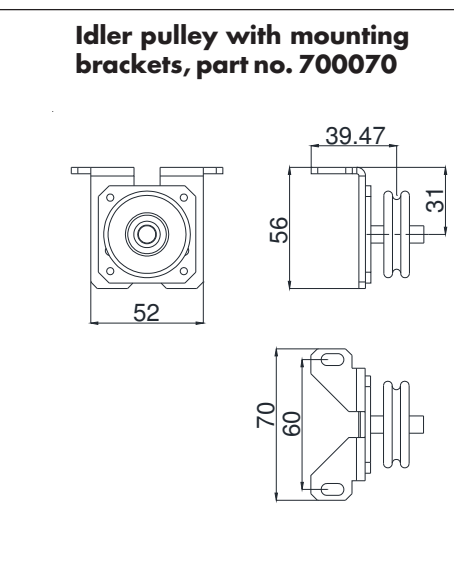
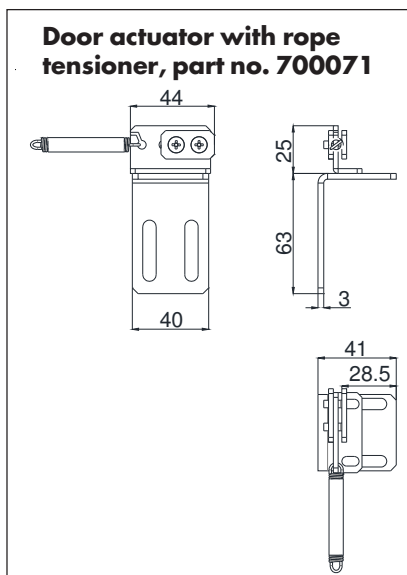
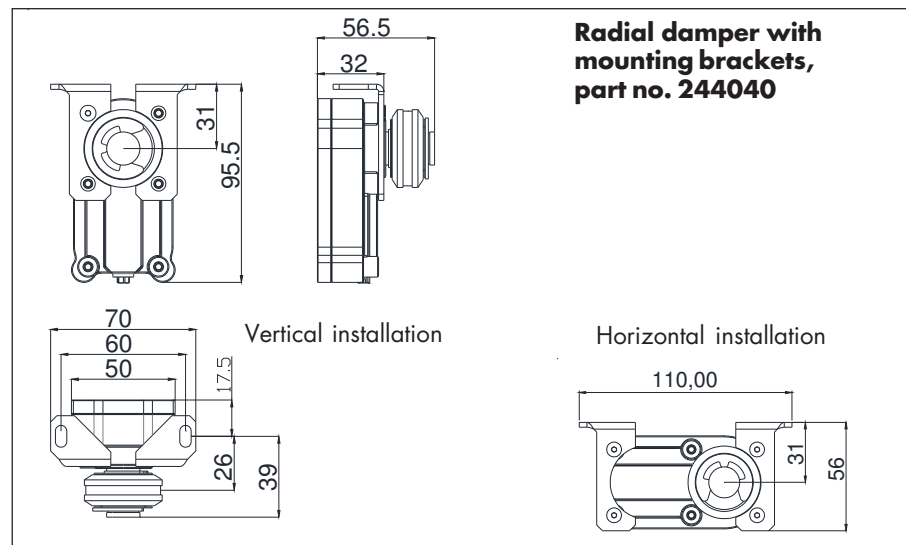
**DICTAMAT 50 BK - continuation**

Depending on the available space, the components of the modular system can be installed at different positions. For designers, there are nearly no limits to develop own object-specific solutions. Of course, DICTATOR will be happy to assist you in realising your ideas.

The mounting bracket set of the radial damper LD 50 allows for horizontal and also vertical mounting. This gives the most flexibility. In addition, for the radial damper and the idler pulley there are available adaptor plates which facilitate an easy mounting of the respective component to the most different rails and positions.

When choosing the mounting position of the LD 50, you should consider besides the available space the accessibility of the regulation screw for later adjustments.

**Dimensions Components DICTAMAT 50 BK - continuation**

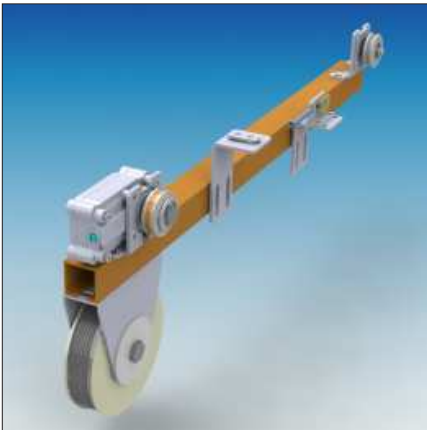


**Components Included**

Spring rope pulley with bracket and plastic rope, radial damper LD 50 with mounting bracket set, idler pulley with mounting bracket set, 8 m steel rope Ø 2 mm (revolving rope), door actuator with rope tensioner

**Accessories**

Door actuator for second door leaf with additional compensation spring and rope clip  
Adaptor plates and brackets for radial damper LD 50 and idler pulley



## DICTAMAT 50 - Order Information

In the following is listed just the stock program available on short notice.

On demand, there can be provided further special executions, e.g. with components of the AISI 316 stainless steel. Furthermore, there can be produced executions of fixing accessories adapted especially to the respective rail system.

DICTATOR also offers a free of charge technical advisory service to support you in developing object related solutions. If required the corresponding drawings of the components are available in different formats.

## Order Information

### DICTAMAT 50 KP, compact unit with carrier plate

DICTAMAT 50 KP, 50 N, left	part no. 700082
DICTAMAT 50 KP, 50 N, left, rustless	part no. 700087
DICTAMAT 50 KP, 50 N, right	part no. 700093
DICTAMAT 50 KP, 50 N, right, rustless	part no. 700094

### DICTAMAT 50 KW, compact unit with carrier bracket

DICTAMAT 50 KW, 50 N	part no. 700083
DICTAMAT 50 KW, 50 N, rustless	part no. 700088

### Accessories for the KW compact unit

Supporting bracket for DICTAMAT 50 KW for the rail system "Complete set for wall pockets"	part no. 700092
---	-----------------

### DICTAMAT 50 BK, modular system

DICTAMAT 50 BK, 50 N	part no. 700080
DICTAMAT 50 BK, 80 N	part no. 700081
DICTAMAT 50 BK, 50 N, rustless	part no. 700085
DICTAMAT 50 BK, 80 N, rustless	part no. 700086

### Accessories for the modular system

Door actuator for second door leaf, zinc-plated steel with compensation spring and rope clip	part no. 700090
Door actuator for second door leaf, AISI 304 stainless steel with compensation spring and rope clip	part no. 700091
Adaptor plate 75 x 80 mm, zinc-plated	part no. 244050
Adaptor bracket 70 x 25 x 40 mm, zinc-plated	part no. 244051
Adaptor plate 75 x 80 mm, AISI 304 stainless steel	part no. 244052
Adaptor bracket 70 x 25 x 40 mm, AISI 304 stainless steel	part no. 244053

The components of the modular system are also separately available. In case of need please contact us.

Our technicians would be happy to design special variants for your applications.



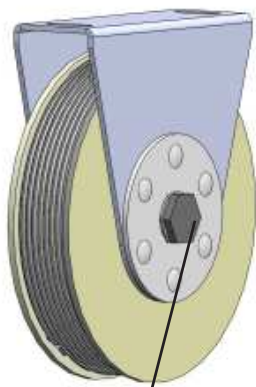
### Technical Information on the DICTAMAT 50

The DICTAMAT 50 is usually delivered with a closing force of 50 N. But it is also available with a spring of 25 N or 80 N. The actual closing force can be adapted by pretensioning the spring rope pulley accordingly. The more the spring is pretensioned, the shorter the available travel becomes (see schema below).

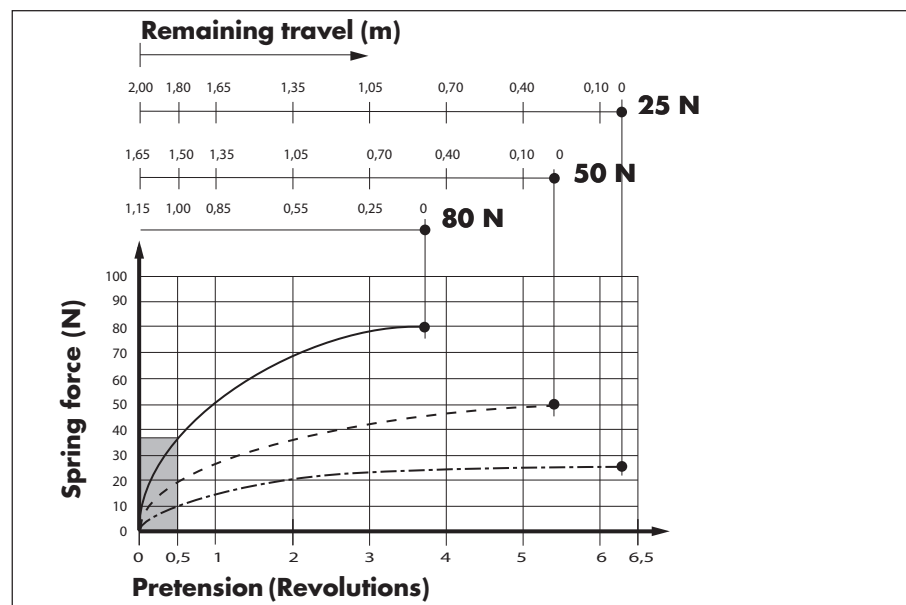
The spring rope pulley of the DICTAMAT 50 is equipped with a sliding hub. This allows to reduce the pretension of the spring without the danger of damaging the spring.

The continuous adjusting of the closing speed is realised by adjusting the damping force of the radial damper (see the diagram at the bottom).

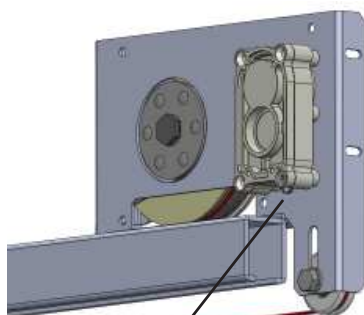
### Closing Force/Travel



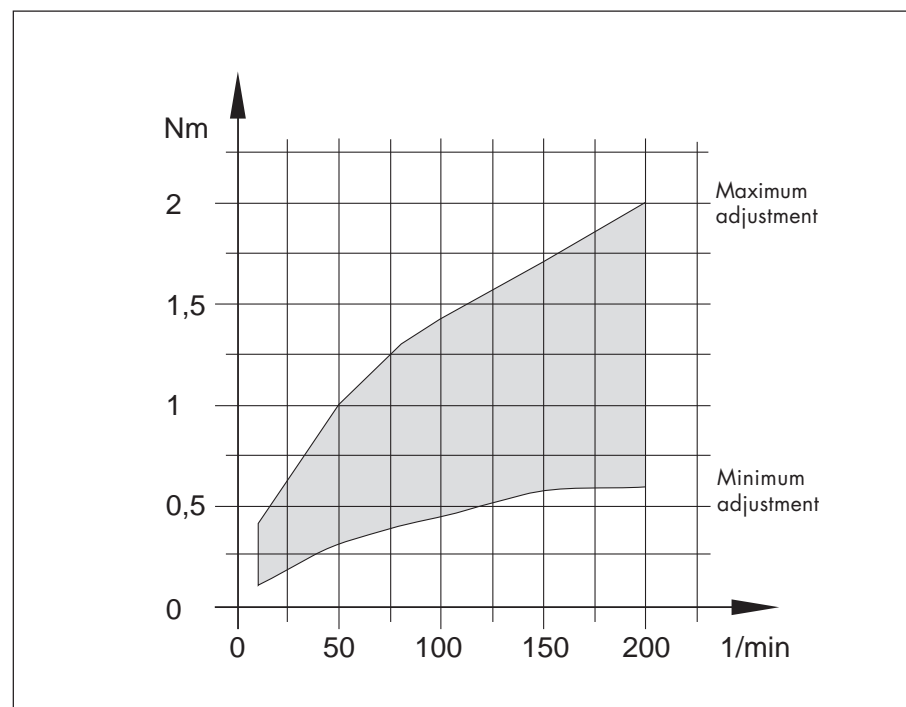
Adjusting of the closing force (from both sides, SW 17)

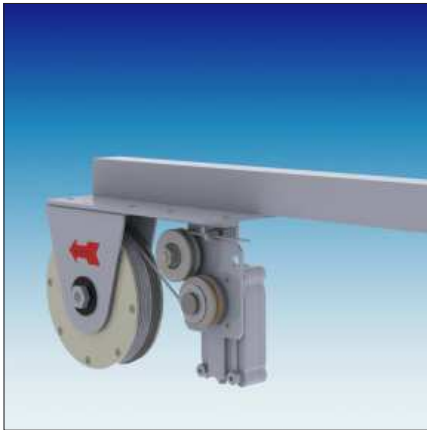


### Damping force



Adjusting of the damping force (slotted hexagon screw)





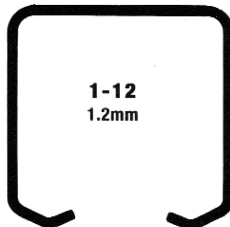
## Rail Sets for the DICTAMAT 50

As accessories for the DICTAMAT 50 there are available complete rail sets.

They are especially designed for sliding doors up to 100 kg. There exist two completely different types of sets:

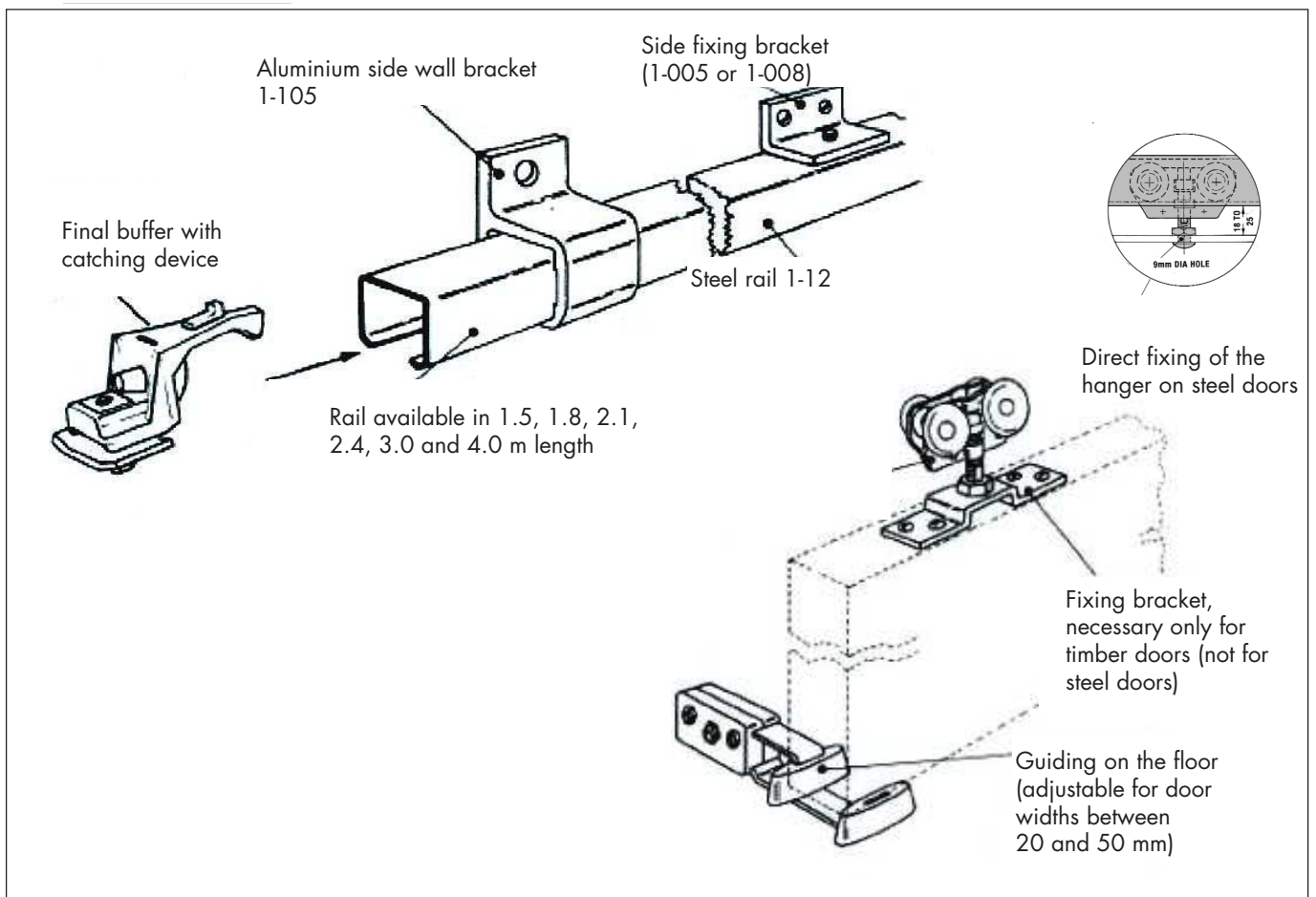
- Rail with wheel hanger and accessories for the free mounting to the wall or ceiling (see below)
- Assembly set for a wall pocket (hidden mounting) complete with rail, wheel hanger and accessories (see page 02.065.00)

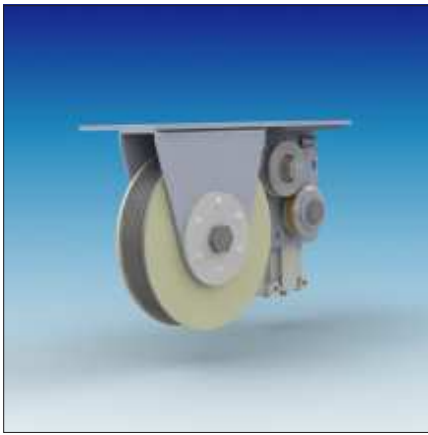
## Rail Set with Wheel Hanger



For one sliding door you need:

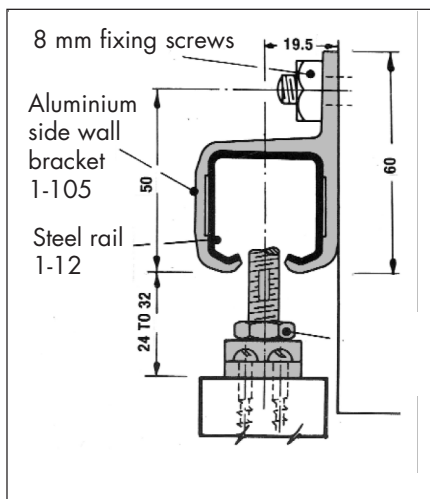
- Rail type 100 1-12 in the corresponding length  
By default the rail is available in the following lengths: 1.5 m, 1.8 m, 2.1 m, 2.4 m, 3.0 m, 4.0 m. Other lengths are available on demand.
- Components set 100-010 consisting of:
  - 2 wheel hangers for timber or metal doors (adjustable)
  - 2 final buffers with catching device
  - 1 guiding for the sliding door
- If required a set of side fixing brackets.  
There are available two different sets, according to the length of the rail.





## Rail Set with Wheel Hanger - cont.

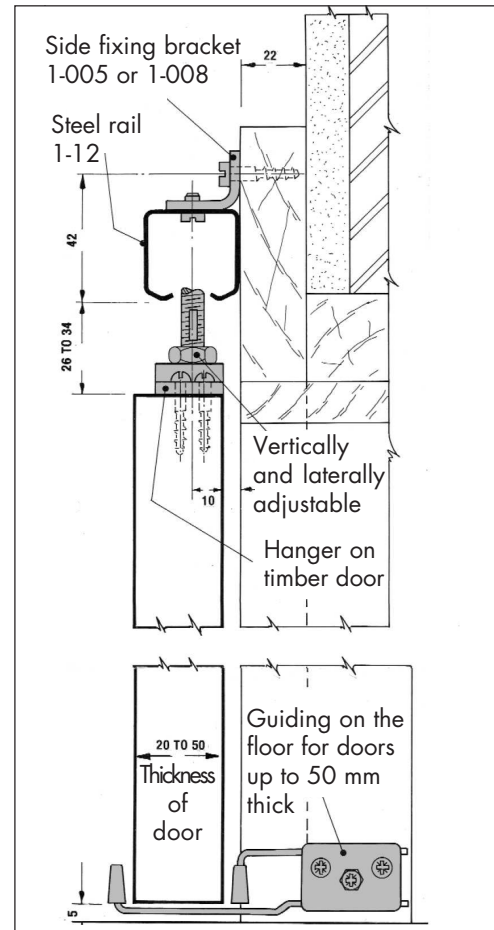
### Accessories



The rail is provided with bores to allow for its fixing directly to the ceiling (rails up to 2.1 m have 5 bores each, rails of 2.4, 3 and 4 m have 8 bores).

Should the fixing to the ceiling not be possible, there are additional side fixing brackets available. Depending on the length of the rail the kit contains 5 or 8 brackets.

In case two rails have to be assembled because the maximum length of 4 m is not sufficient, the aluminium side wall bracket (1-105) is used on the joint.



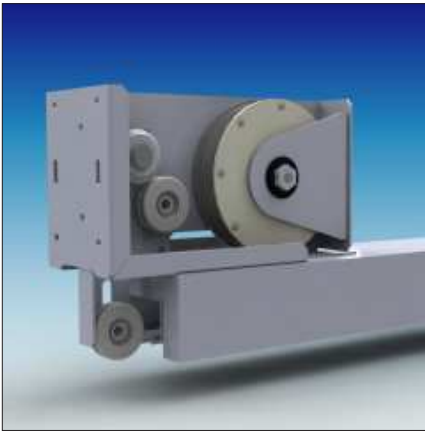
### Technical Data

Max. door weight	100 kg
Max. door height	2.5 m
Door thickness	20 - 50 mm
Material	zinc-plated steel (aluminium or stainless steel on demand)

### Order Information Rail Set with Wheel Hanger

Rail type 1-12, length 1.5 m	part no. 1-12-15
Rail type 1-12, length 1.8 m	part no. 1-12-18
Rail type 1-12, length 2.1 m	part no. 1-12-21
Rail type 1-12, length 2.4 m	part no. 1-12-24
Rail type 1-12, length 3.0 m	part no. 1-12-30
Rail type 1-12, length 4.0 m	part no. 1-12-40
Components kit 100-010 for one-leafed doors	part no. 100-010
Kit of side fixing brackets (5 pieces up to 2.1 m)	part no. 1-005
Kit of side fixing brackets (8 pieces up to 4 m)	part no. 1-008
Aluminium side wall bracket to join two rails	part no. 1-105
Closed end piece for Straightaway 100 track (pair)	part no. 1-007

Further components on demand, e.g. different floor guidings



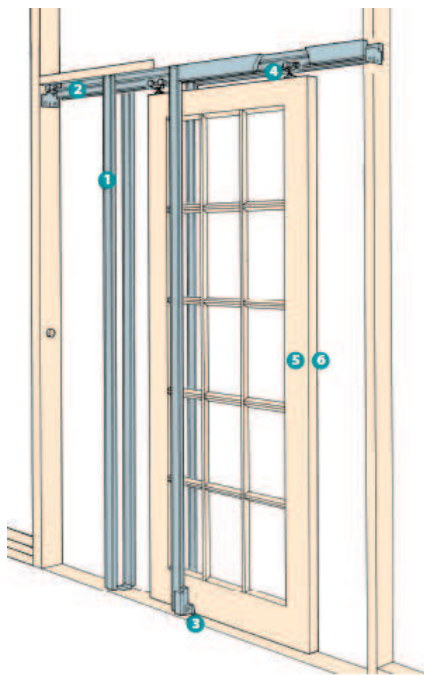
## Rail Sets for the DICTAMAT 50 - Complete Set for Wall Pockets

The complete set for wall pockets makes it easy to let disappear open sliding doors in the wall. The set includes the rail with accessories and the complete studs for building the wall pocket. After the installation the stud construction has to be lined with panels to be provided by the customer.

The unique hanger locking clip allows exceptionally easy fitting and removal of the door from the hanger. The stud foot brackets compensate unevenness of the floor.

Together with the complete set for wall pockets, always the DICTAMAT 50 KW should be used (see next page).

### Complete Set for Wall Pockets



The complete set consists of the following components:

- 1 header assembly complete with rail (for lengths see table)
- 1 kit of wheel hangers for timber or metal doors (adjustable)
- 1 rubber door stop
- 2 nylon door guides
- 4/6/8 steel cased studs (depending on door width )
- 2/3/4 stud foot brackets (depending on door width)
- 1 adaptor kit for door thickness from 35 - 44 mm (exception H60B)

The complete set is available in different layouts, depending on the dimensions and the weight of the door.

Part no.	Max. door width mm	Max. door height mm	Max. door thickness mm	Max. door weight kg	Total frame length mm	Number studs/ foot brackets
H30	760	2032	35/44	56	1548	4 / 2
H36	915	2032	35/44	56	1853	4 / 2
H42	1067	2032	35/44	56	2158	6 / 3
H42A	1067	2743	35/44	90	2158	6 / 3
H48A	1219	2743	35/44	90	2767	6 / 3
H54	1371	2743	35/44	90	2767	8 / 4
H48I	1219	2438	35/44	136	2462	6 / 3
H60B	1524	2743	75	90	3071	8 / 4

**Finished thickness of the complete element** (without wall boards!):

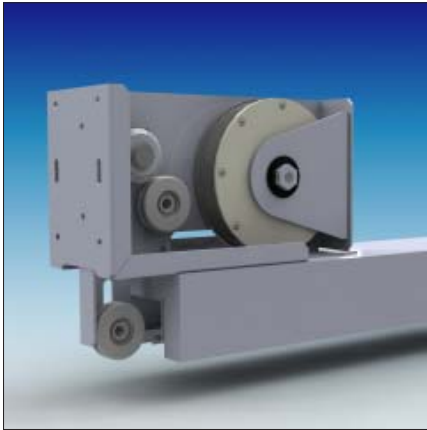
90 mm, or when using the adaptor kit: 95 mm

Exception: H60B => 140 mm

On demand there are also available complete sets for wider and thicker doors. For two-leafed sliding doors you will need two complete sets and the joining kit for two-leafed doors.

### Order Information Rail Sets

Complete set for wall pockets	part no. see table
Joining kit for two-leafed doors	part no. 61-600

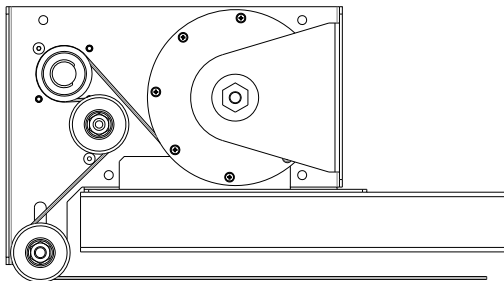


**Mounting Examples for the DICTAMAT 50 KW**

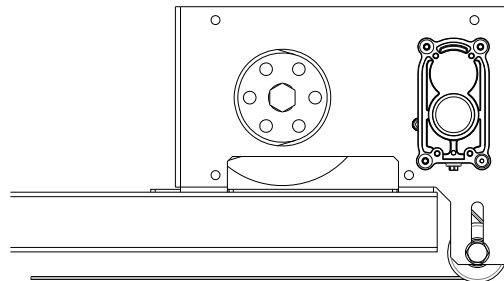
Due to its sophisticated construction the compact unit KW offers a lot of different installation possibilities. The following illustrations just show a small choice of the thinkable mounting options.

With the help of the supporting bracket being available as accessories, it's no problem to mount the DICTAMAT 50 KW directly above the frame of the rail set. That makes the mounting very easy. The drawings on the left and the very bottom show this variant and the corresponding dimensions.

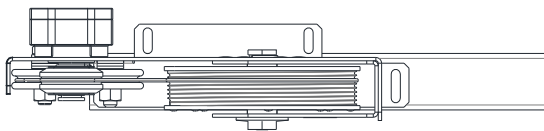
**Mounting Example DICTAMAT 50 KW**



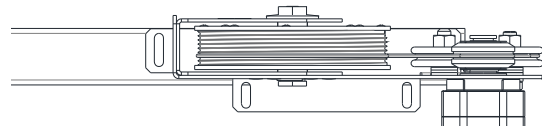
DICTAMAT 50 KW installed at the left, door closes to the left



DICTAMAT 50 KW installed at the right, door closes to the right



Rope runs in centre below the rail



Rope runs in front of the rail

**Dimensions of DICTAMAT 50 KW including the supporting bracket at the complete set for wall pockets**

