

Solutions for Swing Doors

Technical Data/Overview

Thickness of the Doors:

HAWGOOD 4000:

19 – 24 mm

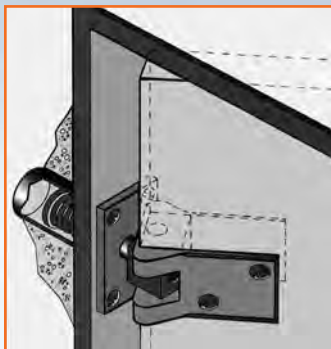
HAWGOOD 4500:

25 – 30 mm

HAWGOOD 40K/41K and

HAWGOOD 41/42:

40 mm



Maximum Dimensions of Doors:

4000/4500: Height 2.0 m, width 0.7 m, weight 26 kg

40K/41K: Height 2.0 m, width 1.0 m, weight 40 kg

41/42: By using several swing door hinges on one door leaf you can also use on very large doors.

Opening Angle: maximum 100°

Hold-Open at 90°:

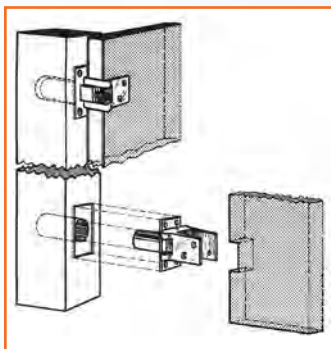
4000/4500 and 40K/41K: hold-open is standard

41/42: with or without hold-open

Installation/Mounting

To insert the spring tube you have to drill a hole into the frame. For the mounting plate you have to provide an appropriate sink in the frame. The shoe of the swing door hinge is fixed in a provided sink on the door.

On request DICTATOR swing door hinges are also available in customised versions, e.g. for installation on round posts. We would be happy to develop an individual solution for your application.



Special Solutions are our 'Speciality'



Lift Equipment



Access Control Systems



Door and Gate Operators



Fire Door Operators



Fire Door Control Solutions

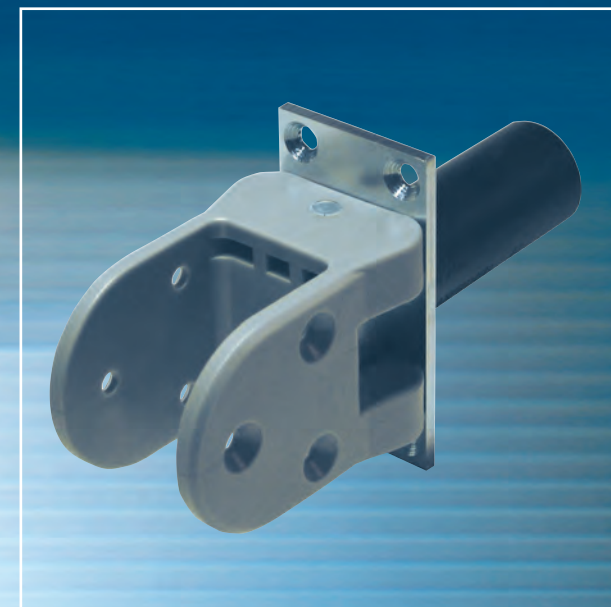


Damping Engineering



Gas Spring Technology

DICTATOR



Solutions for Swing Doors



75
Years of
Experience

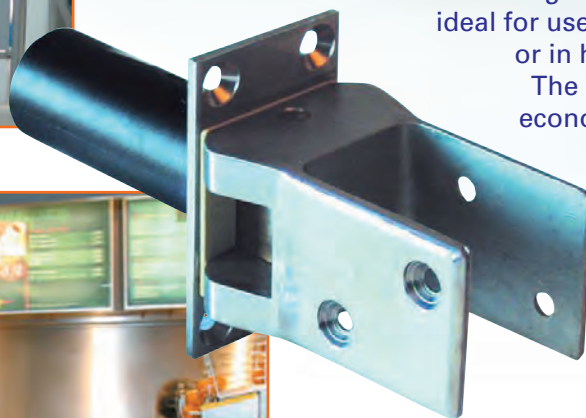
HAWGOOD Swing Door Hinges

Solutions for Swing Doors

DICTATOR provides not only the safe and controlled closing of hinged and sliding doors but also of big and small swing doors. Only a short snap through and the door is closed again. This also minimises the often annoying noise. The next user can open the door without having to wait until it has stopped swinging or without running the risk of being hit by the door or flap.

Types and Designs

DICTATOR provides the HAWGOOD swing door hinges in different sizes and with different spring forces. They can be used everywhere: on the smallest counter flaps, on large, heavily used doors, swing doors in truck superstructures or in machines. Different surfaces or materials meet visual requirements (the stainless steel versions are solid stainless steel, and nickel or zinc-plated versions are just for appearance) as well as demands for completely non-corroding or very economic versions. Of course all these types offer the same quality and durability.

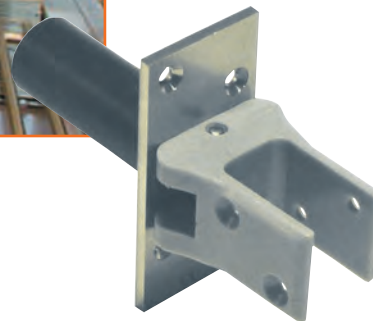
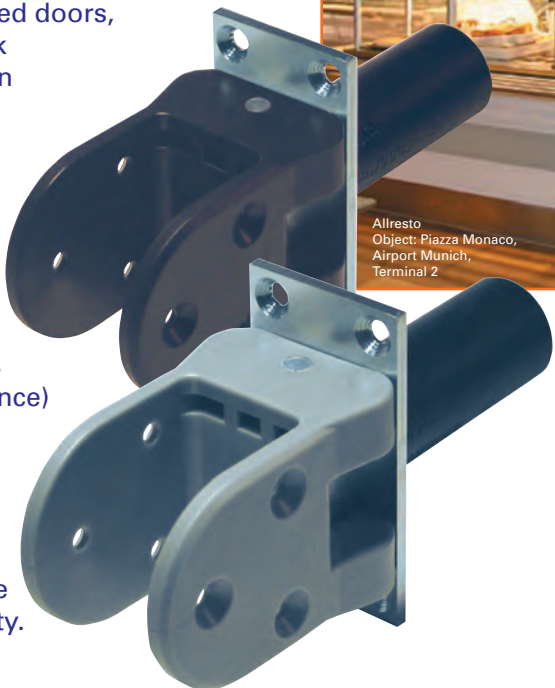


HAWGOOD Series 40K/41K and 41/42

The swing door hinges of the series 41/42 (different springs, same dimensions) are designed for doors up to a thickness of 40 mm and a weight of 100 kg. These are also available in stainless steel or non-rusting material making them ideal for use in the food industry or in humid surroundings. The series 40K/41K is the economic alternative with a shoe from self-lubricating plastics (see illustration at the bottom left). It can be used for doors of the same thickness but weighing less.



Allresto
Object: Piazza Monaco,
Airport Munich,
Terminal 2



HAWGOOD Series 4000/4500

The DICTATOR HAWGOOD swing door hinges 4000/4500 are used on smaller doors up to 30 mm thick. Usually these are on swinging flaps, saloon doors and lightweight doors. The shoes are made from self-lubricating, light grey plastics or from brass (brushed or nickel-plated).

Optimum Functionality

To offer even higher comfort, DICTATOR HAWGOOD swing door hinges can be held open at 90°. Due to the special design of the shoe not only the opening stays as large as possible but also the gap between door and frame is minimised. In addition the swing door hinge keeps the door safely closed in the home position.

The swing door hinges 4000/4500 are available with one or two springs and all incorporate a hold-open at 90°.