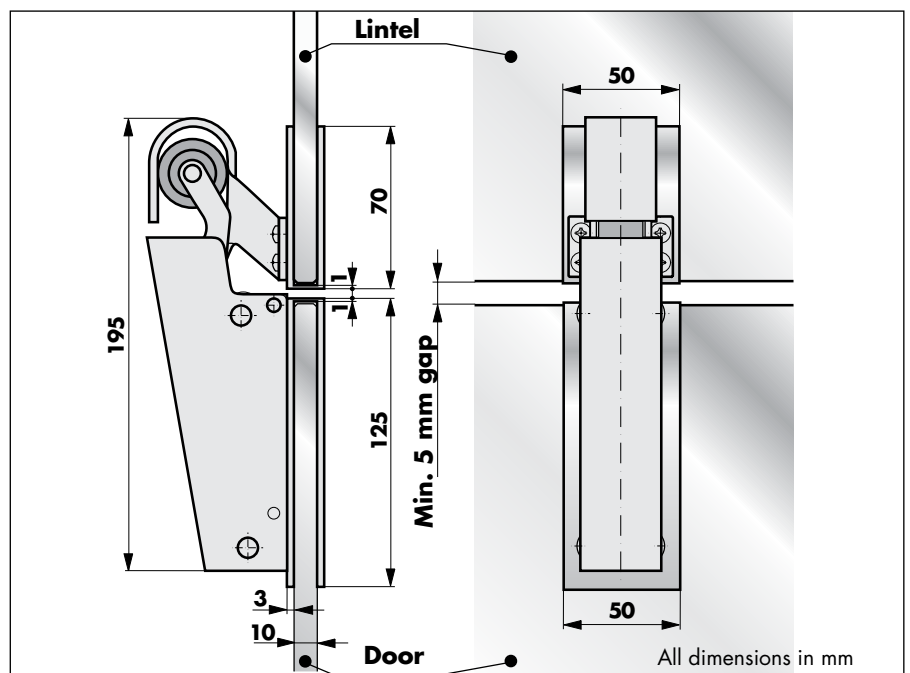


U-Profile Mounting Bracket for Glass Doors

The U-profile mounting bracket enables the V1600 door check to be installed on glass doors. A U-profile mounting bracket is also available for the V1600 hook.

There are two different U-profile designed to fit a 8, 10 or 12 mm thick glass door. Should you have another dimension please contact us. The U-profile for the door damper is made of **stainless steel** and is provided with all the necessary fixing holes and threads for the door check. The threads in the U-profile for the hook have to be made on site, as their position depends on the exact mounting position of the door check and the space between door and frame.

Dimensions



Installation

Fix the door check to the U-profile. Then fix this U-profile towards the middle of the glass door. Now the U-profile for the hook is slipped onto the frame exactly above the door damper in order to determine the position of the fixing holes for the hook. The height of the hook is correct when the rubber wheel of the operating lever only just touches the front edge of the hook when closing. If necessary line up the U-profile of the damper. When you have determined the position of the hook, mark the positions for the holes, drill and thread them (M5 threads).

Use **Loctite Fast Epoxy cement** to glue both U-profiles to the door/fanlight. Make sure the cement does not enter the fixing holes in the bracket. Now the hook is being fixed. The door check can be put into operation 4 hours later.

Important: The gap between door and frame/fanlight must be at least 5 mm.

Order Information

V 1600 U-profile mounting bracket for 8 mm thick glass	part no. 205265-08
V 1600 U-profile mounting bracket for 10 mm thick glass	part no. 205265-10
V 1600 U-profile mounting bracket for 12 mm thick glass	part no. 205265-12
U-profile mounting bracket for V1600 hook for 8 mm thick glass	part no. 205266-08
U-profile mounting bracket for V1600 hook for 10 mm thick glass	part no. 205266-10
U-profile mounting bracket for V1600 hook for 12 mm thick glass	part no. 205266-12