

Hold-Open and Closing System

DICTAMAT 560/570 for Fire Protection Sliding Doors

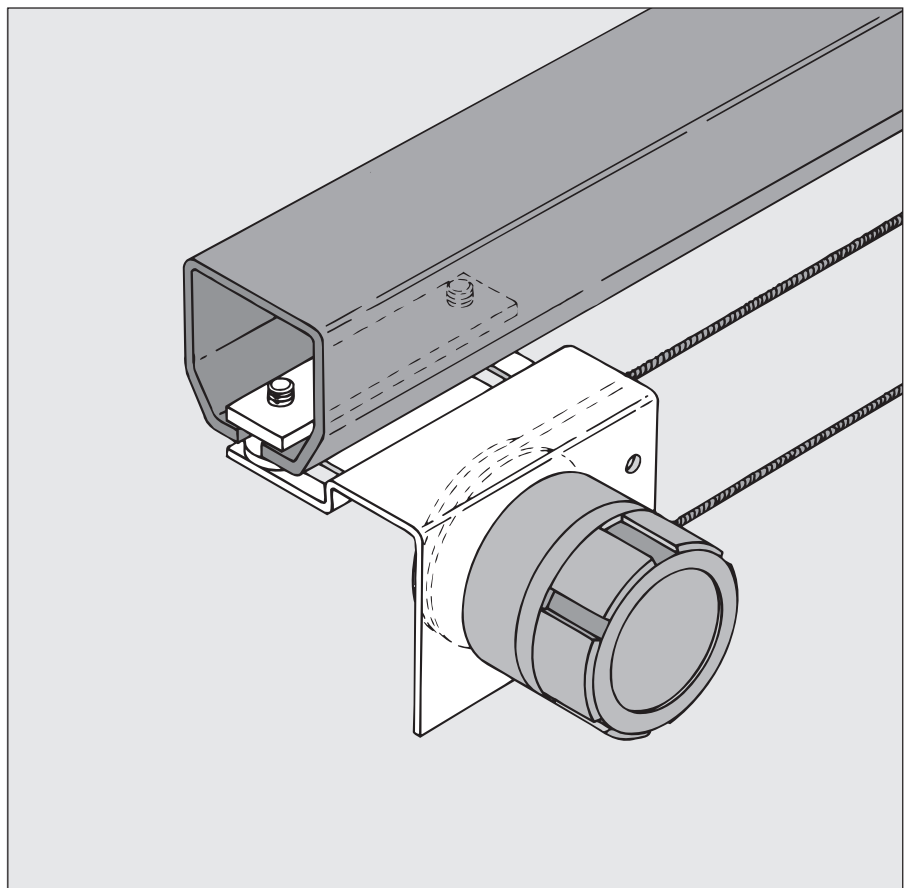
DICTATOR DICTAMAT 560 and DICTAMAT 570 door operators keep fire protection sliding doors open and close them automatically.

An electromagnetic hold-open system keeps the door open in the desired position with help of a revolving steel rope until the power supply is interrupted by a smoke detector or a hand release switch (with relay) or an emergency switch.

The closing speed is controlled by the integrated magnetic brake system.

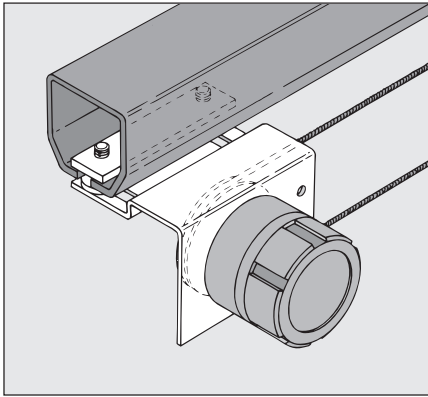
The door can be closed automatically by a separately installed DICTATOR spring rope pulley or a counter weight.

The DICTAMAT 560 and DICTAMAT 570 components have been tested for use on fire protection sliding doors by the National Material Testing Office in Dortmund, Germany. Independent quality control of the product performance is monitored through the same Institute (contract no. Do.15.4).



Technical Data

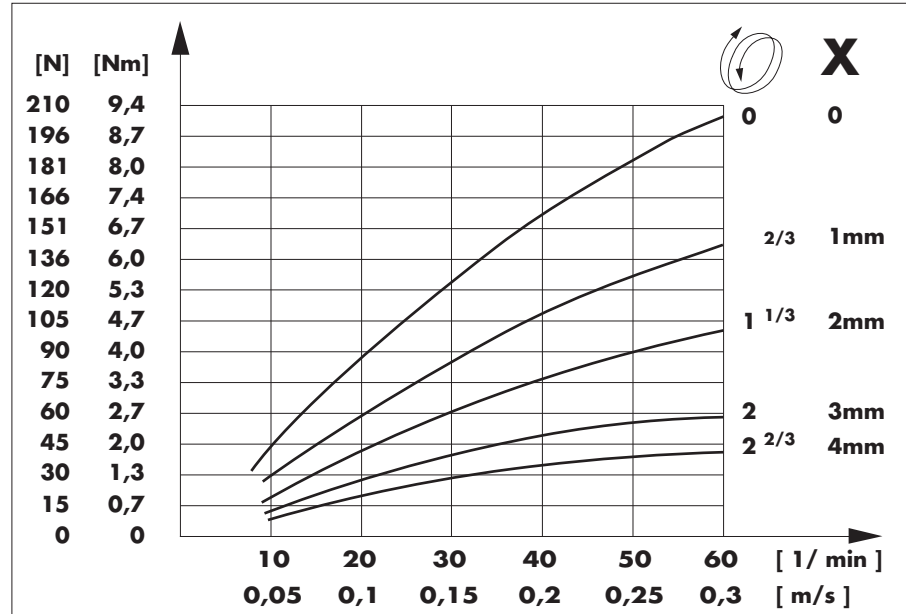
- Electromagnet to hold door open in desired position (24 VDC / 92 mA)
- Revolving steel rope, easy to install and fail-safe
- Adjustable closing speed (0.08 to 0.2 m/sec)
- Wear-proof and frictionless magnetic brake system, approx. 300 N holding force
- Mounting bracket for easy installation on rail
- Small size allows for installation in front of the door
- 160 N and 320 N spring rope pulleys available (6.5 m working distance)



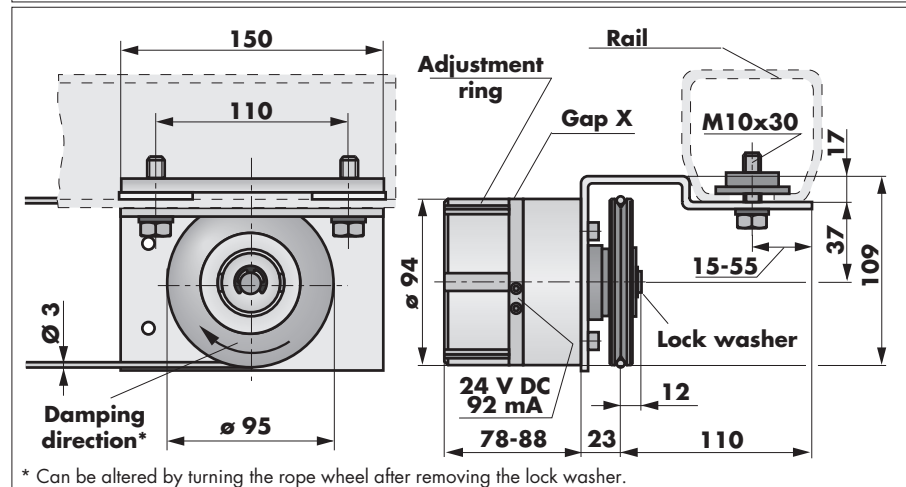
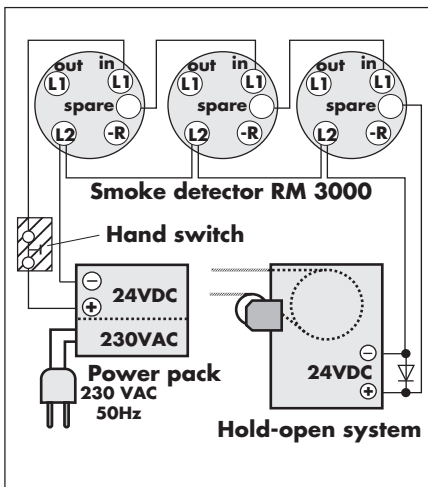
Braking Moment

Damping Characteristics and Dimensions

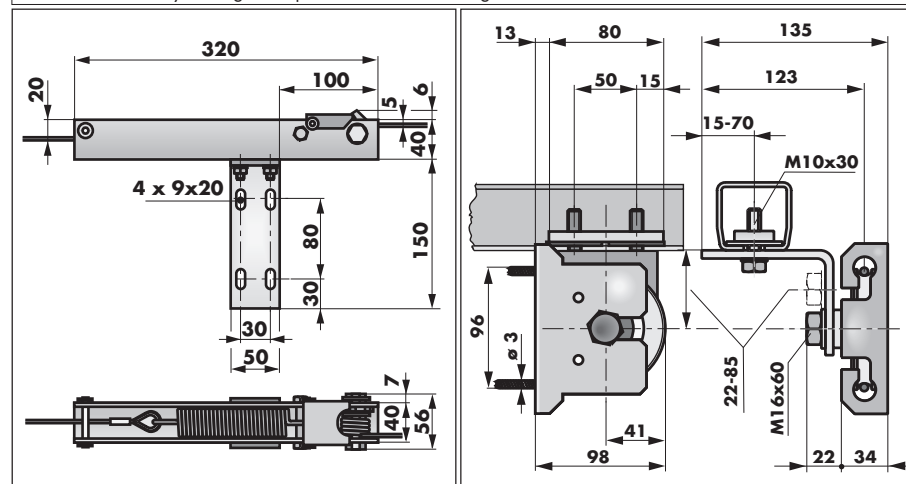
The damping force can be adjusted by turning the adjustment ring. Turning it clockwise will reduce gap X, thus increasing the damping force. Force [N] and speed [m/s] are only valid in connection with the $\varnothing 95$ drive wheel.

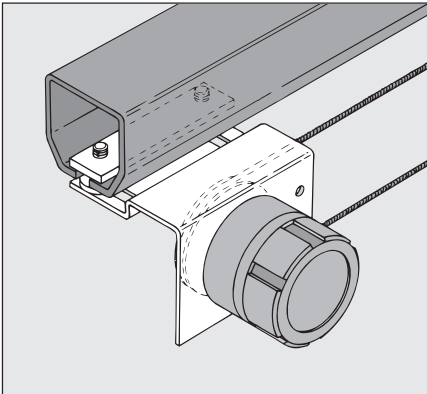


Hold-Open and Damping System



Rope Tensioner with Fixing Bracket and Idler Pulley with Mounting Bracket





DICTAMAT 560

With Spring Rope Pulley for Sliding Fire Doors up to 6.5 m Width

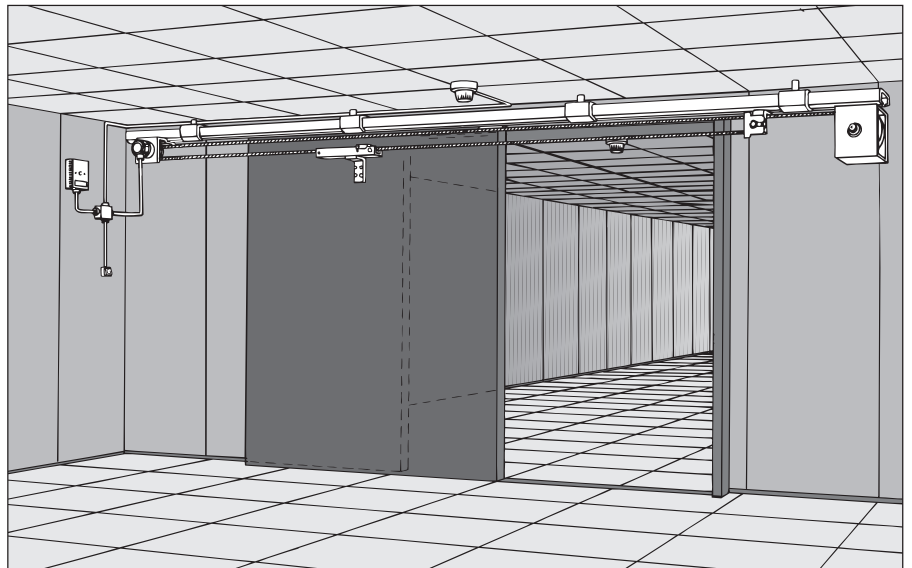
The DICTAMAT 560 door operator provides a hold-open and closing system for fire protection sliding doors. The integrated adjustable magnetic brake system controls the closing speed of the door and keeps it constant. A steel rope provides the connection between the hold-open system and the door.

The DICTAMAT 560 closes the door with a spring rope pulley that can be supplied with 160 N or 320 N force. A power diagram and dimensions can be found on page 05.056.00.

Functioning

The door is opened by hand (the magnetic brake system has a free-wheel in the opening direction) and is kept open in the desired position by the hold-open system.

Please see the diagram on the preceding page for the electrical wiring (24 VDC). The spring rope pulley automatically closes the door when the power supply is interrupted by a smoke detector or hand release switch (part no. 700132).



Order Information

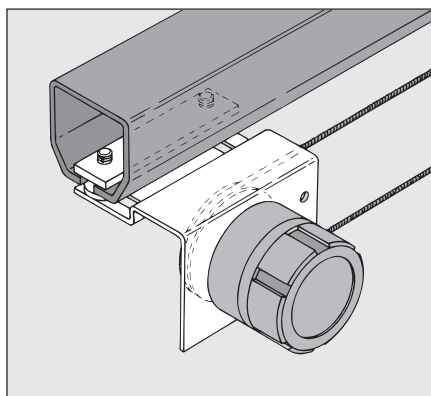
DICTAMAT 560 with 160 N spring rope pulley	Part no. 700301
DICTAMAT 560 with 320 N spring rope pulley	Part no. 700311

Components Included

Hold-open and damping system (electromagnet, magnetic brake system)
Mounting bracket for fixing of operator on rail
25 m steel rope with cable eye stiffener, 2 rope clamps and tensioner
Idler pulley with mounting bracket for fixing on rail
Spring rope pulley (160 N or 320 N) with bracket and 10 m steel rope

Accessories

Hand release switch "Close fire protection door"	Part no. 700132
RESET switch	Part no. 700113
Power pack E 450, 0.45 A / 24 VDC	Part no. 040550
DICTATOR RM 2000/RM 3000 smoke detectors with base	see Fire Door Control Solutions
DICTATOR EDH final dampers	from page 05.065.00
Free-running system (door catch and special rope tensioner)	see special leaflet



DICTAMAT 570

For Fire Protection Sliding Doors with Counter Weight

The DICTAMAT 570 door operator provides a hold-open system for fire protection sliding doors. The integrated adjustable magnetic brake system controls the closing speed of the door and keeps it constant.

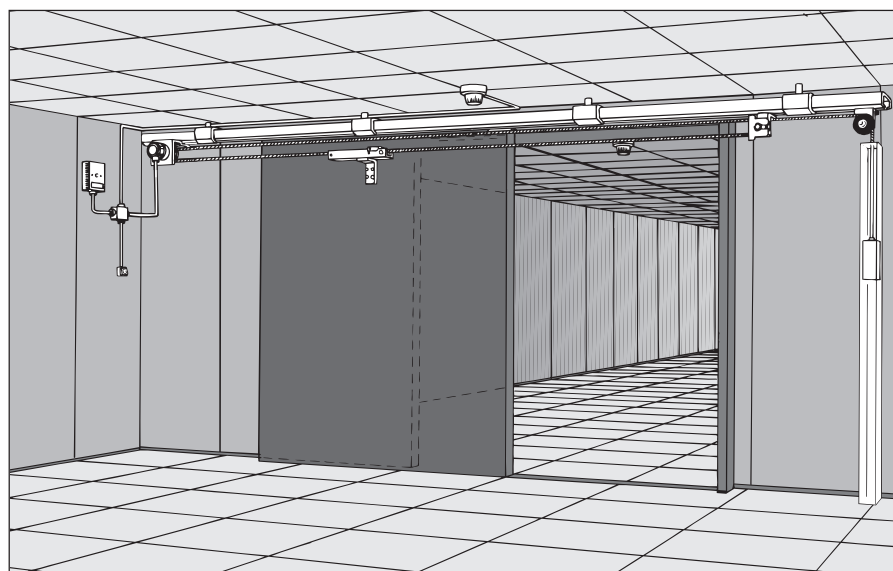
A revolving steel rope provides the connection between hold-open system and the door.

Please see diagram on page 05.050.00 for the electrical wiring (24 VDC).

Functioning

The door is opened by hand (the magnetic brake system has a free-wheel in the opening direction) and is kept open in the desired position by the hold-open system.

The counter weight automatically closes the door when the power supply is interrupted by a smoke detector or a hand release switch (part no. 700132) .



Order Information

DICTAMAT 570 (with magnetic brake) Part no. 700351

Components Included

Hold-open and damping system (electromagnet, magnetic brake system)

Mounting bracket for fixing operator on rail

25 m steel rope with cable eye stiffener, 2 rope clamps and tensioner

Idler pulley with mounting bracket for fixing on the rail

Accessories

Hand release switch "Close fire protection door" Part no. 700132

RESET switch Part no. 700113

Power pack E 450, 0.45 A / 24VDC Part no. 040550

DICTATOR RM 2000/RM 3000 smoke detectors with base see Fire Door Control Solutions

DICTATOR EDH final dampers from page 05.065.00

Free-running system (door catch and special rope tensioner) see special leaflet