

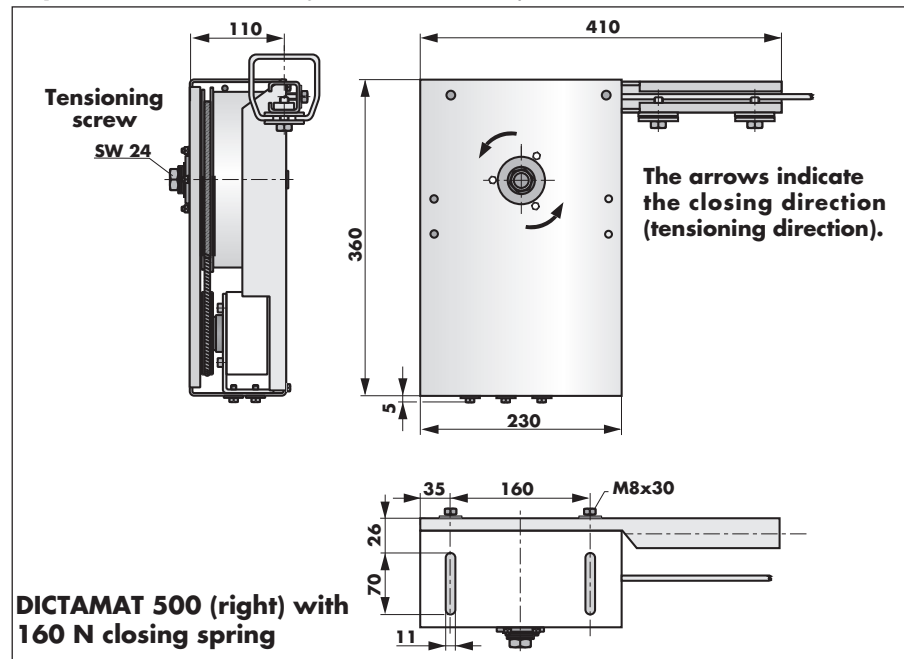
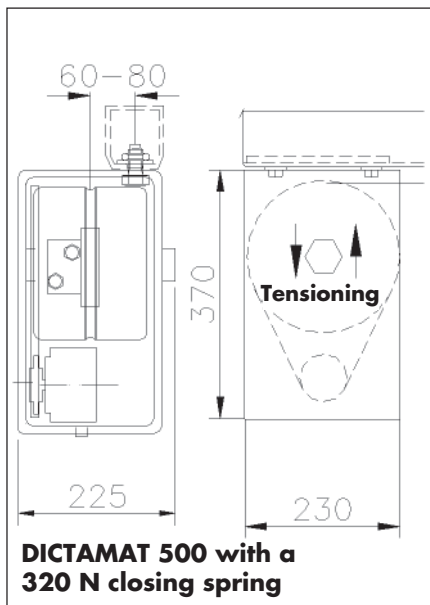
Dimensions, Order Information

The DICTAMAT 500 is always mounted at that end of the rail where the door is in the closed position. The 160 N type is normally fixed with its bracket for plug-in mounting laterally at the end of the rail. Please make sure sufficient space is available (min. 430 mm). If this space is not available the DICTAMAT 500 with 160 N is mounted as the 320 N type directly below the rail, using a counter plate. The following drawing shows the drive unit mounted on the left end of the rail.

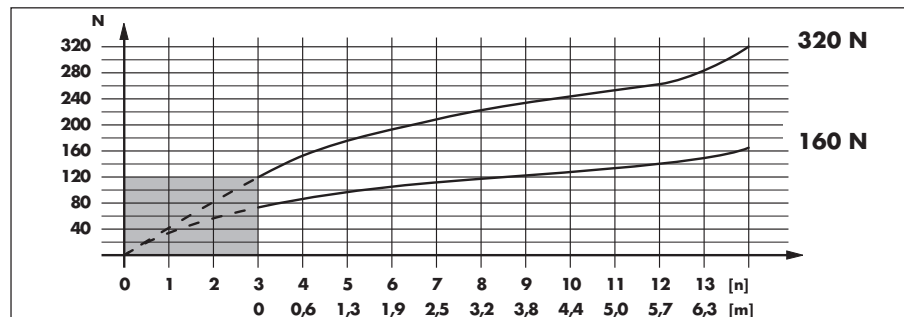
The closing speed is adjusted directly at the radial damper integrated in the DICTAMAT 500.

Important: The force acting on an obstacle may **not exceed 150 N**.

Dimensions



Force of the Closing Spring



Components Included

Operator (with integrated closing spring and radial damper), rope \varnothing 3 mm (10 or 25 m)

Bracket for plug-in mounting in rail and threaded counter plate

Order Information

DICTAMAT 500, 160 N, 10 m rope, left	Part no. 700040
DICTAMAT 500, 160 N, 10 m rope, right	Part no. 700041
DICTAMAT 500, 320 N, 10 m rope, left	Part no. 700042
DICTAMAT 500, 320 N, 10 m rope, right	Part no. 700043
DICTAMAT 500, 160 N, 25 m rope, left	Part no. 700044
DICTAMAT 500, 160 N, 25 m rope, right	Part no. 700045
DICTAMAT 500, 320 N, 25 m rope, left	Part no. 700046
DICTAMAT 500, 320 N, 25 m rope, right	Part no. 700047