

Radial Dampers

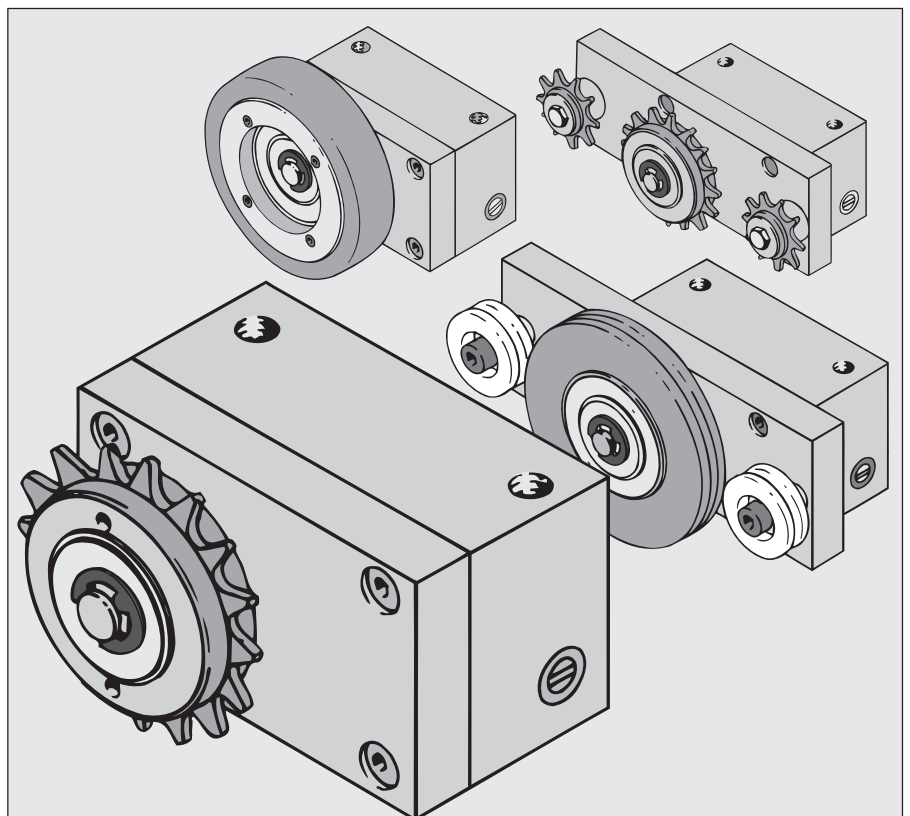
For Fire Protection Sliding Doors

DICTATOR radial dampers are designed to provide continuous damping over the complete operating distance of fire protection sliding doors.

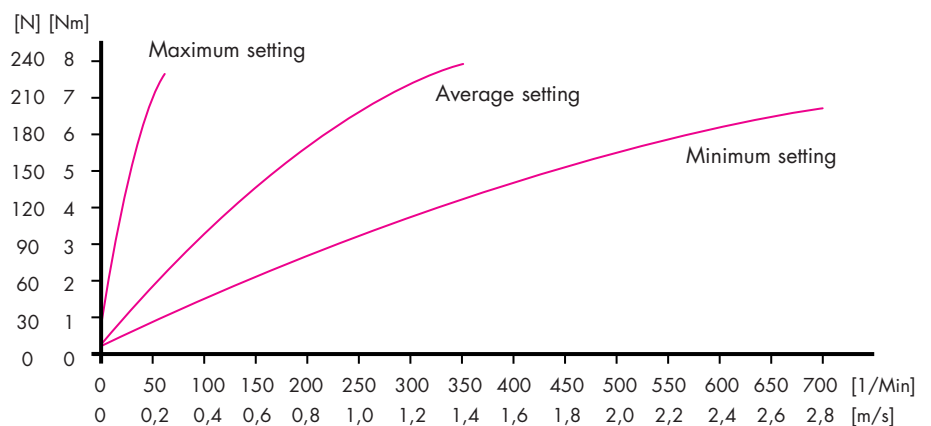
A radial damper has to be used on larger fire protection sliding doors closing on their own, as their controlled closing speed protects the complete door construction and avoids damage and injury caused by doors moving too fast.

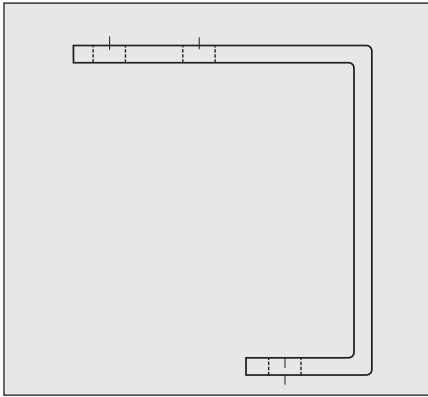
The hydraulic damping is continuously adjustable. The radial dampers are provided with a free wheel in one direction, so for opening the door no higher force is needed. All models with a toothed wheel are designed for use with 1/2" chains.

DICTATOR radial dampers have been tested and approved by the National Material Testing Office in Germany (MPA-NRW). They are subject to an independent quality control by the same institute (contract no. Do. 15.1).



Adjustment Information





Bracket 240020

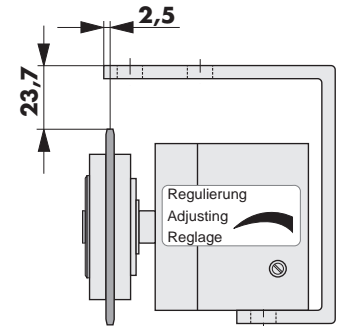
The bracket, part no. 240020, is designed to easily and reliably mount radial dampers to the door leaf, walls or solid beams that must not be punctured.

The DICTATOR radial damper is fixed to the bracket with its two M8 pocket hole threads (20 mm deep).

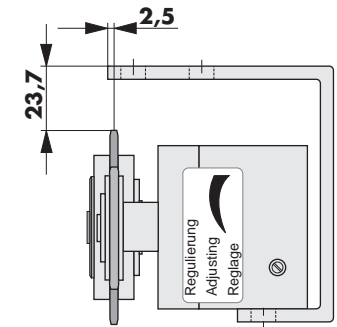
The bracket is zinc-plated. The body of the radial damper is made of aluminium.

Other brackets can be manufactured to suit your requirements.

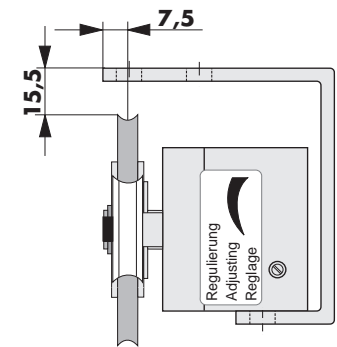
RD 240000



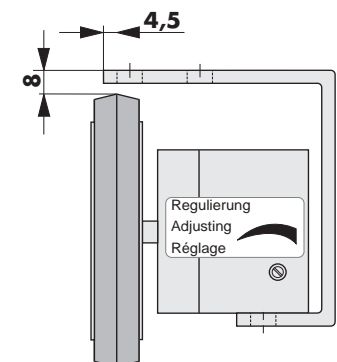
RD 240001



RD 240003



RD 240022



Dimensions

