

## Radial Dampers

### For Sliding Fire Doors

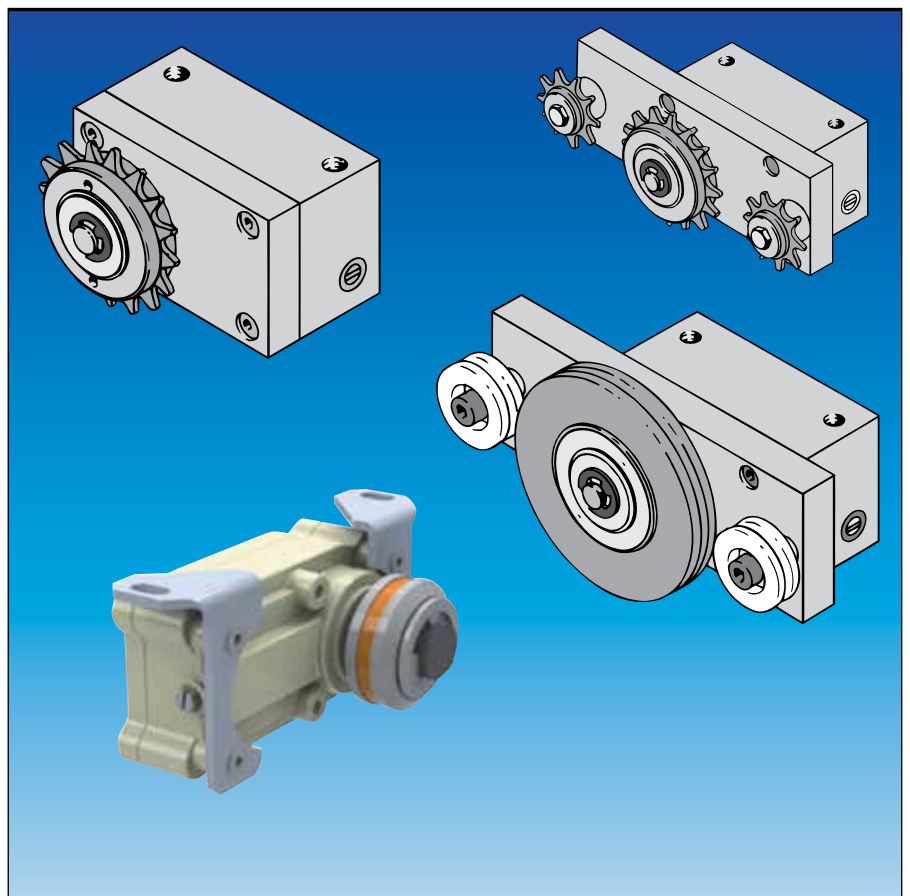
DICTATOR radial dampers control and limit the closing speed of sliding fire doors over the complete operating distance.

All sliding doors closing on their own have to be equipped with such dampers, as without them the life of the door construction will be reduced and the high mass forces during closing result in accident risks.

The hydraulic damping is continuously adjustable. All DICTATOR radial dampers are provided with a free wheel in one direction, so opening the door needs no higher force.

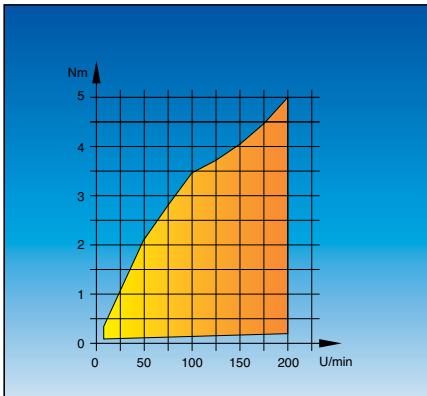
All models with a toothed wheel are designed for use with 1/2x1/8" chains.

DICTATOR radial dampers have officially been tested and approved for their use on fire doors.



### Overview

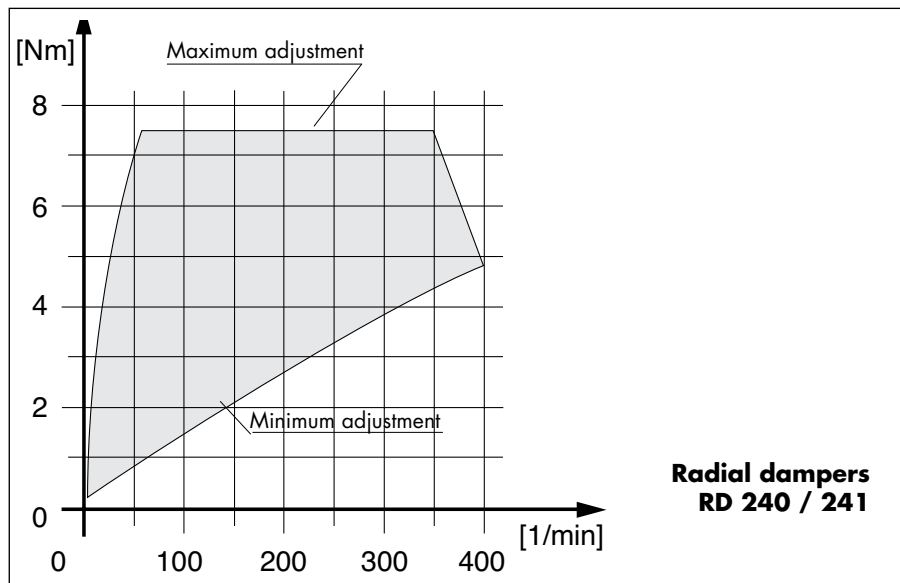
Radial dampers RD 240/241	max. pivot moment 8 Nm sliding doors up to 400 kg / 1000 kg AbP P-120001298
Radial dampers LD 50	max. pivot moment 2 Nm, sliding doors up to 300 kg PfB Rosenheim
Radial dampers LD 100	max. pivot moment 5 Nm sliding doors up to 400 kg / 600 kg PfB Rosenheim
Damping by	rope, chain (tensioned or revolving), toothed belt More models on demand



### Damping Forces of the Different Series

The diagrams printed below show the damping power of the RD 240/241, LD 50 and LD 100 radial dampers. But we gladly will assist you in choosing the radial damper appropriate for your application.

### Damping Diagram RD 240 / 241 Series



### Damping Diagrams LD 50 / LD 100 Series

