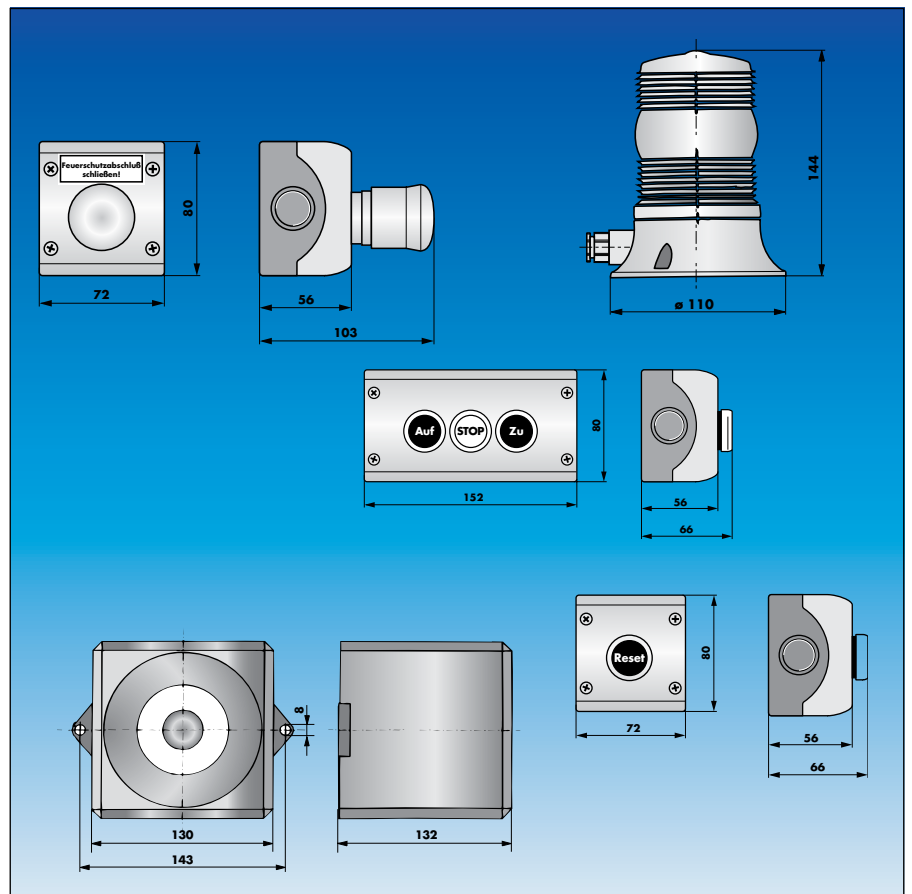


## Safety and Operating Equipment for DICTAMAT Door Operators

On the following pages you will find a number of operating and safety equipment to go with the DICTATOR fire protection door operators. In case of special requirements please ask for an offer. When choosing the safety equipment you should observe the requirements of the relevant directives.

Please observe the maximum capacity of the binders in the control system. The power consumption of the connected devices must not exceed this value. An additional power pack should be ordered, if necessary. (Please see the chapter Fire Door Control Solutions in the DICTATOR catalogue).

More safety and operating elements can be found beginning on page 04.049.00 in the chapter Door and Gate Operators of the DICTATOR catalogue.



### Summary

Acoustic and optical warning devices	page 05.072.00
Switches	page 05.074.00
Emergency-STOP switch, limit switch, main switch	page 05.078.00

## Acoustic and Optical Warning Devices: Warning Siren

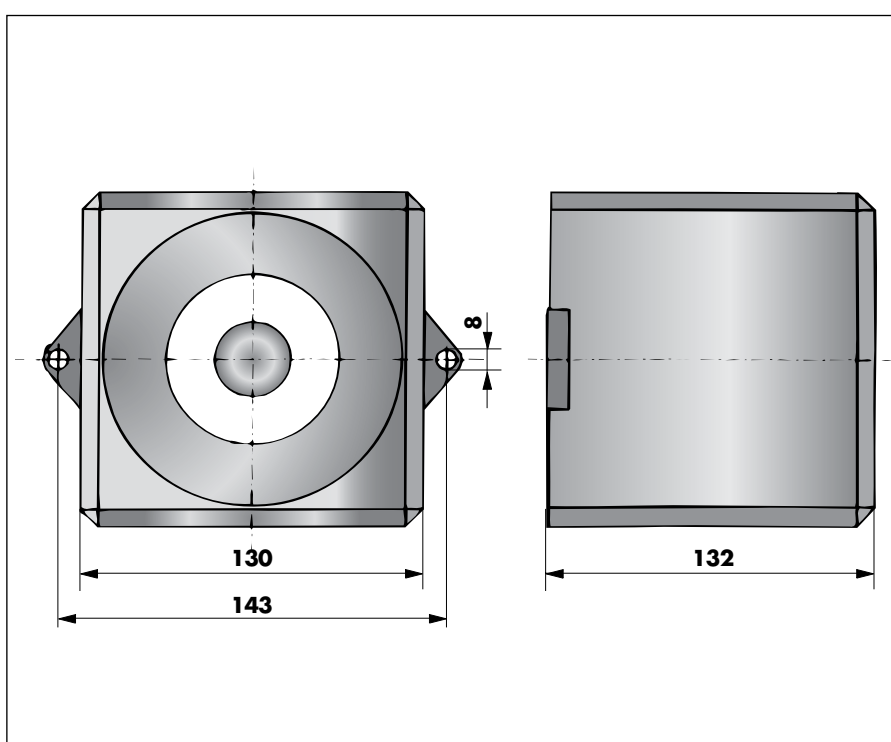
### Functioning

All moving doors represent a certain danger. In some applications an acoustic warning signal might be required. Depending on the control system used with the door operator, the warning siren can sound during opening and/or closing and even before the door starts to move.

The siren casing is made of self-extinguishing polystyrol. Depending on the wiring three different warning signals are possible: continuous, interrupted or wailing sound.

The loudness of the siren can be adjusted with a potentiometer to suit different surroundings.

### Dimensions



### Technical Data

Voltage	24 VDC
Power consumption	60 mA
Loudness	105 dB (in 1 m distance) lower level adjustable
Duty cycle	100 %
IP rating	IP 55 (EN 60529)
Cable inlet	PG 13.5
Material	plastics
Colour	flame red (similar to RAL 3000)

### Order Information

24 VDC, 60 mA warning siren

part no. 700470

## Acoustic and Optical Warning Devices: Warning Flashlight

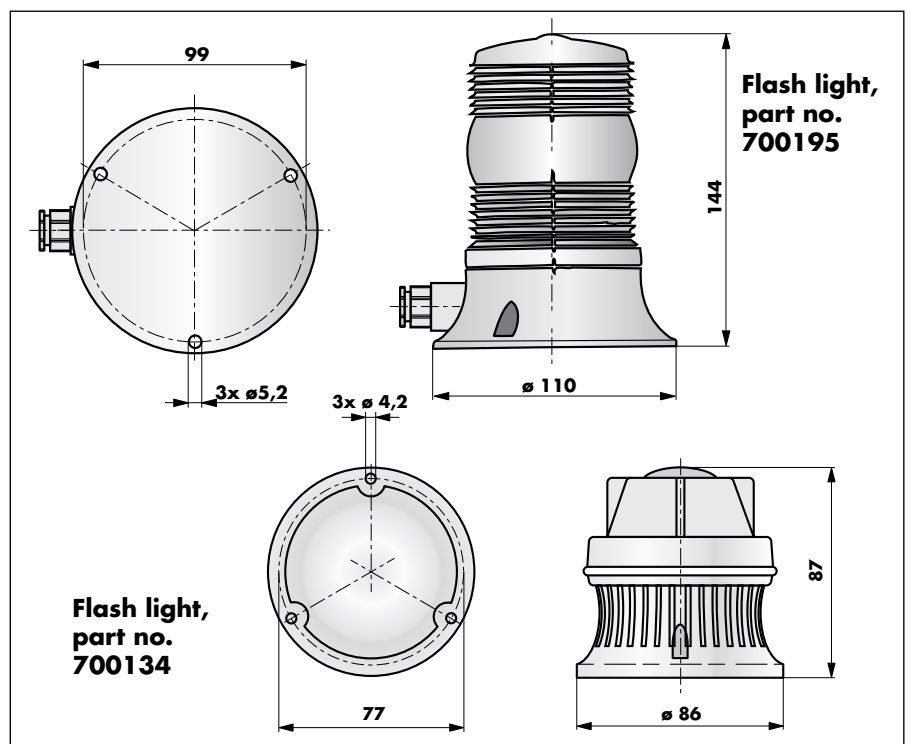
### Functioning

The warning flashlight is used to caution people against the movement of automatic doors. Almost all control systems are provided with a relay contact indicating the movements of the door, some even with the possibility to start the flash light before the door starts to move.

When using the flashlight part no. 700195 the current carrying capacity of the relay contact in the control system must be minimum 230 V (if possible 250 V/10 A). Otherwise a separate relay has to be provided.

For applications where the control system to which the flash light is connected has to supply the power, the smaller flash light part no. 700134 is furnished.

### Dimensions



### Technical Data

Part no.	700195	700134
Voltage	230 VAC	24 VDC
Power consumption	100 mA	215 mA
IP rating	IP 54	IP 54
Cable inlet	PG 9	-
Duty cycle	100 %	100 %
Operating temperature	-30 to +50 °C	-30 to +50 °C
Flashing frequency (+/- 20)	110 / minute	110 / minute
Voltage of the bulb / Lamp socket	25 W / BA 15D	5 W / BA 15D
Material / Colour	plastics / red	plastics / red

### Order Information

Warning flash light, 230 VAC, 25 W, red	part no. 700195
Warning flash light, 24 VDC, 5 W, red	part no. 700134

## Push Button Switches

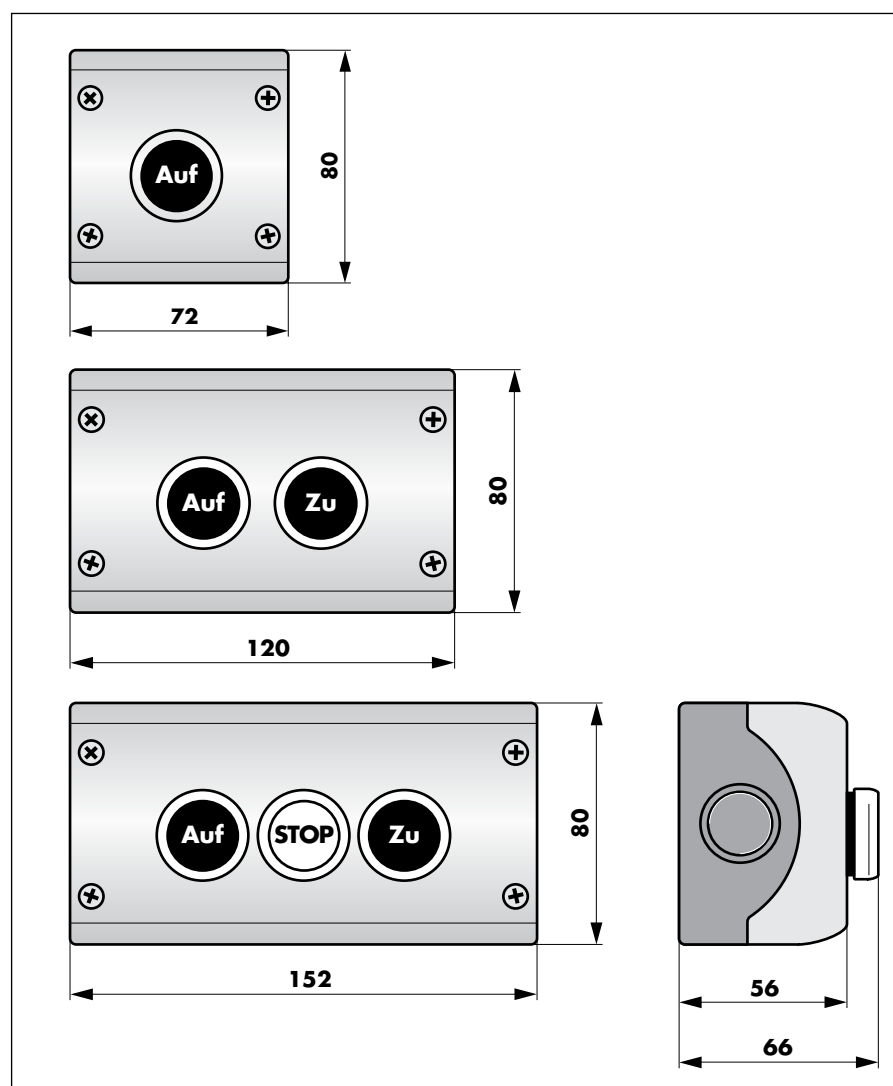
### Functioning

DICTATOR furnishes a range of different push button switches to operate the door drives DICTAMAT. Normally a switch with two or three push buttons is used (OPEN/CLOSE or OPEN/STOP/CLOSE). The hand switches shown on this page are provided with the following **contacts**:

OPEN, CLOSE make contact (NO)

STOP break contact (NC) or make contact (NO) (depending on the type of control system used)

### Dimensions



### Technical Data

IP rating	IP 67
Operating temperature	-25 °C to +70 °C

### Order Information

Push button switch OPEN (make contact, NO)	part no. 700185
Push button switch OPEN - CLOSE, (2 make contacts, NO)	part no. 700117
Push button switch OPEN-STOP-CLOSE (STOP = break contact, NC)	part no. 700142
Push button switch OPEN-STOP-CLOSE (STOP = make contact, NO)	part no. 700147

## Key Switch

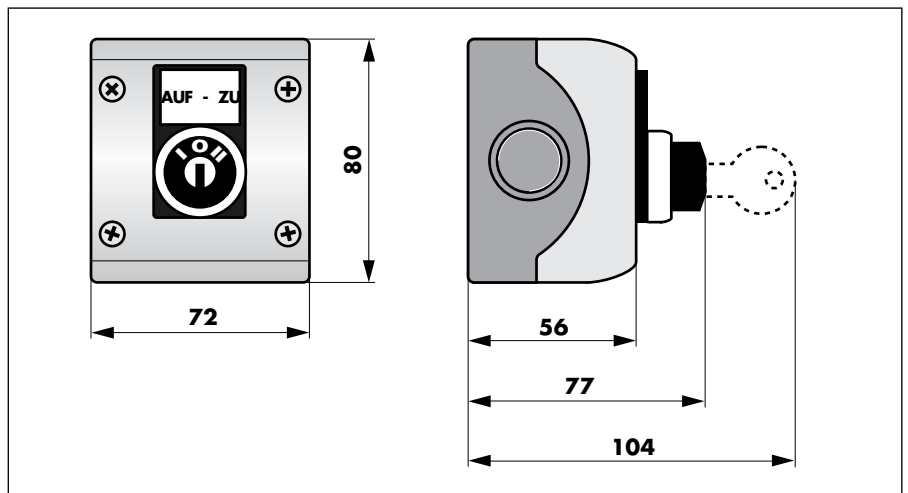
### Functioning

A **key switch** is used whenever the use or the operation of the door is restricted to certain persons. The key switches offer only two operating possibilities: OPEN and CLOSE. Is the key switch part of a locking system the key switches can be furnished with a half cylinder lock, to be replaced with one belonging to the locking system.

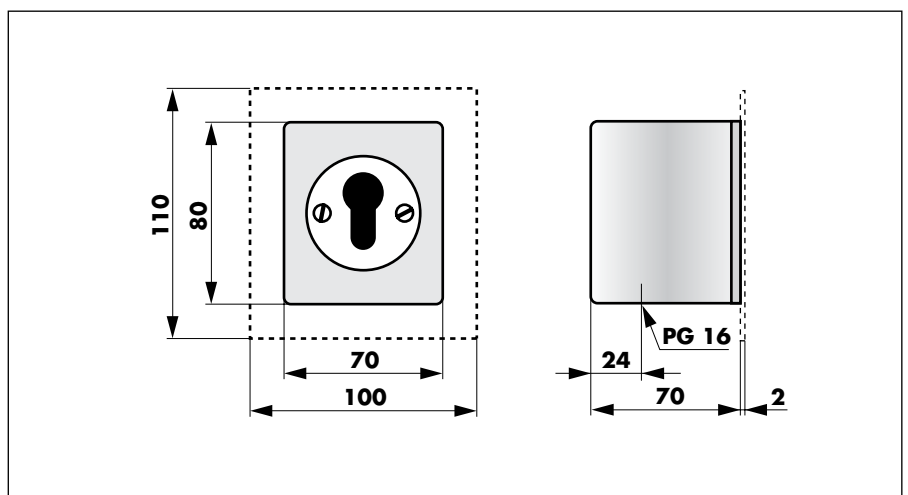
### Contacts:

OPEN, CLOSE	make contact (NO)
-------------	-------------------

### Dimensions Key Switch



### Dimensions Key Switch for Half Cylinder Locks



### Technical Data

IP rating key switch	IP 67
IP rating key switch with half cylinder lock	IP 54
Operating temperature	-25 °C to +70 °C

### Order Information

Key switch OPEN - CLOSE, surface type	part no. 700113
Key switch OPEN - CLOSE with half cylinder lock, surface type	part no. 700114
Key switch OPEN - CLOSE with half cylinder lock, flush mounting	part no. 700115

## Large Surface Switch, Pulling Switch

### Functioning

**Large surface switches** are recommended when the persons using the door either do not have empty hands and should be able to operate the switch with their elbow, or to facilitate their use to handicapped persons.

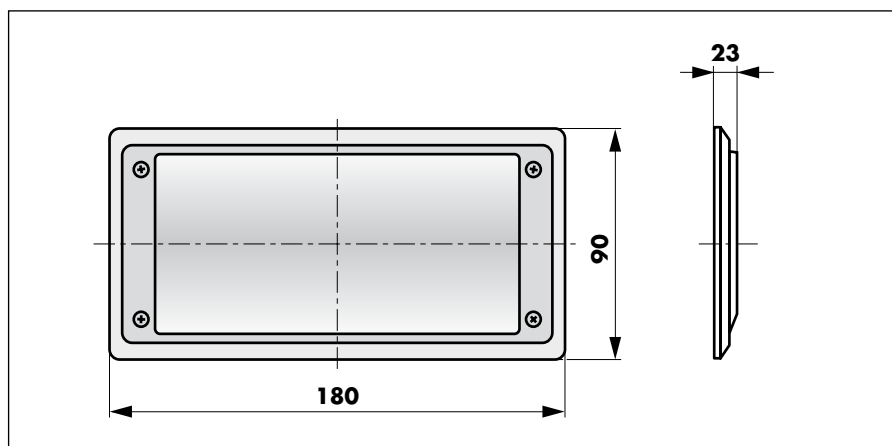
The **pulling switch** is mainly used in combination with the automatic closing when fork lift trucks use the doors frequently.

### Contacts:

Make contact (NO)

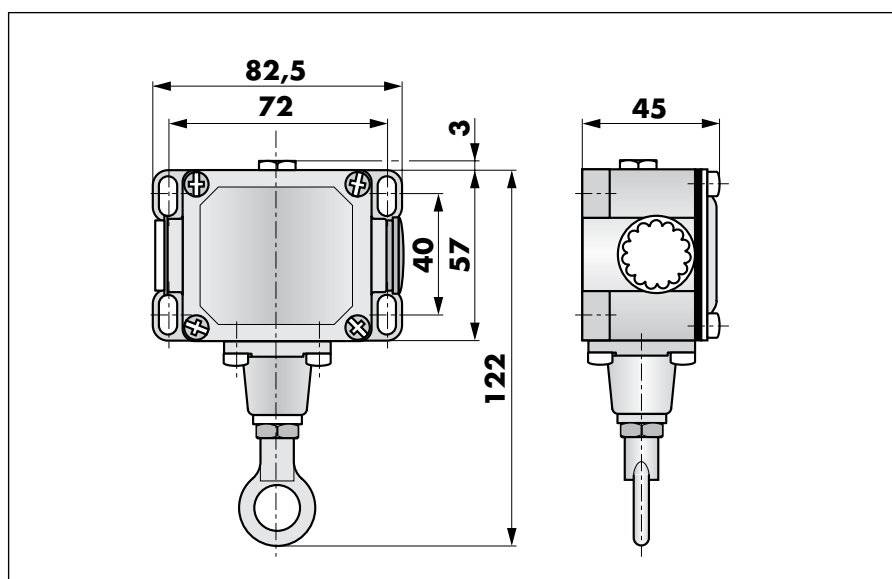
### Dimensions

#### Large Surface Switch



### Dimensions

#### Pulling Switch



### Technical Data

IP rating large surface switch	IP 30
Operating temperature large surface switch	-20 °C to +50 °C
IP rating pulling switch	IP 65
Operating temperature pulling switch	-25 °C to +70 °C

### Order Information

Large surface switch, white, surface type (plastic)	part no. 700194
Pulling switch (for alternating impulse OPEN-CLOSE)	part no. 700139

## Special Operating Elements for Fire Protection Doors

### Functioning

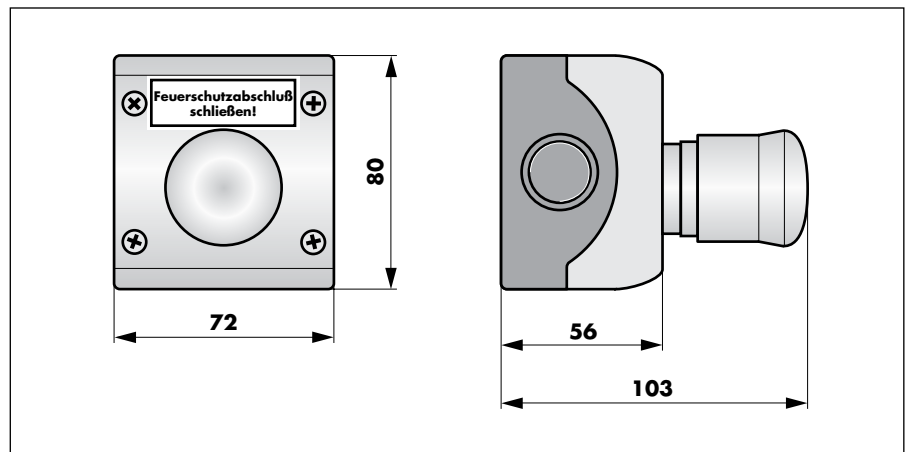
Fire protection doors have to close automatically in case of alarm. The alarm can be triggered by a smoke detector or by a hand release switch. In case of the semi-automatic door operators DICTAMAT 560, 570 and 650 a push-to-lock key is required. For the fully automatic door operators the standard **hand release switch**, part no. 040005 or 040053 (see chapter Fire Door Control Solutions) is sufficient.

After every alarm the control system requires a **RESET** command to resume normal operation.

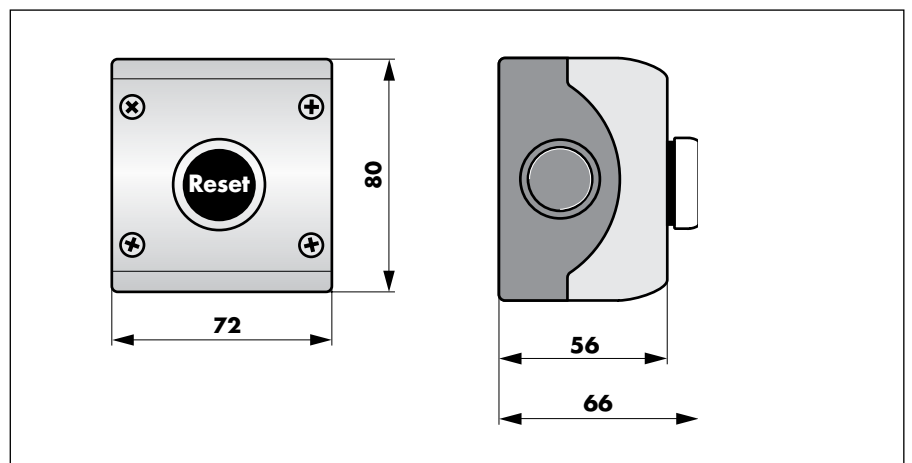
### Contacts:

OPEN	2 x make contact (NO)	STOP	make contact (NO)
CLOSE	break contact (NC)		

### Dimensions Push-to-Lock Hand Switch



### Dimensions RESET



### Technical Data

IP rating	IP 67
Operating temperature	-25 °C to +70 °C

### Order Information

Push-to-lock hand release switch (break contact - NC)	part no. 700132
RESET switch (make contact - NO)	part no. 700112

## Other Switches: Emergency-STOP, Limit Switch, Main Switch

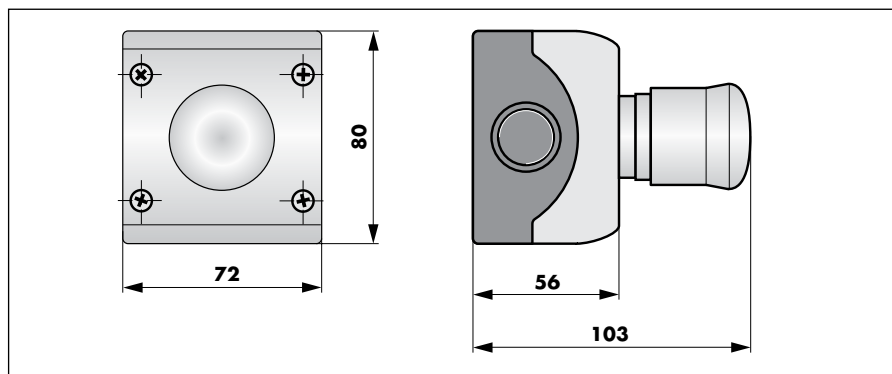
### Functioning

For large sliding doors an **emergency-stop switch** should be provided for safety reasons.

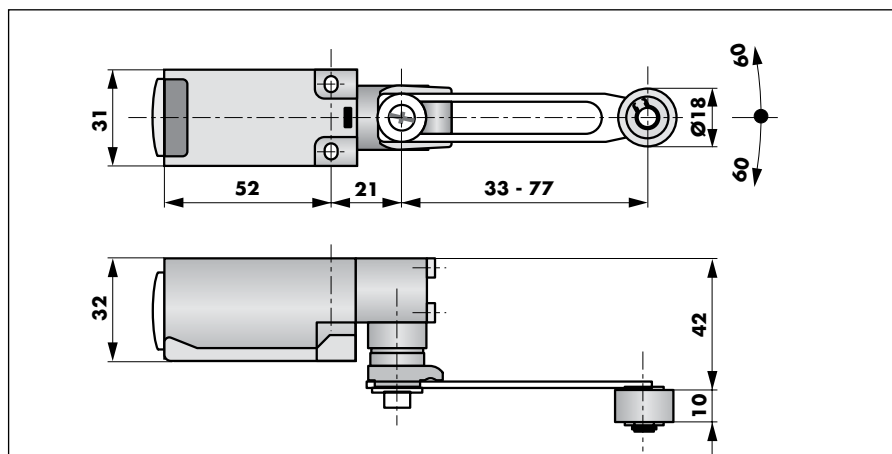
**Limit switches** are necessary for all door operators without integrated position control system.

In order to be able to cut off the power supply completely, a **main switch** should be installed directly in the power supply of the control system.

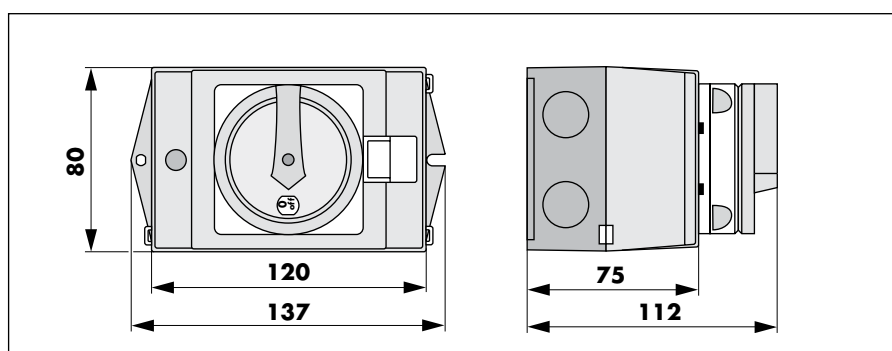
### Dimensions Emergency-STOP Switch



### Dimensions Limit Switch



### Dimensions Main Switch



### Technical Data

IP rating	limit switch IP 65
Operating temperature	-25 °C to +70 °C

### Order Information

Emergency-STOP switch (push-to-lock) (break contact - NC)	part no. 700198
Limit switch (break contact - NC)	part no. 700156
Lockable main switch (for padlock)	part no. 700179