

Electromagnet with Swivel Head

For Installation on the Floor, Wall or Ceiling

DICTATOR electromagnets are used in combination with smoke detectors to keep fire protection doors open.

The electromagnet with swivel head has a distance tube which is welded vertically onto a mounting plate.

The magnet is supplied with its head in a straight position. To mount on the floor or ceiling the head position can be altered without having to interfere with any electrical connections (see diagram on the right). The tube is available in three different lengths. It can also be shortened to the required length if necessary.

The mounting plate and tube are made of grey laquered steel and the magnet is zinc plated steel. The other parts are made of light grey plastics (RAL 7037). An interrupter key is integrated in the lower part of the tube.

DICTATOR magnets are equipped with spark extinction diodes. In the event of faulty connection, the integrated polarity protection prevents the spark extinction diode from being destroyed.

The GD 60 electromagnet has been tested according to EN 1155:2003 and together with the DICTATOR smoke detectors RM 2000 and RM 3000+ been approved by the German building supervision (approval no. Z-6.5-1903).



Technical Data

Electromagnet	EM GD 60	EM GD 60 S
Voltage	24 VDC ±10 %	24 VDC ±10 %
Power consumption	67 mA (1.6 W)	79 mA (1.9 W)
Duty cycle	100 %	100 %
Operating temperature	-20 °C to +60 °C	-20 °C to +60 °C
Force	700 N	1000 N
Remanence / IP rating	0 N / IP 40	0 N / IP 40
Finish	zinc-plated / powder coated RAL 9010	

Installation

You can either fix the electromagnet with swivel head to the floor, ceiling or wall. If you want to change the position of the head you need to loosen the locking screw and turn the head by 90°.

If you need to cut the distance tube, remove the head after loosening both grub screws which fix the head to the tube. Then pull out the wires connected to the interruption key.

An anchorplate needs to be fixed to the door as a counterpart to the magnet. A choice of different counter plates can be found later in this section.

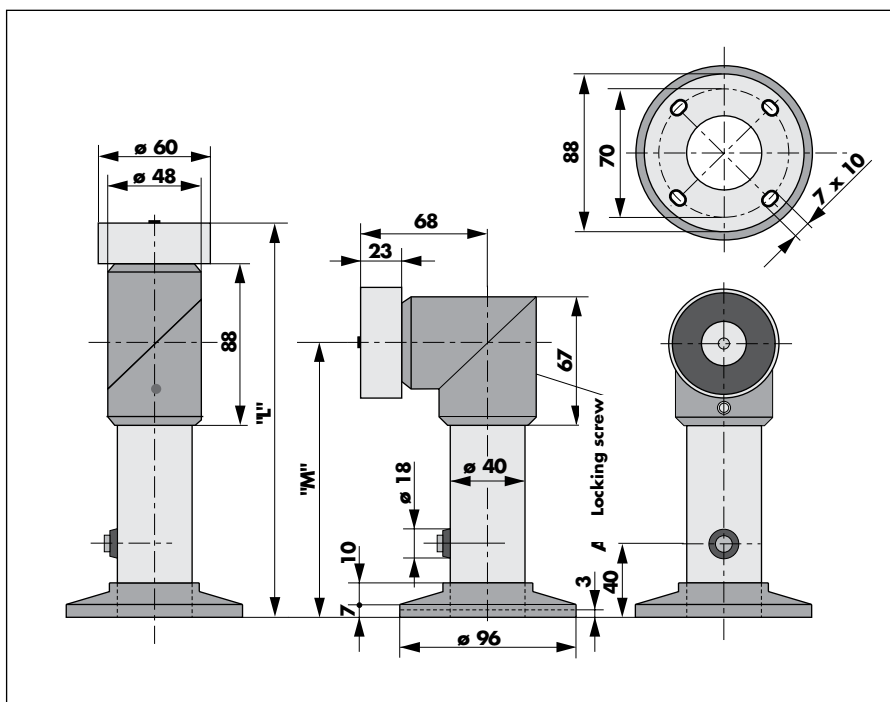
The connection wires are inserted through an opening in the mounting plate. After the magnet has been properly mounted and wired, both plastic covers are pushed from the side over the mounting plate and clipped into position.

Please note:

It must be possible to release a fire protection door held open by an electromagnet with a hand switch which is not hidden by the opened door. (DICTATOR hand switch part no. 040005, see diagram on the left).



Dimensions



Order Information

Model	Length "L"	Height "M"	
EM GD 60 S 175 magnet	175 mm	107 mm	part no. 040111
EM GD 60 S 175 S magnet	175 mm	107 mm	part no. 040164
EM GD 60 S 325 magnet	325 mm	257 mm	part no. 040112
EM GD 60 S 475 magnet	475 mm	407 mm	part no. 040113



Electromagnet for Installing on the Wall with Plastic Base and Interrupter Key

The electromagnet with the plastic base is an aesthetical unit. It permits to compensate for larger distances between door and wall as with a normal electromagnet, without using a distance tube. The electromagnet is furnished both with and without interrupter key in the plastic base.

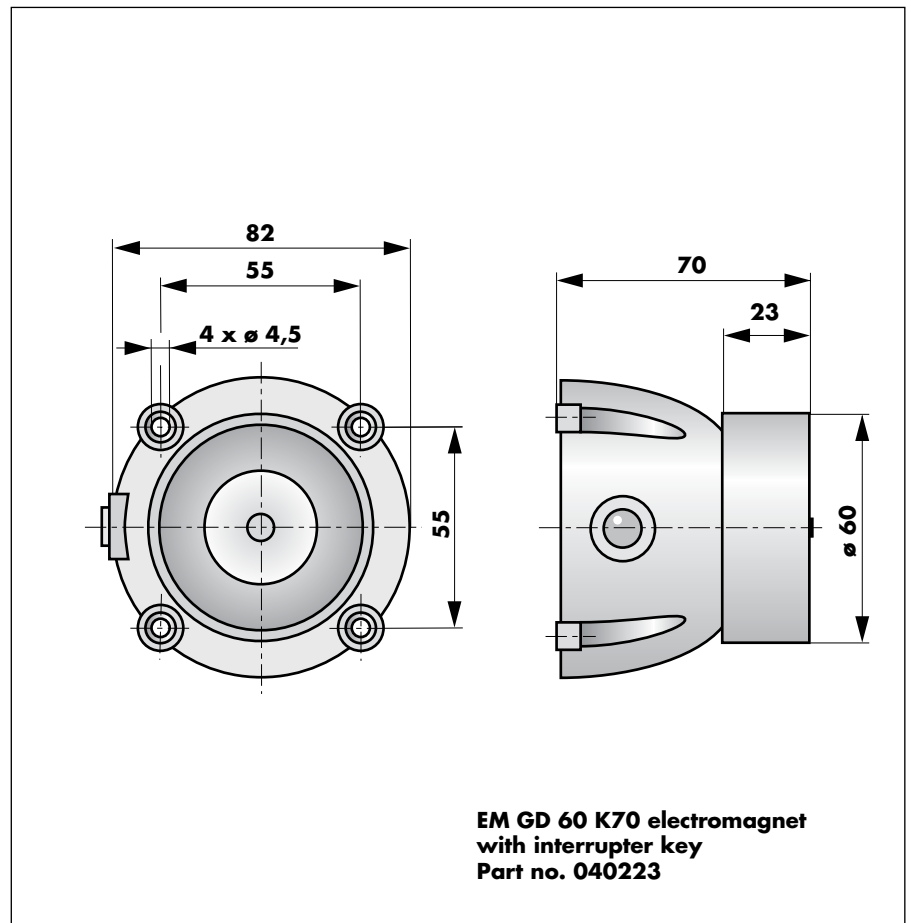
Fix the magnet to the wall and the anchor plate to the door. A selection of counter plates can be found later in this section.

The connection wires are inserted through an opening at the bottom of the base plate.



Please note: It must be possible to release a fire protection door held open by an electromagnet with a hand switch which is not hidden by the opened door. (DICTATOR hand switch part no. 040005).

Dimensions



Order Information

EM GD 60 K 70 electromagnet	force 700 N	part no. 040223
EM GD 60 K 70 without interrupter key	force 700 N	part no. 040224

Notes