

Electromagnet in Plastic Case with Interrupter Key, for Surface Mounting

DICTATOR electromagnets are appropriate for the use in hold open systems on fire protection doors.

The magnets in plastic casing are available in two versions: with and without lateral Pg7 cable gland. Both types have an interrupter key on top of the casing. The magnet can therefore be used on both left and right opening doors, as the interrupter key is always accessible. The plastic casing on the magnet meets high aesthetic requirements. Installing the magnet is very easy as the key is fixed to the mounting plate. The plastic casing can therefore be completely removed for mounting.

DICTATOR magnets are equipped with a spark extinction diode as standard. In the event of faulty connection, the integrated polarity protection prevents the spark extinction diode being destroyed.

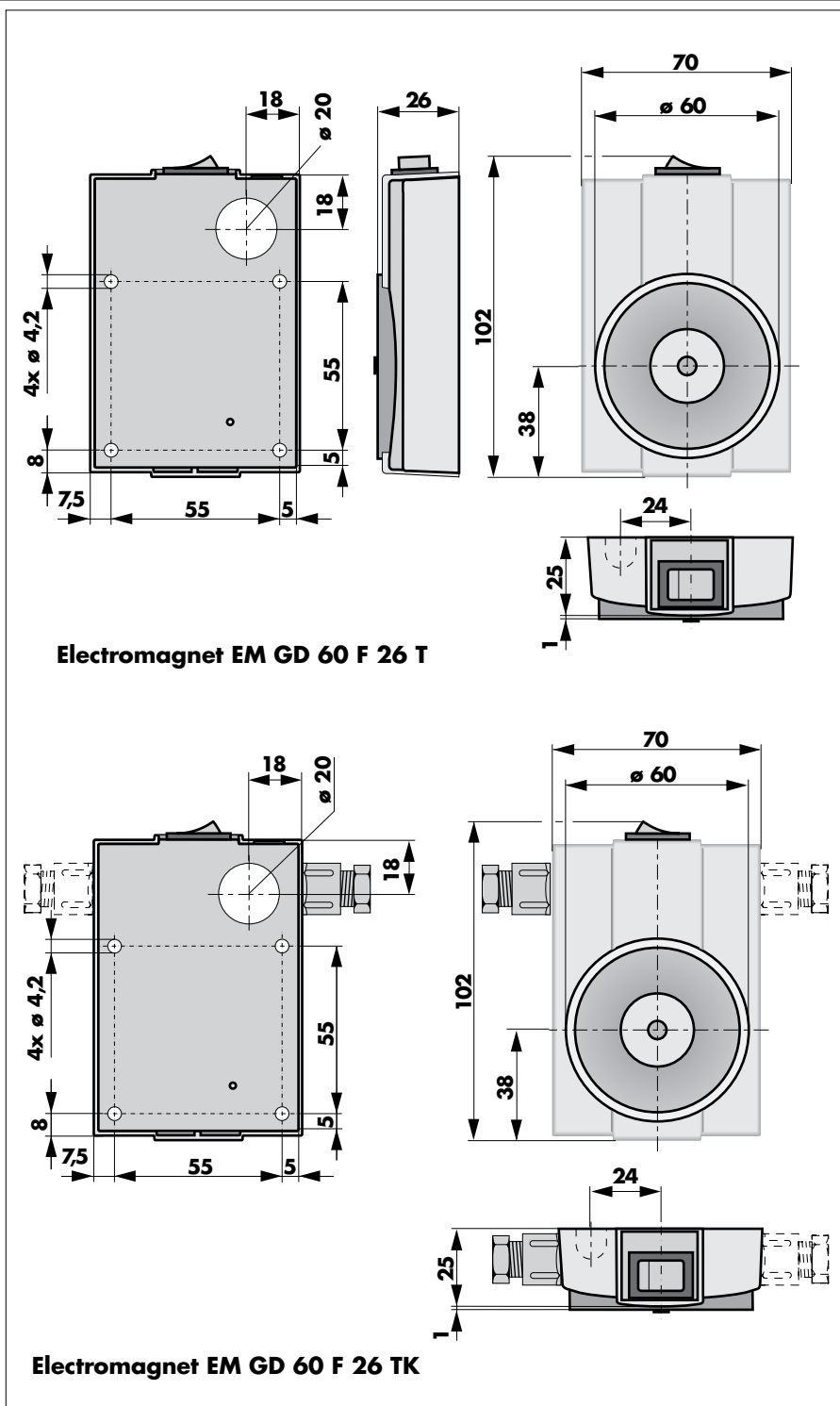
The electromagnets have been tested according to EN 1155:2003 and approved together with the DICTATOR smoke detectors RM 2000 and RM 3000+ by the German building supervision (approval no. Z 6.5-1903).



Technical Data

Voltage	24 VDC \pm 10 %
Power consumption	67 mA (1.6 W)
Duty cycle	100 %
Operating temperature	-20 °C to +60 °C
Force	700 N
Remanence	0 N
Finish	magnet and mounting plate zinc-plated
Colour of casing	white (plastic)

Dimensions



Order Information

EM GD 60 F 26 T electromagnet	force 700 N	part no. 040097
EM GD 60 F 26 TK electromagnet	force 700 N	part no. 040045