

Electromagnet For Installation on the Floor

DICTATOR electromagnets are used in hold open systems on fire protection doors. The EM GD 60 FB is designed for the installation on the floor.

Its casing, made of cast aluminium is rugged and solid. This is very important as due to its position on the floor it is bound to be hit or knocked at by cleaning machines, vacuum cleaners or even people. Or the floor is mopped frequently and the casing is quite often in contact with water. As the casing is made of aluminium it will not rust.

The floor magnet can be furnished either with or without a red interruptor key on the back of the casing.

DICTATOR magnets are equipped with a spark extinction diode. In the event of faulty connection, the integrated polarity protection prevents the spark extinction diode being destroyed.

The EM GD 60 electromagnet for the installation on the floor has been tested and is together with the DICTATOR smoke detectors RM approved by the German building authorities (**approval** no. Z-6.5-1903).



Technical Data

Voltage	24 VDC
Power consumption	67mA (1,6 W)
Duty cycle	100 %
Operating temperature	-20 °C up to +60 °C
Force	700 N
Remanence	0 N
Colour of casing	black, structured

Installation

The cable for the electric connection (24 VDC) of the magnet is run in the floor to the position, where the magnet is going to be fixed. The exact position has to be determined by opening the door and placing the magnet behind the opened door. If you have selected the magnet with interruptor key please make sure it is easily accessible.

Drill the holes for the dowels into the floor, using the template delivered with the magnet.

Connect the cable to the binders of the magnet and then fix the magnet with 3 screws to the floor.

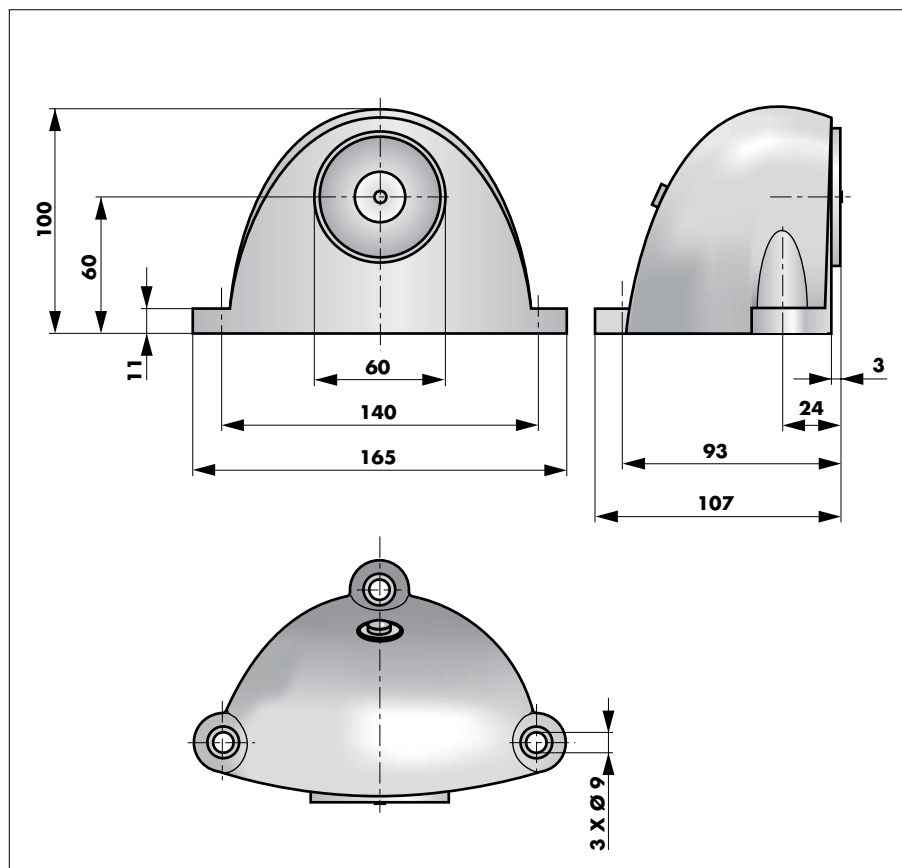
A counter plate needs to be fixed to the door as a counterpart to the magnet (use one of the series AP GD 60...). The diameter of the counterplate must match the diameter of the electromagnet. A selection of counter plates can be found later in this section.

Please note:

It must be possible to release a fire protection door held open by an electromagnet with a hand switch which is not hidden by the open door (DICTATOR hand switch part no. 040005, see illustration on left).



Dimensions



Order Information

EM GD 60 FB electromagnet	force 700 N	part no. 040370
EM GD 60 FB oT without interruptor key	force 700 N	part no. 040371