

## Telescopic Counter Plate with Damping

DICTATOR counter plates are used to provide the anchor for DICTATOR electromagnets. The integrated spring on telescopic counter plates **dampens the impact** of the doors on the magnet. They are therefore particularly recommended for **big, heavy doors**. They ensure the magnet remains on the counter plate even when the door hits the magnet at high speed and force. They also reduce unnecessary wear and tear on the door and magnet. The spring force is about 100 N on a stroke of 20 mm.

The new telescopic counter plates combine the advantages of both previous telescopic counter plates in one design: **rugged** and **solid** construction, a **modern** design and **economic** production.

The casing is made of **fiberglass reinforced plastic**. Due to the flexible joint below, the armature plate itself can compensate for angles up to 10° between magnet and counter plate. A spring integrated in the casing damps the impact of the door on the magnet. This prevents the door from springing back.

The counter plates have been tested in combination with DICTATOR electromagnets.



### Technical Data

Material of the casing	PA 66, glass-fiber reinforced
Colour of the casing	anthracite
Armature plate	zinc-plated steel
Damping force	100 N on a stroke of 20 mm

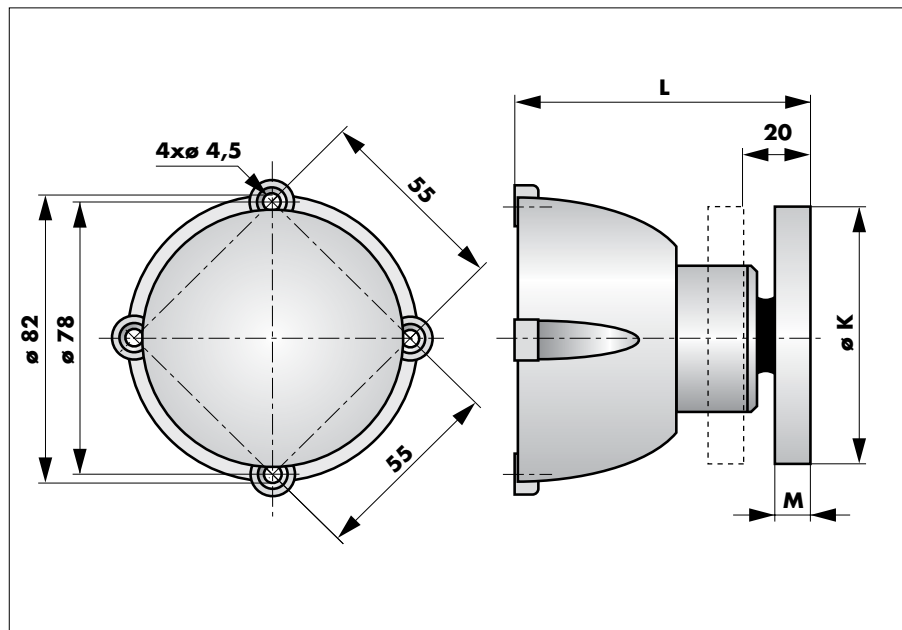
## Installation

The telescopic counter plate casing is fixed to the door with 4 M4 countersunk head screws. When fixing the telescopic counter plate, make sure that the surface of the plate lies flat against the magnet face and covers it completely. To achieve maximum holding force, the diameter of the counter plate must be at least the same as that of the magnet.

The surface of the counter plate must not be damaged (e.g. by scratching and painting) as this would reduce the holding force of the magnet.

Important: it is imperative to follow the instructions of the door manufacturer when mounting the counter plate on fire protection doors.

## Dimensions



Counter plate	K	L	M
AP GD 50 T 80	Ø 54	80	7
AP GD 60 T 80	Ø 64	80	7
AP GD 70 T 84	Ø 74	84	10

All dimensions in mm

## Order Information

AP GD 50 T 80 counter plate	Ø 54	part no. 040071
AP GD 60 T 80 counter plate	Ø 64	part no. 040028
AP GD 70 T 84 counter plate	Ø 74	part no. 040029