

Electromagnets with Connection Terminal

Models R, RI, F

DICTATOR electromagnets are used in hold-open systems to keep fire protection doors open.

Electromagnets of the ranges R, RI and F include magnets with diameters of 40, 50, 60 and 70 mm. They differ in force, design and size. They are provided with a connection terminal to allow for an easy installation.

The magnets and the mounting plates are made of steel and are zinc-plated.

DICTATOR magnets are equipped with a spark extinction diode. In the event of faulty connection, the integrated polarity protection prevents the spark extinction diode being destroyed.

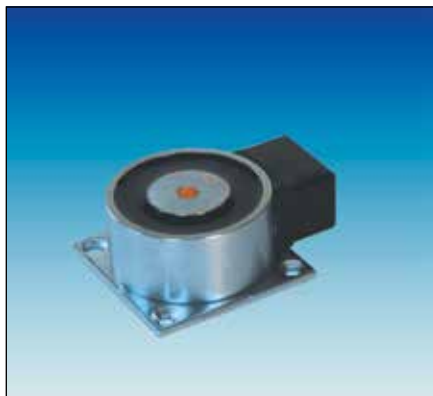
A special version of the electromagnet with connection terminal is furnished also for the use with both 24 VDC and 24 VAC (\varnothing 42 mm).

These electromagnets have been tested according to the EN 1155:2003 and in combination with DICTATOR smoke detectors RM 2000 and RM 3000+ are approved by the German building supervision (approval no. Z-6.5-1903).



Technical Data

Voltage, standard configuration	24 VDC \pm 10 %
Voltages, special configurations	24 VAC \pm 10 % , 230 VAC, 230 VDC
Power consumption	67 mA to 142 mA
Duty cycle	100 %
Operating temperature	-20 °C to +60 °C
Holding force	300 N to 2000 N
Remanence	0 N
Surface magnet, mounting plate	zinc-plated

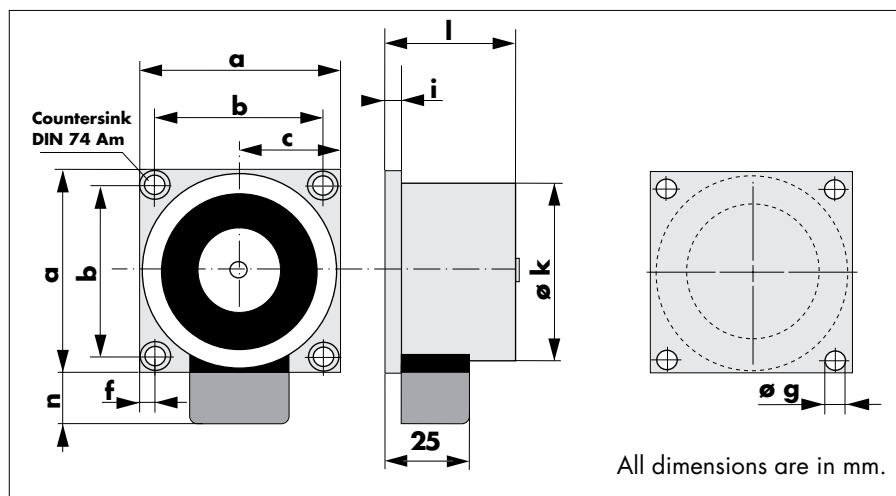


**Electromagnets with Connection Terminal
Model R**

The electromagnets of the R range are connected in the connection terminal fixed laterally to the magnet.

The R electromagnet with a diameter of 42 mm is available for the use with both 24 VDC and 24 VAC.

Dimensions



Type	a	b	c	f	g	i	k	l	n
EM GD 50 R 26	55	44	27.5	5.5	ø 4.5	3	ø 50	26	18
EM GD 60 R 26	65	55	32.5	5	ø 4.5	3	ø 60	26	18
EM GD 70 R 39	75	60	37.5	7.5	ø 5.5	4	ø 70	39	18

Technical Data

Electromagnet EM	Voltage	Power consumption	Holding force
GD 50 R 26	24 VDC ±10%	67 mA (= 1.6 W)	600 N
GD 60 R 26	24 VDC ±10%	67 mA (= 1.6 W)	700 N
GD 60 R 26 S	24 VDC ±10%	79 mA (= 1.9 W)	1000 N
GD 70 R 39	24 VDC ±10%	71 mA (= 1.7 W)	1450 N
GD 70 R 39 S	24 VDC ±10%	142 mA (= 3.4 W)	1700 N
GD 70 R 39 R	24 VDC ±10%	142 mA (= 3.4 W)	2000 N

Order Information

EM GD 50 R 26 electromagnet	force 600 N	part no. 040021
EM GD 60 R 26 electromagnet	force 700 N	part no. 040133
EM GD 60 R 26 S electromagnet	force 1000 N	part no. 040134
EM GD 70 R 39 electromagnet	force 1450 N	part no. 040023
EM GD 70 R 39 S electromagnet*	force 1700 N	part no. 040117
EM GD 70 R 39 R electromagnet*	force 2000 N	part no. 040118
EM GD 42 R 33, 24 VDC/AC*	force 500 N	part no. 040267

* These electromagnets are not approved by the building authorities.

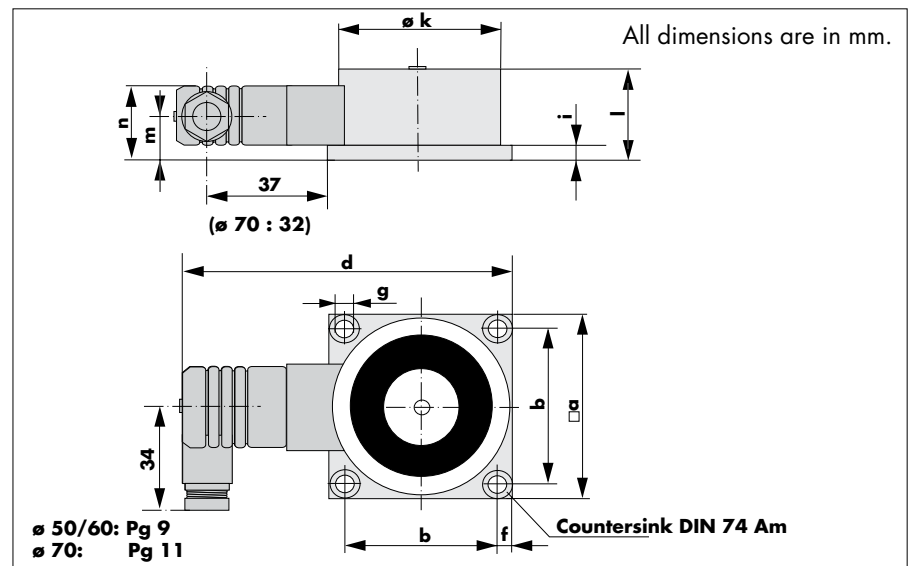
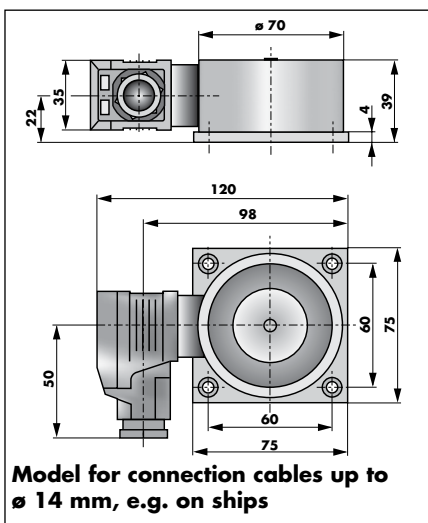


Electromagnets with Connection Terminal Model RI with Connection Terminal IP 65

The electromagnets of the RI range are connected in the waterproof plastic connection terminal. The EM GD 70 is also available with a Pg 13.5 inlet, especially for the use on **ships** with a larger cable diameter. In case the magnets are exposed to the **sun**, they are available with an UV resistant sealing compound.

The electromagnets EM GD 50 and 60 are designed to be used with both 24 VDC and 24 VAC.

Dimensions



Type	a	b	d	f	g	i	k	l	m	n
EM GD 50 R 26 I	55	44	100	5.5	$\varnothing 4.5$	3	$\varnothing 50$	26	14	25
EM GD 60 R 26 I	65	55	110	5	$\varnothing 4.5$	3	$\varnothing 60$	26	14	25
EM GD 70 R 39 I	75	60	118	7.5	$\varnothing 5.5$	4	$\varnothing 70$	39	20	35

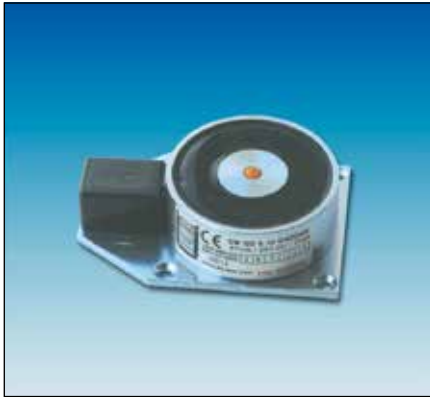
Technical Data

Electromagnet EM	GD 50 R 26 I	GD 60 R 26 I	GD 60 R 26 IS	GD 70 R 39 I
Voltage	24 VDC/AC $\pm 10\%$			24 VDC $\pm 10\%$
Power consumption	67 mA (1.6 W)	67 mA (1.6 W)	79 mA (1.9 W)	71 mA (1.7 W)
Holding force	600 N	700 N	1000 N	1450 N

Order Information

EM GD 50 R 26 I, 24 VDC/AC	600 N	part no. 040107
EM GD 60 R 26 I, 24 VDC/AC	700 N	part no. 040131
EM GD 60 R 26 IS, 24 VDC/AC	1000 N	part no. 040132
EM GD 60 R 26 IS, 24 VDC/AC UV*	1000 N	part no. 041014
EM GD 70 R 39 I, 24 VDC	1450 N	part no. 040108
EM GD 70 R 39 I, 230 VDC	1450 N	part no. 040208
EM GD 70 R 39 I, 230 VAC	1450 N	part no. 040259
EM GD 70 R 39 I, PG 13.5, 24 VDC	1450 N	part no. 040222

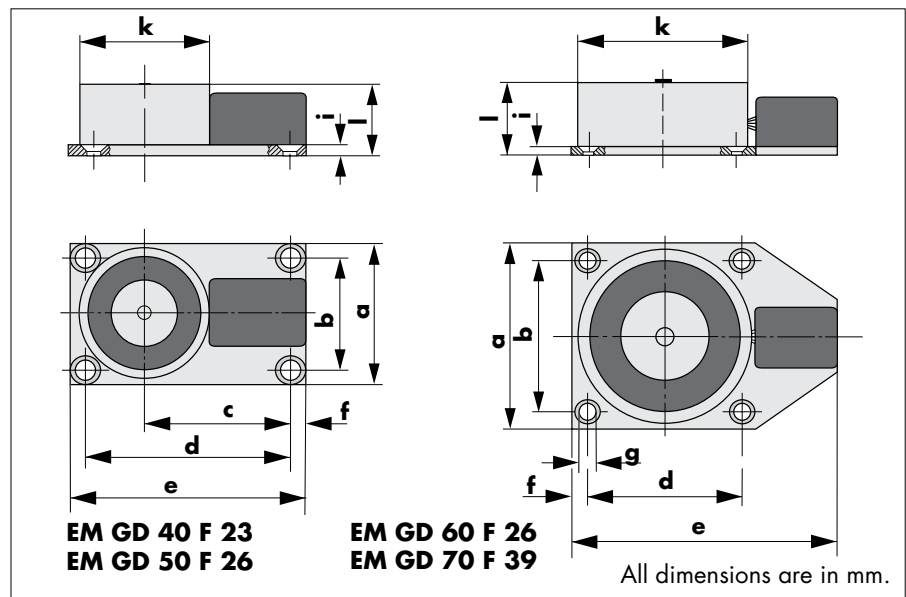
***The UV resistant sealing compound contains silikone!** (Colour: grey)



**Electromagnets with Connection Terminal
Model F**

Electromagnets of the range F include magnets with diameters of 40, 50, 60 and 70 mm. They differ in force and size (see technical data). The connection terminal is on the mounting plate of the magnet.

Dimensions



Type	a	b	c	d	e	f	g	i	k	l
EM GD 40 F 23	45	35	45	63	73	5	Ø 4.5	3	Ø 40	23
EM GD 50 F 26	55	44	51	74	83	4.5	Ø 4.5	3	Ø 50	26
EM GD 60 F 26	65	55	-	55	93	5	Ø 4.5	3	Ø 60	26
EM GD 70 F 39	75	60	-	60	103	7.5	Ø 5.5	4	Ø 70	39

Technical Data

* tested according to EN 1155

EM GD	Power consumption	Force	EM GD	Power consumption	Force
40 F 23*	75 mA (1.8 W)	300 N	70 F 39*	71 mA (1.7 W)	1450 N
50 F 26*	67 mA (1.6 W)	600 N	70 F 39 S	142 mA (3.4 W)	1700 N
60 F 26*	67 mA (1.6 W)	700 N	70 F 39 R	142 mA (3.4 W)	2000 N
60 F 26 S*	79 mA (1.9 W)	1000 N			

Order Information

EM GD 40 F 23 electromagnet	force	300 N	part no.	040085
EM GD 50 F 26 electromagnet	force	600 N	part no.	040106
EM GD 60 F 26 electromagnet	force	700 N	part no.	040049
EM GD 60 F 26 S electromagnet	force	1000 N	part no.	040163
EM GD 70 F 39 electromagnet	force	1450 N	part no.	040037
EM GD 70 F 39 S electromagnet*	force	1700 N	part no.	040115
EM GD 70 F 39 R electromagnet*	force	2000 N	part no.	040122

* These electromagnets are not approved by the building authorities.