

## TVS Door Locking System for Emergency Exit Doors or Access Control

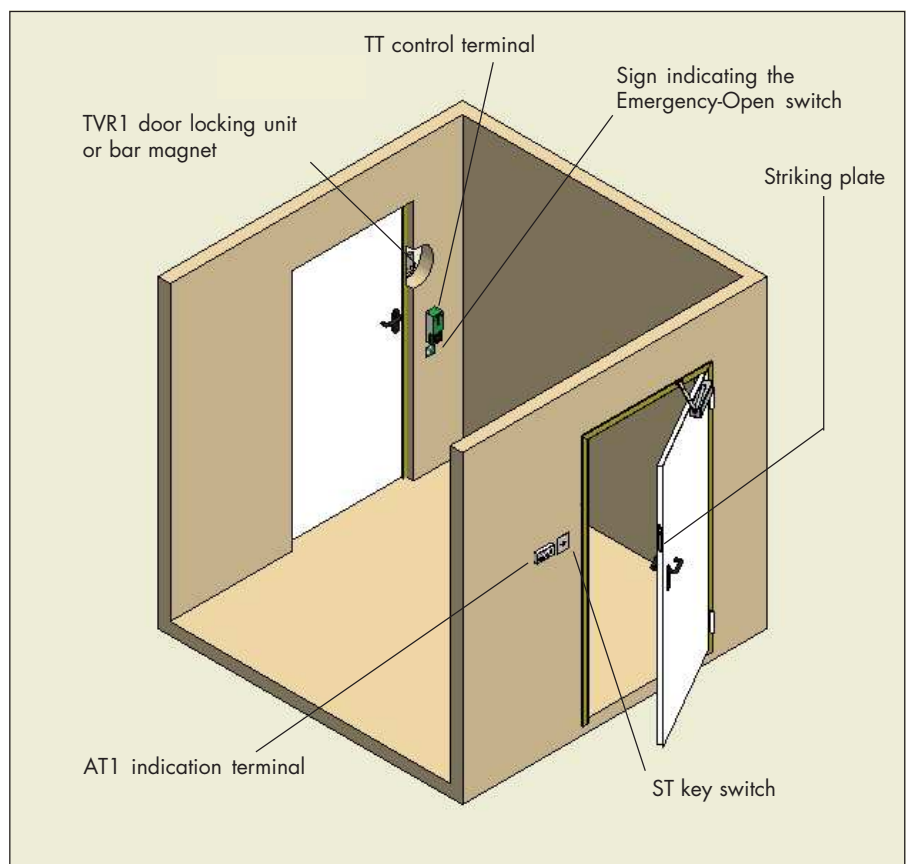
The DICTATOR TVS door locking system is the ideal solution for single door units not being integrated in central control systems, as it works completely on its own as a **stand-alone solution**. This also means an uncomplicated installation on already **existing doors**.

The TVS door locking system is used to securely lock emergency exit doors, at the same time making sure the door can be opened without problem in an emergency.

The TVS door locking system consists of several **components**. This permits to adjust the system to offer an **individual solution** for each application.

The door is locked either with the TVR1 door lock with a sturdy bolt-lock or with one of the approved bar magnets. An additional indication terminal allows the control of the door also from a remote place.

The DICTATOR door locking system has been **tested** by the **TÜV Thüringen** and is **approved for the use on emergency exit doors** (certificate P-2136/04).



### Components

TT1.1 control terminal with integrated power pack, alarm siren, key switch or

TT2 control terminal with extern power supply, alarm siren, key switch

TVR1 door lock or

Bar magnet (depending on the valid regulations, only use approved bar magnets)

AT1 indication terminal

Additional key switch

Access control

Additional power pack for TT2 control terminal



## TT Control Terminal - Functioning, Dimensions

The DICTATOR TT control terminal is the core of the DICTATOR TVS door locking system. The TT1.1 type has an integrated 24 VDC power supply for the door lock or bar magnet which reduces installation work. When using 2 bar magnets, the TT2 terminal (without integrated power supply) has to be chosen. Here a separate power supply has to be connected upstream (see page 08.042.00). The compact control terminal features the Emergency-Open-switch, a key switch, an indication of the present state and an alarm siren.

### Functioning

Normally the door is locked by a TVR1 door lock connected to the TT control terminal or a bar magnet. In an emergency the door can be unlocked by pressing the Emergency-Open switch integrated in the control terminal. This will automatically set off the alarm siren and furthermore the yellow LED is switched on. The same applies if somebody tries to manipulate the TT control terminal (sabotage contact).

After each alarm the TT control terminal has to be reset to return to normal function. This is done by unlocking the red push-to-lock Emergency-Open switch. In order to prevent unauthorised persons from unlocking this switch it is flush with a metal cover when actuated. It can be reset only after removing this metal cover.

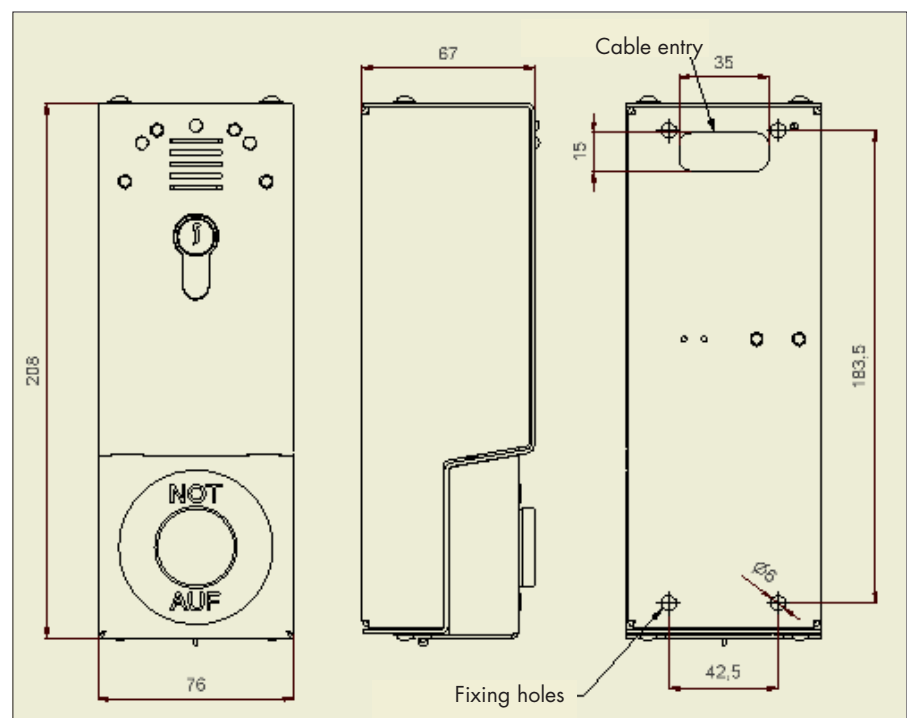
Whenever the door is used by authorised persons, the door can be unlocked using the key switch in the TT door terminal (position of the key "lock open"). In this case there is no alarm. The whole installation is armed again by turning the key switch back to position "lock closed". The current state of the door is indicated by the red and green LED on the control terminal.

The TT control terminal offers the possibility to connect further components such as the AT1 indication terminal.

The unlocking of the emergency exit door can also be done via an external fire or other control system, as long as it disposes of a potential-free break contact (NC).



### Dimensions





### TT Control Terminal - Technical Data, Installation

When using the TT2 control terminal you have to connect upstream the separate power pack, part no. 710780, to get the below mentioned connected loads.

#### Technical Data TT Control Terminal

	TT1.1	TT2
Rated voltage	230 VAC +10%/-15%	24 VDC +10%/-15%
	50/60Hz	
Power consumption terminal	0,2 A at 230 VAC	upstream supply 1,1 A
Own consumption terminal	max. 70 mA	max. 70 mA
Output voltage (secondary)	24 VDC stabilised	24 VDC stabilised
Output current for ext. consumers	350 mA	1030 mA
Switchable load	30 VDC/2A or 110 VDC/0.3 A or 230 VAC/25VA	
IP rating	IP 30	
Operating temperature	-10 °C to +40 °C	
Acoustic alarm	98 dB at a distance of 1m	
Casing	sheet steel casing with sabotage contact	
Colour of the casing	top part green (RAL 6032), bottom white (RAL 9003)	
Emergency-Open switch	push-to-lock, illuminated with a LED	
Key switch	prepared for a cylinder according to DIN 18252	
Components to be connected	max. 2 pcs. TVR1 or 1 bar magnet	max. 2 bar magnets
	alarm central with potential-free break contact (NC) alarm signal (e.g. AT1 indication terminal)	

#### Components Included TT1.1 Control Terminal

- Casing with integrated control unit and power pack
- Emergency-Open switch
- Key switch (without cylinder)
- Siren
- Visual indication (3 LEDs; green: unlocked, red: locked, yellow: alarm)
- Connection terminals for the external components

#### Components Included TT2 Control Terminal

- Casing with integrated control unit (separate power pack required)
- Emergency-Open switch
- Key switch (without cylinder)
- Siren
- Visual indication (3 LEDs; green: unlocked, red: locked, yellow: alarm)
- Connection terminals for the external components



## TVS Door Locking System Components, Order Information

The DICTATOR TVS door locking system consists of **several components**. The obligatory core is the TT control terminal. For the blocking of the door there are provided the TVR1 door lock (page 08.017.00) or approved bar magnets (page 08.019.00 et sqq.).

The installation can be enlarged with an additional key switch (see page 08.008.00), the AT1 indication terminal (see following page) and also access control systems (page 08.037.00 et sqq.).

### Secured Emergency Exits with the TVS Door Locking System

A typical TVS door locking system with its different components is shown on page 08.003.00.

If the TVS door locking system should stay in working condition even **during a power failure**, a **battery back-up has to be connected upstream** (see page 08.035.00). DICTATOR provides an UPS battery back-up (see page 08.045.00). When using the TT1.1 control terminal it is connected upstream to the TT1.1 control terminal or with the TT2 control terminal upstream the entry of the separate power supply of this control terminal.

The following **combinations** have been tested and approved by the TÜV Thüringen:

- TT1.1 control terminal with max. 2 TVR1 door locks or 1 bar magnet
- TT2 control terminal with separate power supply and max. 2 bar magnets
- on a one-leaf door
- on a two-leaf door
- on two one-leaf doors, that are located directly beside each other

The DICTATOR TT control terminal has to be installed right at the door or between the two doors. It is designed for surface installation.

Please observe any regulations concerning electrical blocking devices on emergency exits.

### Order Information TT

TT1.1 control terminal	Part no. 710786
TT2 control terminal	Part no. 710766

### Order Information Required Accessories (either TVR1 door lock or bar magnet)

TVR1 door lock, for left hand doors	Part no. 710750
TVR1 door lock, for right hand doors	Part no. 710751
FH 300K bar magnet, surface type	Part no. 040671SET
FH 300-2K bar magnet, surface type	Part no. 040673SET
FH 300UK bar magnet, flush mounting	Part no. 040281SET
FH 550K bar magnet, surface type	Part no. 040285SET
FH 550-2K bar magnet, surface type	Part no. 040279SET

### Order Information Other Accessories

AT1 indication terminal	Part no. 710754
Key switch (flush installation) for the opposite side	Part no. 700115
Separate power pack 1.1 A	Part no. 710780
UPS power supply ellipse 750 (230 VAC)	Part no. 710785



### AT1 Indication Terminal for Additional Control

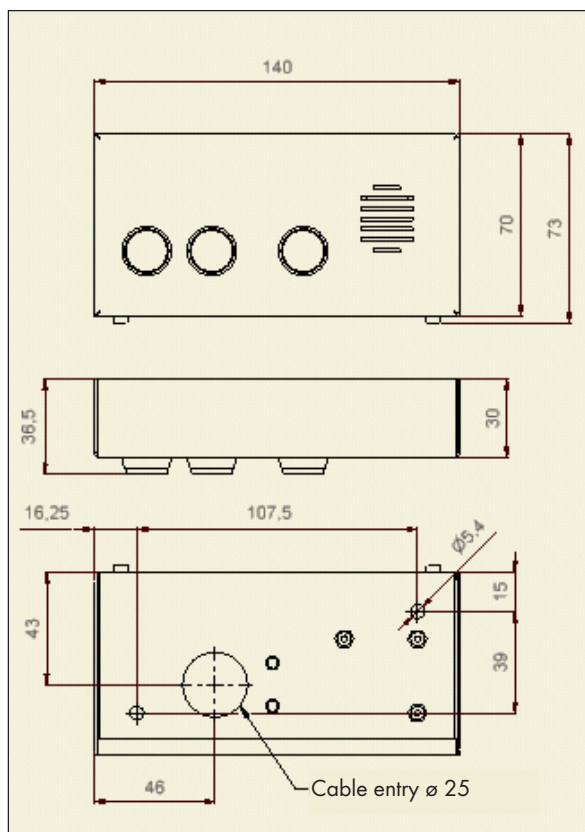
The AT1 indication terminal makes the DICTATOR TVS door locking system a comfortable solution for securing emergency exits. The indication terminal can be installed at a maximum 30 m off the emergency exit door, e.g. at a cash desk. This permits to keep the door under surveillance even when it is not possible for somebody to be permanently near the door. It is possible to connect several indication terminals - if permitted by the remaining capacity of the power supply of the TT1.1 or the separate power supply of the TT2 control terminal.

### Functioning / Installation

With its three large LED indicators and the acoustic signal the AT1 indication terminal shows the current state of the emergency exit door. If the door is unlocked on intention the green LED is on. In case of an unlocking because of sabotage or

manipulation on the door lock, or when the Emergency-Open switch has been pressed, the yellow LED lightens up as well. As long as the door is locked normally the red LED is on.

### Dimensions



The AT1 indication terminal is surface fixed directly to the wall. The inferior part of the casing is provided with holes for this. The lid of the casing has to be removed for the installation.

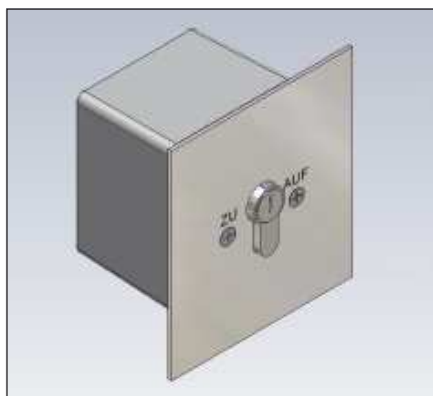
The AT1 indication terminal is wired directly to the four provided connection binders in the TT control terminal. In case several AT1 terminals are used they have to be paralleled outside the TT terminal.

### Technical Data AT1 Indication Terminal

Rated voltage	24 VDC, supplied by the TT1 or TT2
Power consumption	56 mA
Max. distance to the TT	30 m (cable 4 x min. 0,5 mm <sup>2</sup> )
Operating temperature	- 10 °C to + 40 °C
Acoustic alarm	98 dB at a distance of 1 m
Casing	white sheet steel casing, RAL 9003

### Order Information

AT1 indication terminal	Part no. 710754
-------------------------	-----------------



## Separate Key Switch

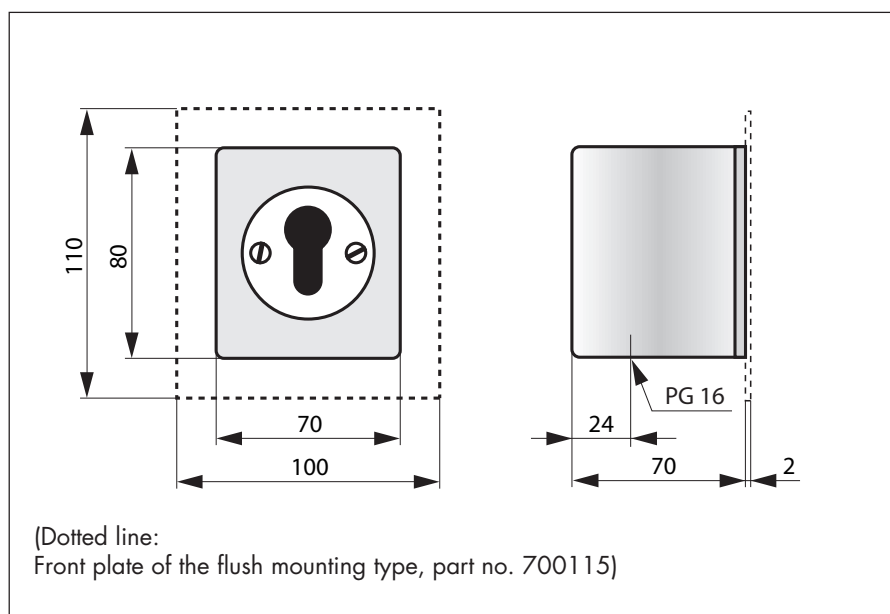
In order to be able to unlock the emergency exit door also from the side opposite the TT control terminal DICTATOR furnishes separate key switches. They are available both for surface and flush installation. For the key switch a cylinder according to DIN 18252 is required. Normally this should be the same as used in the TT control terminal.

## Connection / Installation

The key switch is connected in the control terminal in parallel to the key switch integrated in the TT terminal.

The key switch is delivered without cylinder.

## Dimensions



## Order Information

Key switch OPEN - CLOSE for half cylinder locks, surface type	Part no. 700114
Key switch OPEN - CLOSE for half cylinder locks, flush mounting	Part no. 700115
Half cylinder lock DIN 18252	on demand