



Graceful door closer

The TJSS T6 Cam-action door closer with slide channel





The new TJSS T6

Perfectly designed opening action

The TJSS T6 sets new standards in the construction of door closers. Its clear linear form, quality materials and compact housing make every door look good.

Designed for an improved opening action, it combines patented innovations with 70 years of experience in the construction of door closers. The result is impressive: Less effort, more user-friendly closing action and a more consistent closing speed. Thanks to its outstanding intrinsic values, the T6 satisfies all the regulatory standards with ease, from fire protection to accessibility. This single model fits doors from 0.6 to 1.4m wide. Other special models for specific applications complete this range. The versatility of the T6 means it can be used on almost every door.

The TJSS T6. Designed and manufactured in Switzerland.



Design

Compact design concept



Quality features

A Design

A modern concept in a sleek design based on high-quality architecture. The housing is cast from a single piece of aluminium and the controls are covered with panels of solid stainless steel.

B Technology

Small but powerful – the slim housing of the T6 does not just look good, its intrinsic values make it shine: Patented hybrid drive, teflon bearing piston, thermostable valves. High-tech functionality for an improved opening action.

C Quality

Renowned TJSS quality, owing to 70 years experience in the construction of door closers. Developed and manufactured in Switzerland, with a 5 year manufacturer's warranty.



The smallest in its class

With a mounting height of just 43 mm and an overall height of 53 mm, the T6 is designed to be extremely compact. It not only looks good, but also means it can be reliably installed in confined spaces.

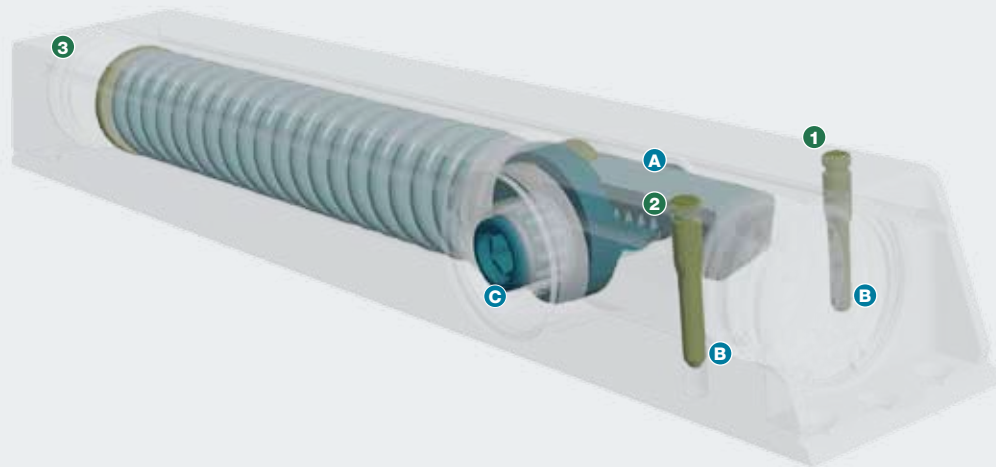
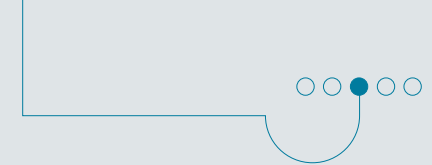


Short and sweet

With its optional short rail, the T6 looks like it is made from a single piece: A visual impression of unified body and rail, with the most negligible of gaps. The T6 fits perfectly in the door frame.

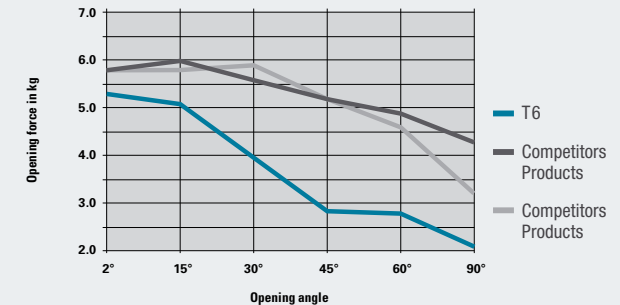
Technology

High-tech functionality for an improved opening action



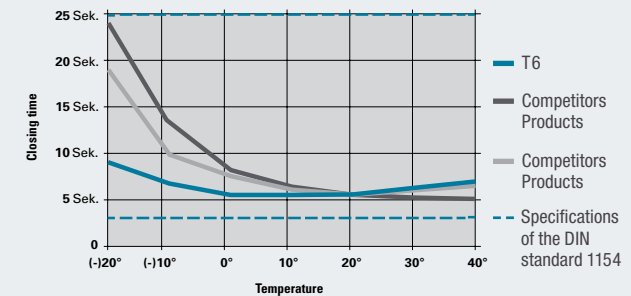
A Smoother opening/closing action

Thanks to its pistons and sliding rollers mounted in teflon, the T6 is top of the class when it comes to low-resistance fluidity. Your benefits: Around 20% less effort when opening the door – which is of particular importance for children and the elderly.



B No additional adjustments in winter

The patented thermostable adjusting valves guarantee a consistent closing speed, even with fluctuating temperatures (e.g. on external doors). It is not necessary to make any seasonal adjustments for winter.

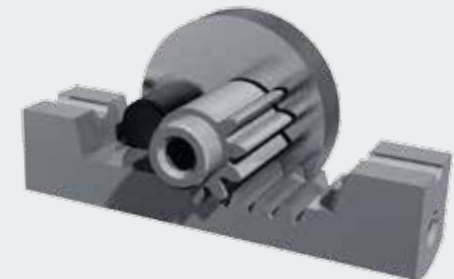


Settings

- 1** Infinitely adjustable closing speed (180–0°)
- 2** Infinitely adjustable latching action (7–0°)
- 3** Closing force adjustment for doors between 0.6 – 1.4m wide

C More user-friendly closing

The patented gear-cam hybrid drive combines the best of two worlds: An optimum force path thanks to the cam drive, enormous closing force and compact dimensions with a gear drive.



Function

The right solution for every application

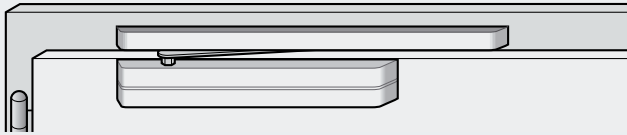


Specifications

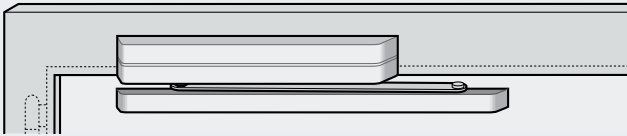
Cam-action door closers with slide channel for fire doors in accordance with EN1154, sizes 2-6. DIN approved for both left and right doors. Adjustable closing force, closing speed and latching action. Accessibility according to DIN 18040, easy door opening according to DIN SPEC 1104.

Mounting methods

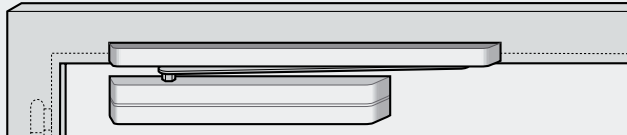
A Hinge-side standard installation – T6



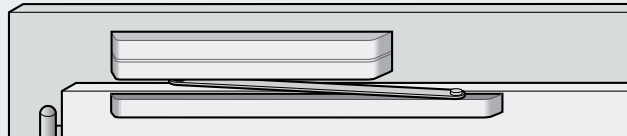
B Counter-hinge-side head installation – T6



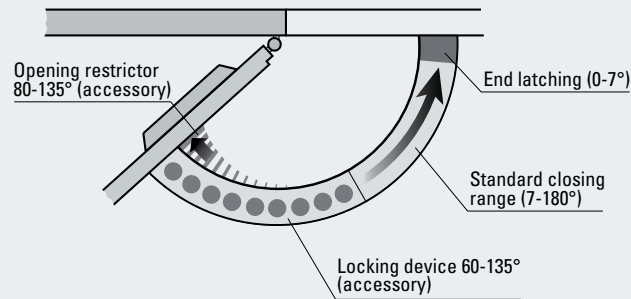
C Counter-hinge-side door leaf installation – T6G



D Hinge-side head installation – T6G



Closing procedure



Models

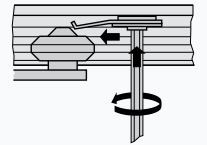
Art. No.	Model	Description
3.60.x	T6 L	For hinge-side standard installation or counter-hinge-side head installation, size 2 – 5
3.61.x	T6	For hinge-side standard installation or counter-hinge-side head installation, size 3 – 6
3.62.x	T6 GL	For counter-hinge-side standard installation or hinge-side head installation, size 2 – 5
3.63.x	T6 G	For counter-hinge-side standard installation or hinge-side head installation, size 3 – 6
All T6s are available with either a standard or short rail		
4.02.x	T6 GSR	Closing sequence regulator for double leaf doors (optional fire control/EMF)
4.12.x	T6 EMF	With electromechanical locking device (connection to the fire protection system)
4.61.x	T6 FLight	Free-wheel door closer with magnetic clamp (connection to the fire protection system)

Accessories

Locking device

Art.No. 3.21.0

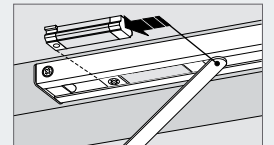
Locks the door at any angle, setting range 60-135 °, can be combined with opening restrictor



Opening restrictor & delimiter

Art.No. 3.27.0

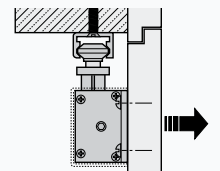
slows down and stops the door at the desired angle, setting range 80-120 °, can be combined with locking device



Special slide rail for a lintel installation

Art.No. 3.31.1

allows the mounting of the slide rail from the bottom of the door frame



Universal mounting plate

Art.No. 3.39.x

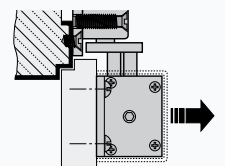
Installation of the T6 on existing holes of all common doors closer makes



Backing plate for slide rail

Art.No. 3.40.x

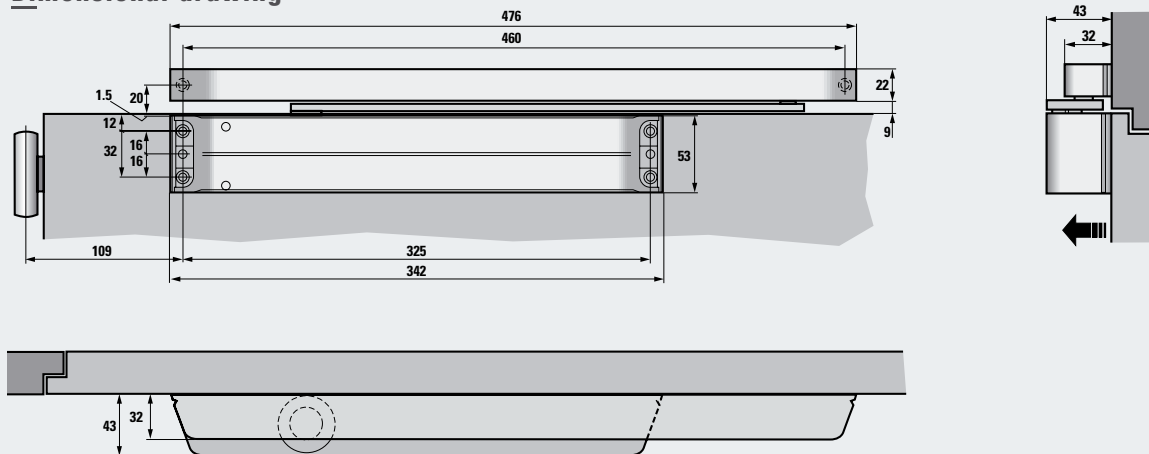
For installations on narrow or recessed frames



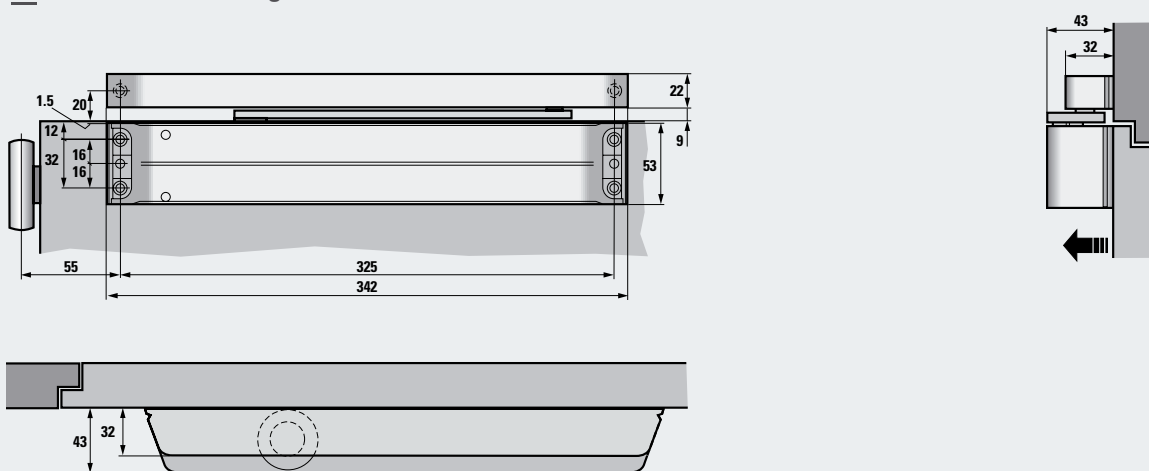
Technical Data

Dimensions and specifications

Dimensional drawing



Dimensional drawing for the short rail



Specifications and features

Description	T6 L	T6
Art.No.	3.60.x	3.61.x
Sizes (EN)	2-5	3-6
Door width (min./max.)	0.6-1.2 m	1.0-1.4 m
Max. opening angle		180°
Tested for fire safety EN1154		yes
Accessibility according to DIN 18040		yes
Easy door opening according to DIN SPEC 1104		yes
Same design for left / right	yes	yes
Infinitely adjustable closing force		yes
Infinitely adjustable latching		yes
Thermostables valves		yes
Opening restrictor/limitation		accessory
Mechanical locking		accessory
Length		342 mm
Installation depth		43 mm
Height		53 mm
Gross weight		2.95 kg

Colours

Art. No.	Colour	Colour sample
x.xx.1	silver	
x.xx.2	white	
x.xx.4	anthracite	
x.xx.5	metallic	anodised & polished at an additional cost
x.xx.9	special	RAL / NCS colours at an additional cost



TJSS. Swiss door closers since 1944

DICTATOR Productie B.V.

Energieweg 11, NL-8304 AJ EMMELOORD

Tel. +31 527 61 34 56

Fax +31 527 69 84 20

info@dictator.nl, www.dictator.nl