

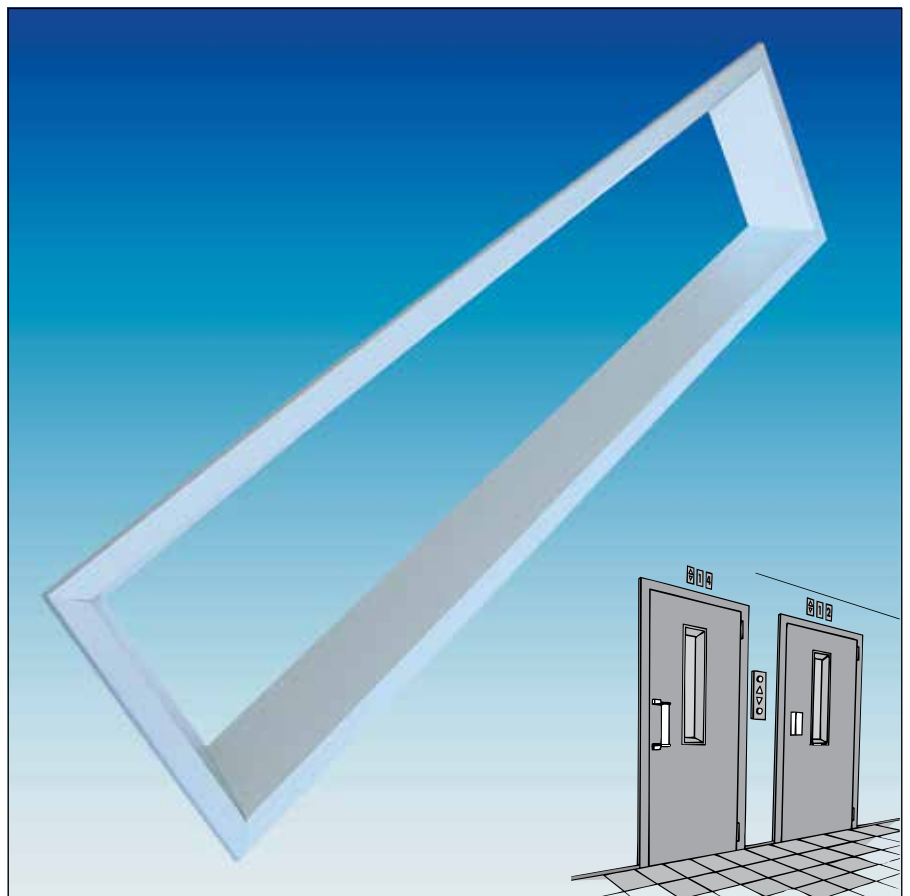
Door Handles and Window Frames for Hinged Lift Doors

DICTATOR provides a range of door handles for lift doors. They are especially robust and indifferent to damages and high strain. They are also suitable for outdoor use.

They are constructed in a special aluminium alloy. The standard finish is anodised silver. With higher quantities there are also other colours possible.

Our standard products are listed on the following page. But we can supply to your own requirements. Please ask for a quotation.

Matching the door handles DICTATOR also furnishes window frames for lift doors. Apart from the standard type "H" we also provide window frames according to your requirements.



Technical Data

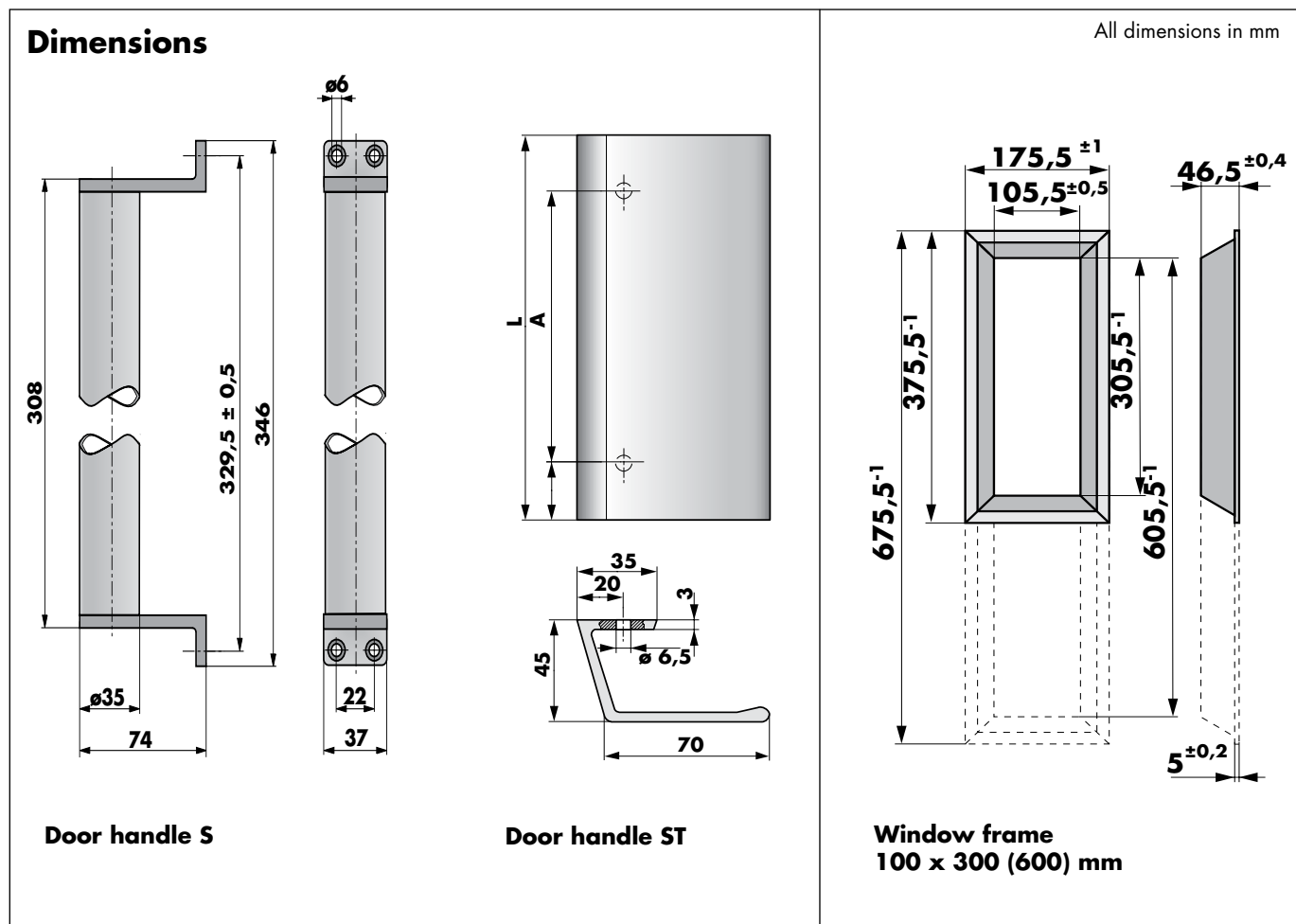
Finish	anodised silver
Material	aluminium (AlMgSi 0.5)
Special designs	varnished steel



Door Handles and Window Frames for Hinged Doors

DICTATOR door handles model "S" consist of a tube and two holding brackets. All parts are made of aluminium and are silver anodized. The "S" model door handle is fixed to the door with 4 M5 screws. The "ST" door handles are made of an U-shaped aluminium profile. Please make sure that the area where the handles are fixed is stable enough, if necessary weld a counter plate with M5 threads into the door.

The window frames are fitted into the cut-out provided in the door and are clicked into place.



Order Information

ST Door handle (silver)	A = 100	L = 120	part no. 090027
ST Door handle (silver)	A = 120	L = 170	part no. 090012
ST Door handle (silver)	A = 120	L = 200	part no. 090030
ST Door handle (silver)	A = 160	L = 200	part no. 090028
ST Door handle (silver)	without holes	L = 280	part no. 090016
S Door handle (silver)			part no. 090014
Window frame 100 x 600 mm "H", silver anodised aluminium			part no. 090001
Window frame 100 x 300 mm "H", silver anodised aluminium			part no. 090017