

Dictator VS 2000 Door Check

Top-of-the-Range Model

The top-of-the-range Dictator door check is the VS 2000. It is also suitable for heavy doors.

The VS 2000 is easy to install due to its patented fixing system with integrated hinged mounting plate. All fixing elements are hidden, so the hook and slimline body form an aesthetically pleasing unit.

The VS 2000 door damper is usually mounted vertically in the centre of the door face. By default, the executions with 20 N and 50 N, however, can also be mounted horizontally.

The door damper VS 2000 is in particular for overlapping and flush doors. To make up for the height difference between door leaf and frame every door check comes with 3 plastic spacers of different thicknesses for the hook.

By default the VS 2000 is chrome or colour coated, a stainless steel version is not available.

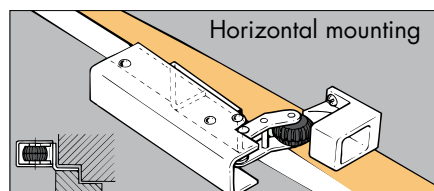
For narrow steel door frames special fixing plates to weld on are available, and for thin-walled steel doors large mounting plates.



Technical Data

Types of doors	left and right operating, overlapping and flush doors
Closing force	20, 50, 80 or 115 N (measured on the door check)
Damping characteristics	progressive, adjustable closing speed
Damping fluid	silicone oil, almost independent of temperature
Mounting possibilities	vertically or horizontally (20 N and 50 N by default)
Components included	door check, hook, 3 plastic plates for the hook, screws
Finish	polished and satin chrome, golden, colour coated
Recommended accessories	Piccolo or concealed jamb closer closing spring

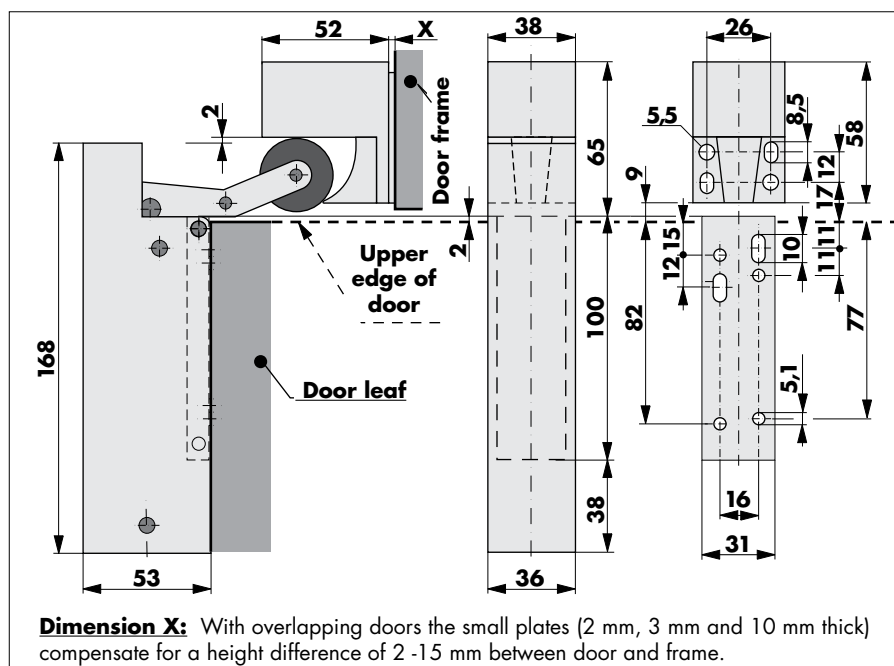
Mounting



The VS 2000 DICTATOR door damper is vertically fixed with its pivoting base plate, usually in the centre of the upper door leaf. The hook is at the correct height when the rubber roller on the bent lever only just touches the front edge of the hook when closing. Important: with overlapping doors the plastic plates must be used to compensate for a height difference between body and hook.

For a horizontal mounting there are available special mounting brackets or plates (see page 02.022.00). In case the door check is mounted right at the closing edge of the door, you should choose a model with 20 N closing force.

Dimensions



Order Information

(Further types on request)

VS 2000 door check, hook 1020,	20 N,	polished chrome	part no. 300575
VS 2000 door check, hook 1020,	20 N,	satin chromed	part no. 300575X
VS 2000 door check, hook 1020,	20 N,	RAL 9010 white	part no. 300520
VS 2000 door check, hook 1020,	20 N,	RAL 8017 brown	part no. 300556
VS 2000 door check, hook 1020,	50 N,	polished chrome	part no. 300500
VS 2000 door check, hook 1020,	50 N,	satin chromed	part no. 300500X
VS 2000 door check, hook 1020,	50 N,	RAL 9010 white	part no. 300511
VS 2000 door check, hook 1020,	50 N,	RAL 8017 brown	part no. 300525
VS 2000 door check, hook 1020,	50 N,	golden shining	part no. 300513
VS 2000 door check, hook 1020,	80 N,	polished chrome	part no. 300550
VS 2000 door check, hook 1020,	80 N,	satin chromed	part no. 300550X
VS 2000 door check, hook 1020,	80 N,	RAL 9010 white	part no. 300554
VS 2000 door check, hook 1020,	115 N,	polished chrome	part no. 300560
VS 2000 door check, hook 1020,	115 N,	satin chromed	part no. 300560X
VS 2000 door check, hook 1020,	115 N,	RAL 9010 white	part no. 300564

Mounting Accessories

For the mounting of the VS 2000 different mounting plates and brackets are available. Please see Mounting Plates and Brackets for Door Checks beginning on page 02.019.00.