

DICTIONATOR H 1300 Door Check

With Reinforced Joint for Particularly Heavy Doors

The H 1300 door check has a reinforced joint and a longer roller lever. This gives it a longer life, even when mounted on very big and heavy doors.

Progressive damping is particularly important with big doors as the speed of impact increases the further away the door damper is from the door hinge. The damping is adjustable.

The H 1300 door damper consists of the casing with roller lever, a damping cylinder and the hook. It is suitable for left and right operating doors. Thanks to different hooks it can be used on overlapping, flush and recessed doors.

By default the H 1300 door check is available only with nickel plated finish. Colour coating and stainless steel are not possible.

To make mounting easier and more reliable, special fixing plates for the hook are available, which can be welded onto narrow steel door frames. Large mounting plates for thin-walled steel doors are also available.



Technical Data

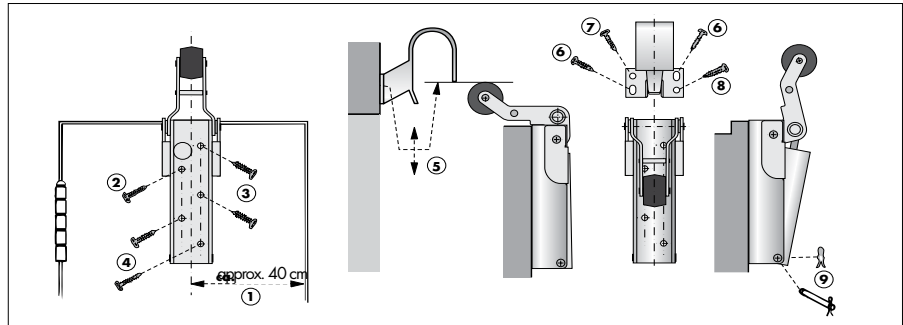
Types of doors	left and right operating, overlapping, flush, recessed doors
Closing force	20, 50, 80 or 115 N (measured on the door damper)
Damping characteristics	progressive, adjustable closing speed
Damping fluid	silicone oil, almost independent of temperature
Components included	door damper, hook, screws
Finish	nickel plated
Recommended accessories	Piccolo or Concealed jamb closer closing spring

Mounting

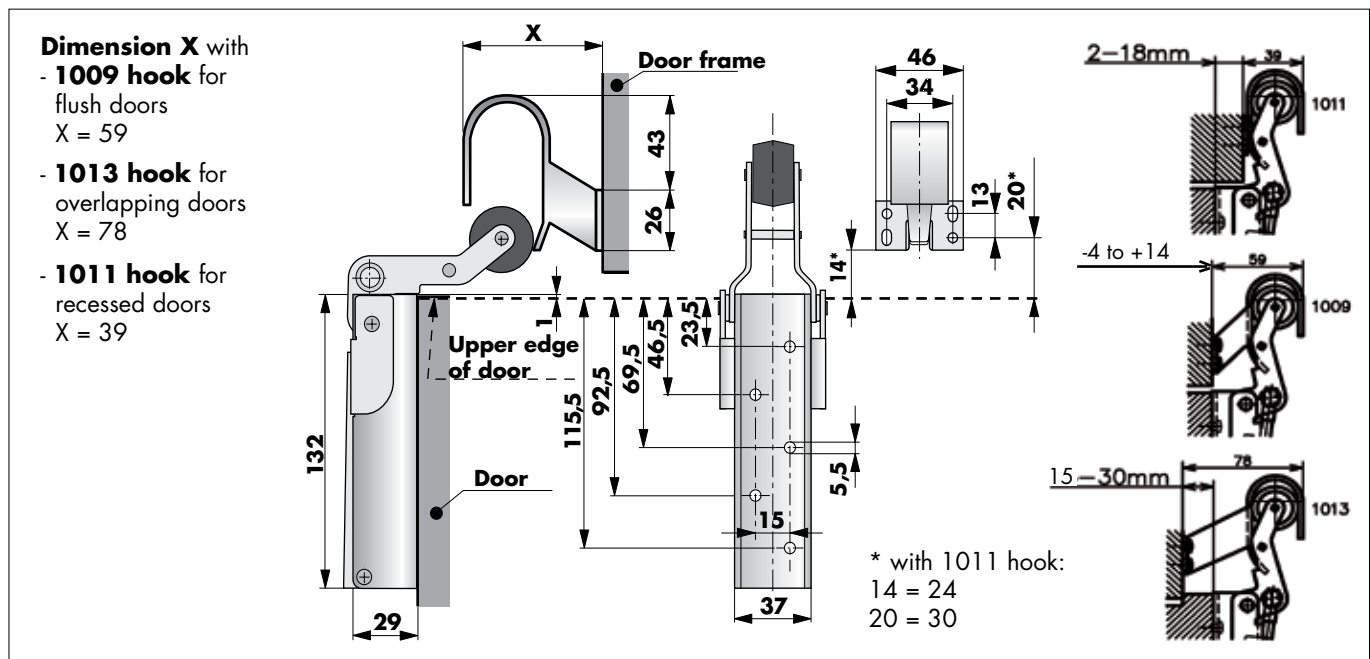
The installation procedure is shown below.

Important: the upper edge of the casing should overlap the upper edge of the door by about 1 mm. The hook should be mounted so that the rubber roller on the bent operating lever only just touches the front edge of the hook when closing.

The H 1300 door damper is available with different hooks for overlapping, flush or recessed doors (type 1009, 1013 or 1011).



Dimensions



Order Information

(Further types on request)

H 1300 door check, hook 1009, 50 N, nickel-plated	part no. 300110
H 1300 door check, hook 1011, 50 N, nickel-plated	part no. 300120
H 1300 door check, hook 1013, 50 N, nickel-plated	part no. 300100
H 1300 door check, hook 1009, 80 N, nickel-plated	part no. 300140
H 1300 door check, hook 1013, 80 N, nickel-plated	part no. 300130
H 1300 door check, hook 1009, 115 N, nickel-plated	part no. 300145
H 1300 door check, hook 1013, 115 N, nickel-plated	part no. 300135

Mounting Accessories

For the H 1300 there are available different mounting plates and brackets. Please see Mounting Plates and Brackets for Door Checks beginning on page 02.019.00.