

## Piccolo Closing Spring

This simple, reliable closing spring is suitable for light doors such as interior, kitchen, toilet and restaurant doors.

Special features of the Piccolo include its small size and unobtrusive design (no operating lever). This also protects it against vandalism.

The spring force is fully adjustable. The force is transferred to the door by means of a pushing plate. The plate slides on a self-lubricating ring which protects the door from damage.

On larger doors several Piccolo closing springs can be fitted, thus increasing the closing force.

In order to make up for height differences between the door and frame in recessed doors, special spacing washers are supplied with every Piccolo.

The Piccolo is also available in stainless steel for use on outside doors.

The great versatility of the Piccolo is increased by special designs for special applications.



### Technical Data

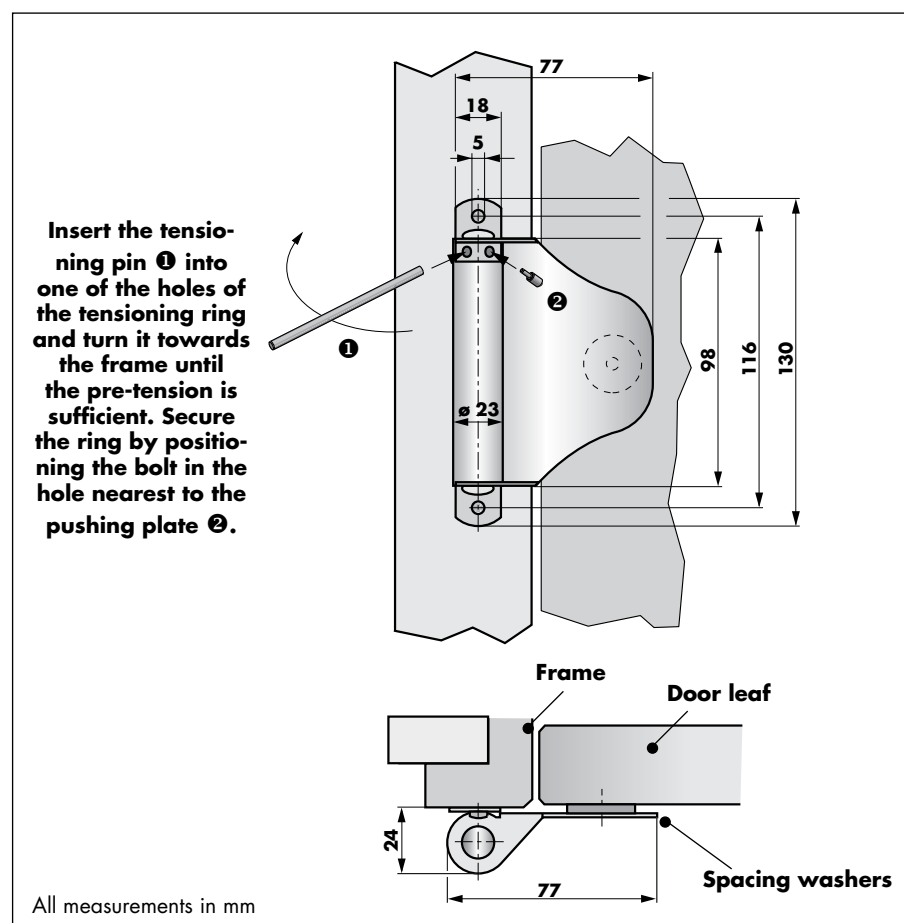
Material	nickel-plated or stainless steel
Spring force	10 - 50 N (adjustable)
Opening angle	max. 90°
Accessories included	3 spacing washers

## Mounting

Screw the Piccolo to the frame with the two half-round screws. Then fix the self-lubricating ring and the washers to the door. They should be just covered by the pushing plate. The pushing plate must always lie parallel to the door leaf. For recessed doors please place the additional spacing washers under the self-lubricating ring.

Now tension the closing spring with the tensioning pin. The pretension should not exceed half a turn (= 2 holes) of the adjusting ring. The ring is secured in the pretensioned position with a securing bolt being placed into the hole nearest to the pushing plate.

## Dimensions



## Order Information

Piccolo closing spring

part no. 300340

Piccolo closing spring, AISI 304

part no. 300339