

## Sliding Door Drive

### DICTAMAT OpenDo

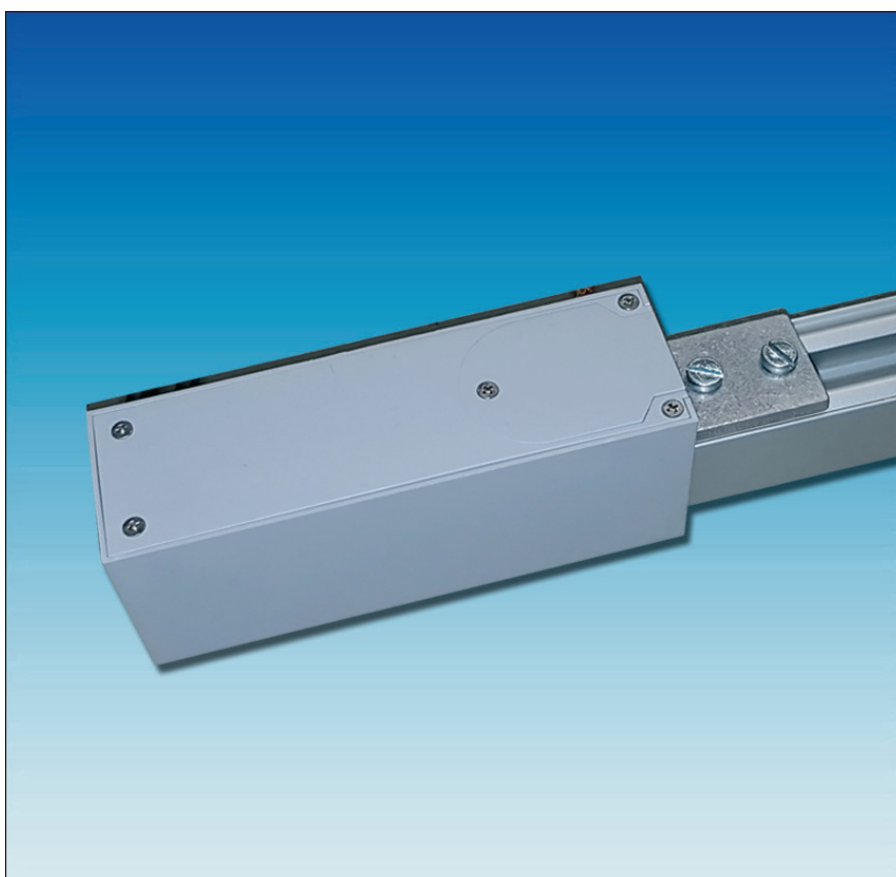
The DICTAMAT OpenDo is a compact door operator for single and double-leaf sliding doors of a maximum width of 1600 mm. It is easy to install and the complete kit includes the rail. It is available for timber and glass doors.

This door operator is ideal for offices, surgeries, nursing homes, apartments for disabled persons etc.

It needs extremely little space and offers many operating options. The control system as well as the transformer are installed into a standard surface or flush-fitting switch box.

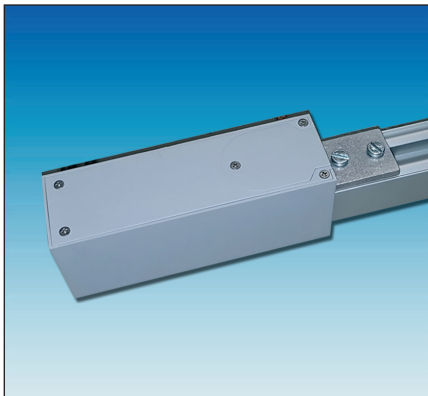
It offers very high safety due to the force reversal system controlled by a microprocessor. As soon as the door encounters an obstacle it will stop and then reverse, i.e. move in the opposite direction. The control system also automatically reduces the speed shortly before arriving at the final positions, thus offering additional safety and sparing the door and the mechanism.

Mounting is very simple due to the coordinated components. Placing into operation comprises an automatized teach-in run to learn the final positions. Also "programming" the control functions is very easy.



### Overview

Door width (max.)	single-leaf doors: 1100 mm, on demand also up to 1600 mm; double-leaf doors: 1058 mm per leaf
Door thickness	timber: 20 - 50 mm, glass 10 mm (on demand also 12 mm)
Door weight	max. 80 kg, double-leaf doors: max. 40 kg per leaf
Position control	"learns" the positions by teach-in run
Basic functions	OPEN, CLOSE (per impulse or automatically by automatic closing), reversing when recognizing an obstacle
Operation	standard: key or push-and-go; options: remote control, radar

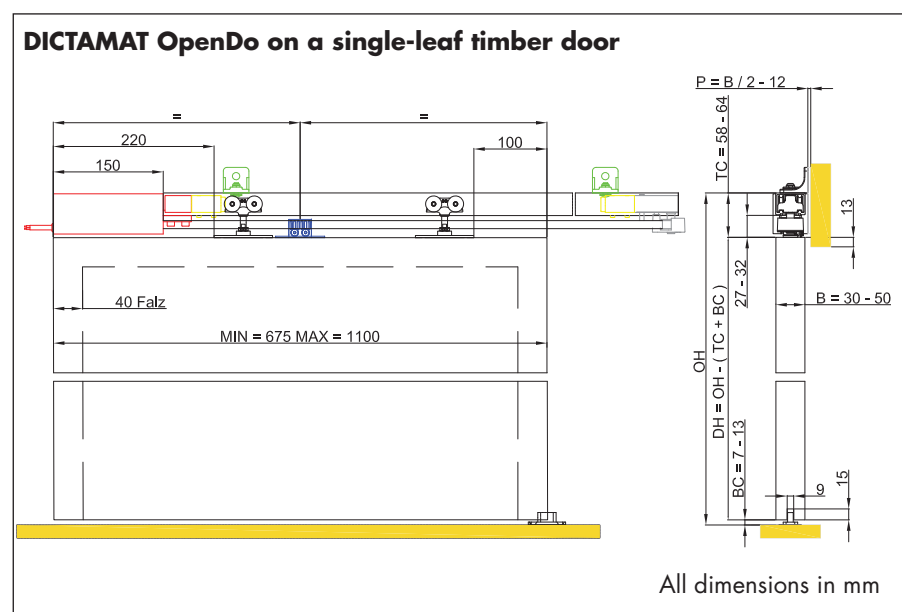


## Dimensions, Technical Data

The driving unit of the DICTAMAT OpenDo is very small. It just measures 145 x 55 x 45 mm.

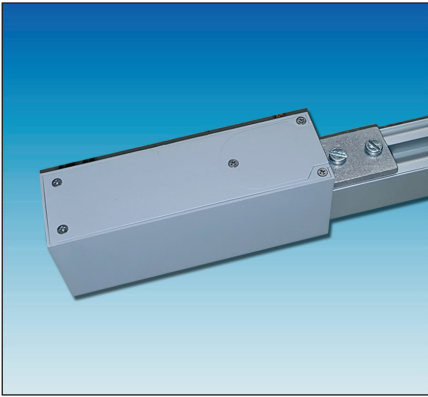
The door drive is supplied complete with the rail. The rail can be fixed by means of the included brackets to the wall or from below directly to the ceiling.

## Dimensions



## Technical Data DICTAMAT OpenDo

Door width	standard version for single-leaf doors: 675 mm to 1100 mm; on demand up to 1600 mm  standard version for double-leaf doors, per leaf 675 mm to 1058 mm; both door leaves must have the same dimensions!
Door weight	single-leaf doors: max. 80 kg double-leaf doors: max. 40 kg/leaf
Door thickness	timber: 30 - 50 mm, glass 10 or 12 mm
Speed	max. 0.26 m/s; adjustable, depends on door weight: 80 kg => max. 0.2 m/s; 60 kg => max. 0.23 m/s; 40 kg => max. 0.26 m/s
Hold-open time	adjustable between 5 and 30 seconds
Rated input voltage	90 to 264 V AC, 47 to 63 Hz
Motor rating	50 W
Safety	microprozessor controlled switch-off in case of obstacles
IP rating	IP 55
Operating temperature	-20° to +50 °C
Operational life	min. 400,000 cycles
Max. number of operations	up to 50 operations per hour



### Operation Possibilities

The control system of the DICTAMAT OpenDo is extremely small. It can be fitted in a customary flush-fitting or surface switch box which has to be provided on site. The delivery of the DICTAMAT OpenDo includes a cover frame.

Besides the two included switch-keys for operating the DICTAMAT OpenDo, you also can connect e.g. large surface switches. These are usually combined with the automatic closing, i.e. the door will automatically close after the adjusted hold-open time.

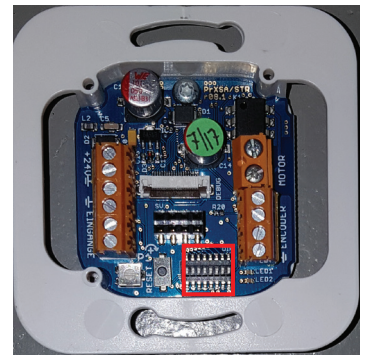
The door can also be operated by remote control. An appropriate receiver and transmitter are available as additional option.

### Functions, Operation Possibilities

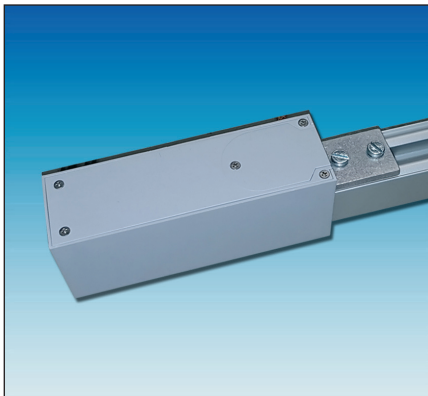
The DICTAMAT OpenDo offers many different functions. They are adjusted in the control system by means of DIP switches (see photo).

You have to take into consideration that the functions may be different in continuous pressure operation and in impulse operation (see following table).

Opening and closing the door via remote control or motion detector is only possible if the impulse operation is adjusted.



Basic operation mode	Continuous pressure (Door moves only when the corresponding key is pressed.)	Impulse operation (Door opens/closes after shortly having pressed the switch-key.)
<b>OPEN</b>	only per switch-key	<ul style="list-style-type: none"> <li>- per switch-key (standard)</li> <li>- push-and-go (pushing the door shortly by hand activates the door operator which will automatically open the door; adjustable in the standard version)</li> <li>- radar or remote control as options (require additional components)</li> </ul>
<b>CLOSE</b>	only per switch-key	<ul style="list-style-type: none"> <li>- per switch-key (standard)</li> <li>- push-and-go (pushing the door shortly by hand activates the door operator which will automatically close the door; adjustable in the standard version)</li> <li>- automatic closing (door closes automatically after an adjustable time)</li> <li>- radar or remote control as options (require additional components)</li> </ul>
<b>Safety (detection of obstacles) in opening and closing direction</b>	Stop	<ul style="list-style-type: none"> <li>- reversing (the door stops and then moves in the opposite direction)</li> <li>- Stop: only possible, when no automatic closing has been adjusted</li> </ul>
<b>Door permanently open</b>	Door remains open until the next CLOSE command.	possible by key combination also in case of an adjusted automatic closing
<b>Moving the door in case of a power cut</b>	Manual moving possible after the door has been uncoupled.	



## Components Included / Components

The delivery of the DICTAMAT OpenDo includes the rail and the accessories. The wheel hangers of the standard version are with slide bearings. However, when the operator is subject to heavy use, e.g. in restaurant kitchens, the version with AISI 316 hangers with ball bearings and rollers should be chosen.

On demand, a cover for the rail is available. In the order has to be specified how the rail is fixed (to the ceiling or to the wall).

## Components Included DICTAMAT OpenDo

### Standard version for single-leaf timber doors of up to 1100 mm width

Door operator with bracket and washers, power transformer 230 VAC/24 VDC for installation in flush-fitting or surface switch box (provided on site) (where required, together with the control system or the second switch-key), control system with key OPEN/CLOSE, switch-key OPEN/CLOSE, each for installation in flush-fitting or surface switch boxes (provided on site), idler pulley, door actuator, 4100 mm of toothed belt

Aluminium rail (2 m), 4 brackets in aluminium for fixing to the wall, 2 wheel hangers (hangers with slide bearings) with fixing brackets for screwing to the door, 1 floor guide, 2 final stopping devices for fitting into the rail

### Standard version for double-leaf timber doors of up to 1058 mm width

Door operator, control system, idler pulley see above, 2 door actuators, 8100 mm of toothed belt

Aluminium rail (2 x 2 m), 4 brackets in aluminium for fixing to the wall, 4 wheel hangers (hangers with slide bearings) with fixing brackets for screwing to the door, 2 floor guides, 3 final stopping devices for fitting into the rail

### Glass doors

On glass doors the door actuator(s) and the wheel hangers are fixed by gripping jaws instead of being screwed on. Also the floor guide is different. All other components are the same.

## Options / Accessories

### Version for heavy use

For heavy use we recommend the DICTAMAT OpenDo with wheel hangers in AISI 316 with ball bearings. They reduce friction considerably and the moving door produces much less noise.

**Remote control:** In case the DICTAMAT OpenDo shall be operated by remote control, you need a transmitter and a receiver. This can be installed, e.g. together with the second switch-key in a flush-fitting switch box.

**Motion detector:** Also a motion detector can trigger the OPEN command. This motion detector can be connected directly to the control system, without needing further components.

**Cover for the rail:** Depending on how the rail is fixed and on how thick is the door leaf different covers for the rail are available. They are simply clipped on the rail.

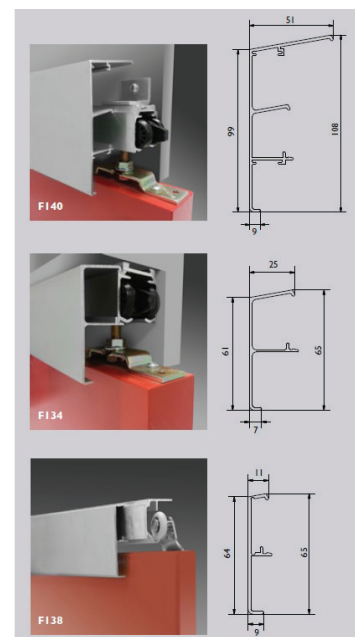
### Versions

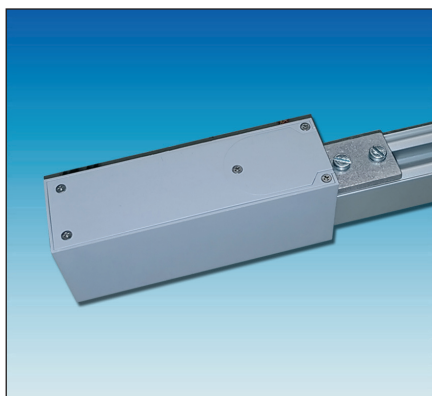
F140: when the rail is fixed to the wall (wall fitting)

F134: when fixed to the ceiling (soffit fix), max. thickness of the door leaf 50 mm

F138: when fixed to the ceiling (soffit fix), max. thickness of the door leaf 28 mm

The covers are supplied in 2000 mm pieces which have to be cut to length on site.





### Order Information

As the DICTAMAT OpenDo comes together with the rail, different kits are available, depending on the type of the door (timber/glass), the width of the door and whether it is a single or double-leaf door.

In case the following order information doesn't show the version you need for your door, please contact us. We will be happy to help you.

### Order Information

	<b>Part number</b>
DICTAMAT OpenDo for single-leaf timber doors up to 1100 mm, rail length 2000 mm, aluminium rail, wheel hangers with slide bearings	710650
DICTAMAT OpenDo for single-leaf timber doors up to 1100 mm, rail length 2000 mm, aluminium-rail, wheel hangers in AISI 316 with ball bearings	710651
DICTAMAT OpenDo for single-leaf glass doors (10 mm thick) up to 1100 mm, rail length 2000 mm, aluminium rail, wheel hangers with slide bearings	710652
DICTAMAT OpenDo for single-leaf timber doors up to 1600 mm, rail length 3000 mm, aluminium rail, wheel hangers with slide bearings	710653
DICTAMAT OpenDo for double-leaf timber doors up to 1100 mm total width, rail length 2 x 2000 mm, aluminium rail, wheel hangers with slide bearings	710654

### Accessories

Remote control kit, including a receiver and one remote control	710660
Remote control OPEN / CLOSE	710661
Motion detector Eagle One	700389
Large surface hand switch, flush installation, stainless steel look	700194
Contactless large surface hand switch, flush installation	700188
Rail cover FI40 for rail fixed to the wall, length 2000 mm	710665
Rail cover FI34 for rail fixed to the ceiling, length 2000 mm	710666
Rail cover FI38 for rail fixed to the ceiling, length 2000 mm	710667