



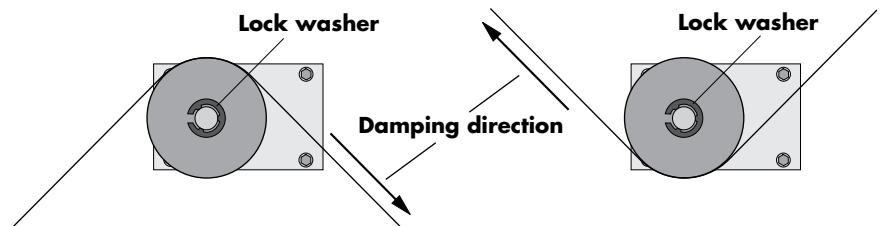
Radial Damper RD 240/241 with Gear Wheel

For continuous damping with a revolving chain

DICTATOR radial dampers provide continuous damping over unlimited distances. Although designed for sliding doors, they are also used on a variety of other applications e.g. roller conveyors, chain hoists etc.

RD 240000 and RD 240017 radial dampers damp by means of a revolving chain which runs around the chain wheel (at least one quarter of the wheel should be in constant contact with the chain).

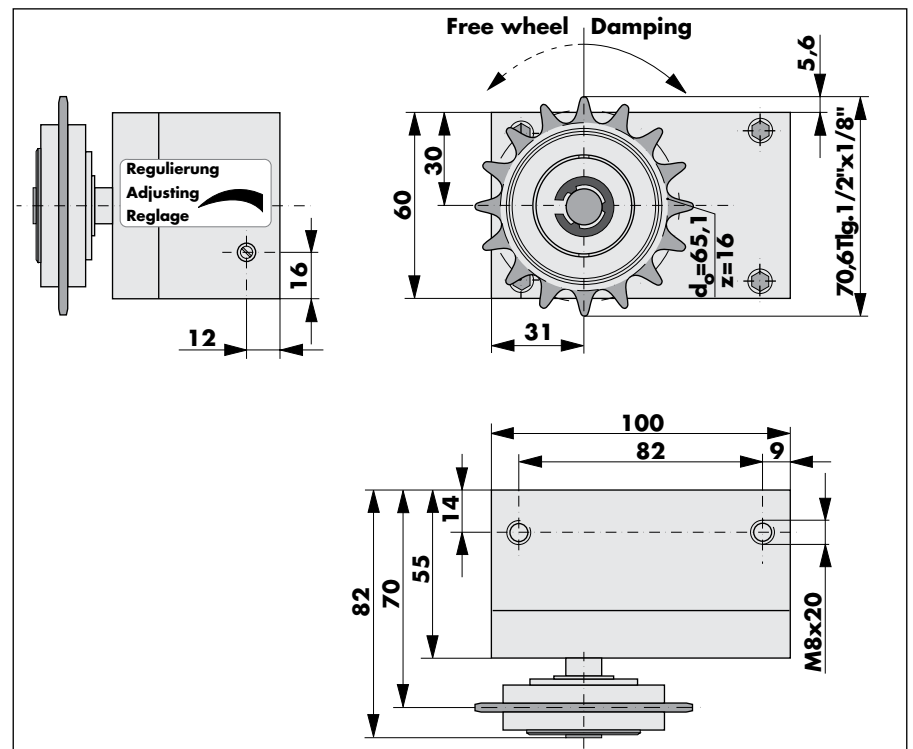
Installation and Operating Instructions



The diagram below shows the direction in which the chain wheel usually rotates. The direction of damping depends on the direction the chain is run around the wheel (see diagram above). If necessary, you can change the damping direction by removing the lock washer, taking off the wheel and replacing it on the axle the other way round. Make sure you replace the lock washer again.

The closing speed can continuously be varied by the adjustment screw.

Dimensions



Order Information

RD 240000 radial damper, normal damping	part no. 240000
RD 240017 radial damper, slight damping	part no. 240017
Idler pulley for chain	part no. 785972
Chain tensioner	part no. 710497
Chain per running meter	part no. 220006
Chain joint	part no. 220007



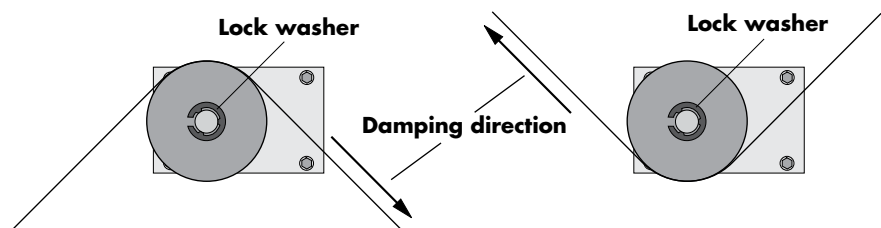
Radial Damper RD 240/241 with Rope Pulley

For continuous damping with rope

DICTATOR radial dampers provide continuous damping over unlimited distances. They are used on sliding doors, fire protection doors, roller conveyors, rope or chain hoists etc.

RD 240011 and RD 240013 radial dampers damp by means of a revolving steel rope (\varnothing 3 mm) which runs around the pulley. Make sure that the rope runs in true alignment on the wheel and that it is properly tensioned (e.g. with a DICTATOR rope tensioner, fixing bracket included).

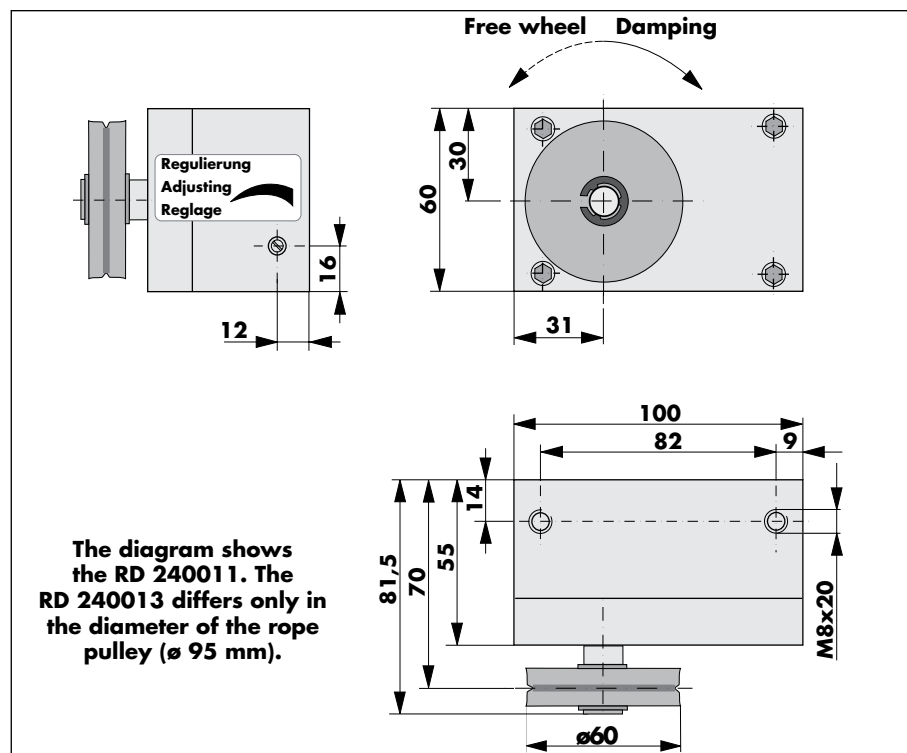
Installation and Operating Instructions



The diagram below shows the direction in which the pulley usually rotates. The direction of damping depends on the direction the rope is run around the pulley. If necessary, you can change the damping direction by removing the lock washer, taking off the pulley and replacing it on the axle the other way round. Make sure you put the lock washer on again.

The closing speed can continuously be varied by the adjustment screw.

Dimensions



Order Information

Radial damper with rope pulley \varnothing 60	part no. 240011
Radial damper with rope pulley \varnothing 95	part no. 240013
Idler pulley for rope	part no. 700530
25 m steel rope (\varnothing 3 mm)	part no. 700155
Rope tensioner with fixing bracket	part no. 700478



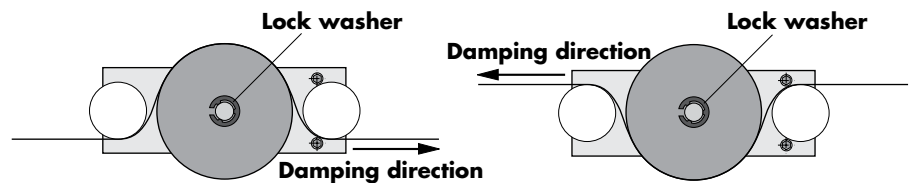
RD 240003 and RD 240012 Radial Dampers

For continuous damping with tensioned rope

DICTATOR radial dampers provide continuous damping over unlimited distances. They are used on sliding doors, fire protection doors, roller conveyors, rope or chain hoists etc.

RD 240003 and RD 240012 radial dampers damp by means of a tensioned rope running around three pulleys.

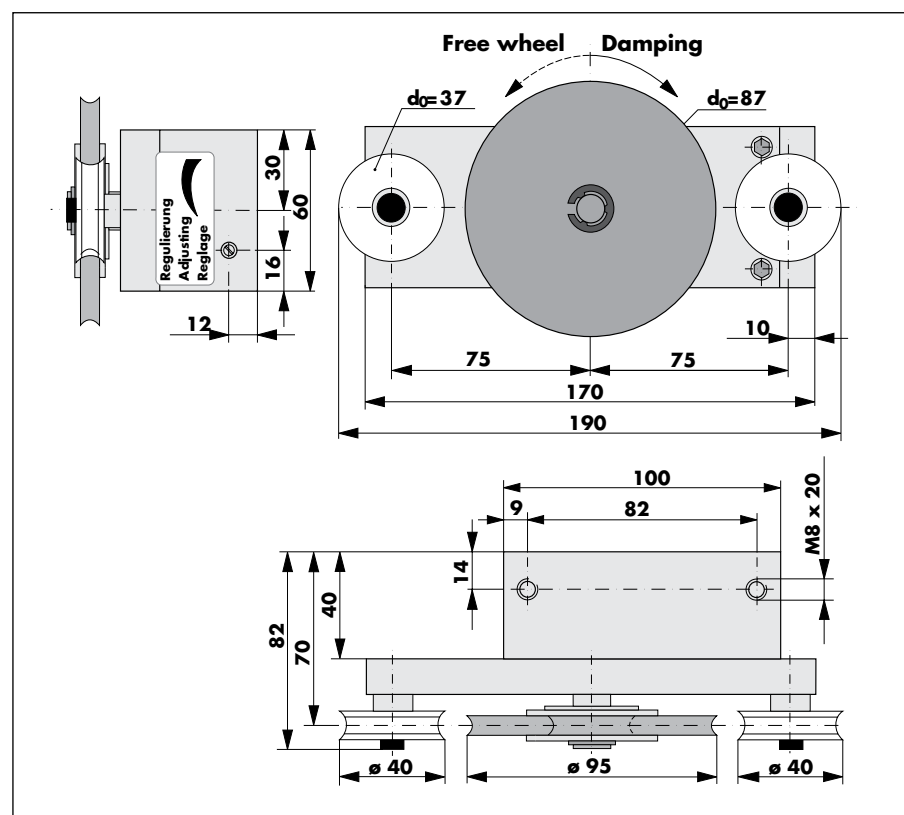
Installation and Operating Instructions



The diagram below shows the direction in which the damping pulley usually rotates. The direction of damping depends on the direction the rope is run around the wheel (see diagram above). If necessary, you can change the damping direction by removing the lock washer, taking off the centre pulley and then placing it back on the axle the other way round. Make sure you put the lock washer on again.

The closing speed can continuously be varied by the adjustment screw.

Dimensions



Order Information

Radial damper for tensioned rope, normal damping	part no. 240003
Radial damper for tensioned rope, slight damping	part no. 240012
Steel rope (length 25 m)	part no. 700155
Rope tensioner (complete set)	part no. 220005



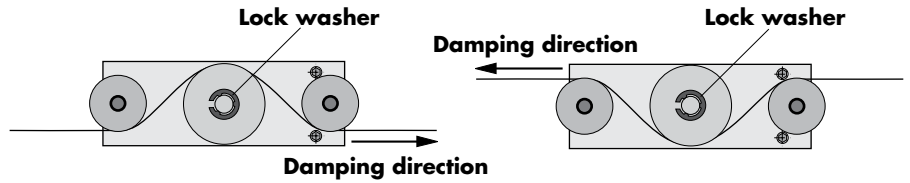
Installation and Operating Instructions

RD 240004 Radial Damper

For continuous damping with tensioned rope

DICTATOR radial dampers provide continuous damping over unlimited distances. They are used on sliding doors, fire protection doors, roller conveyors, rope or chain hoists etc.

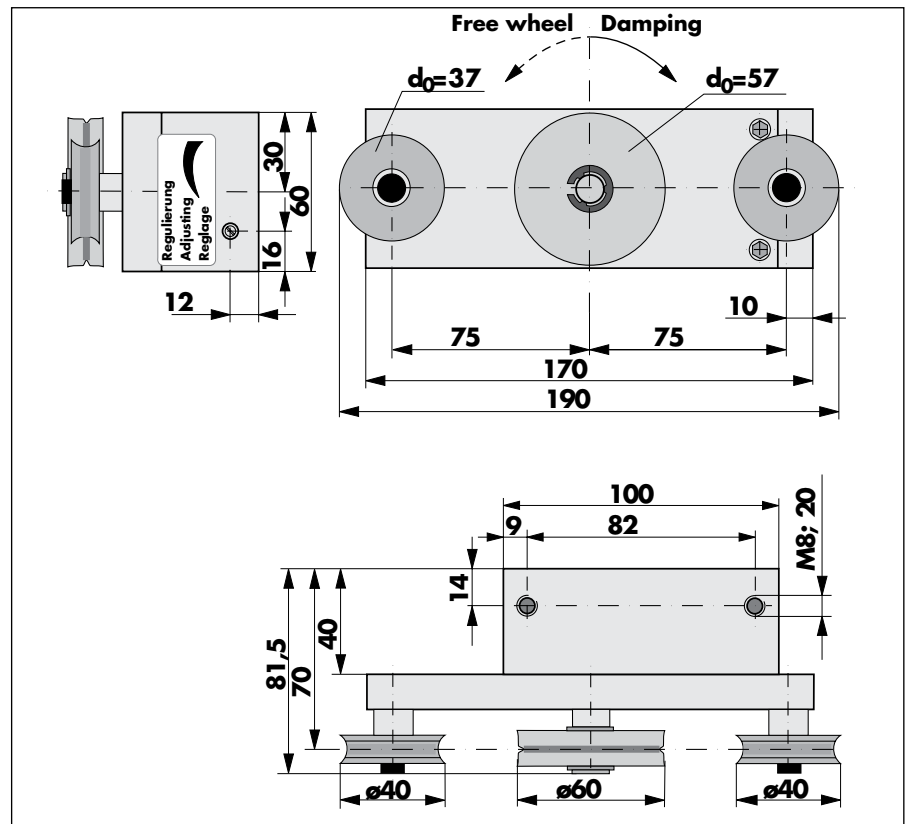
The radial damper RD 240004 damps by means of a tensioned rope running around three pulleys.



The diagram below shows the direction in which the pulley usually rotates. The direction of damping depends on the direction the rope is run around the wheel (see diagram above). If necessary, you can change the damping direction by removing the lock washer, taking off the centre pulley and then placing it back on the axle the other way round. Make sure you put the lock washer on again.

The closing speed can continuously be varied by the adjustment screw.

Dimensions



Order Information

Radial damper for tensioned rope (pulley \varnothing 60 mm)	part no. 240004
Steel rope (length 25 m)	part no. 700155
Rope tensioner (complete set)	part no. 220005



RD 240022 Radial Damper

For continuous damping with a rubber wheel

DICTATOR radial dampers provide continuous damping over unlimited distances. They are used on sliding doors, fire protection doors, roller conveyors, rope or chain hoists etc.

The RD 240022 radial damper stays in damping contact with the moving object by a rubber wheel.

Installation and Operating Instructions

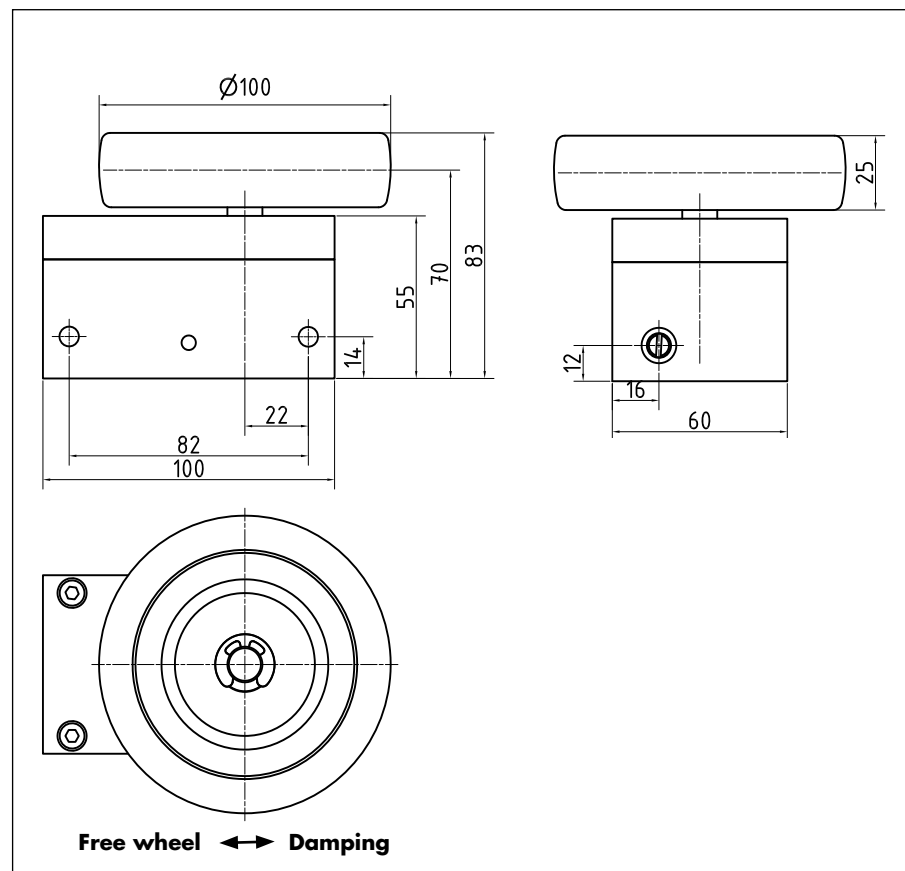
Fix the RD 240022 radial damper in a position where the rubber wheel presses against a straight and even area of the object it has to slow down.

The diagram below shows the radial damper damping to the right as delivered.

You can change the damping direction by removing the lock washer from the axle and taking off the rubber wheel. Now it is put back on the axle the other way round and secured again. Take care not to damage the inner shaft seals which protect the free wheel.

The closing speed can continuously be varied by the adjustment screw.

Dimensions



Order Information

Radial damper with rubber wheel

part no. 240022



RD 241013 and RD 241029 Radial Dampers

For continuous damping of inclined gates with running rack

The DICTATOR radial dampers with gearwheel, model 4 (16 teeth) and model 6 (12 teeth) have especially been designed for sliding gates being usually opened and closed by a door drive unit with the help of a rack. For safety reasons a RD 241013 or 241029 radial damper should be fitted on all ascending gates to control the closing speed over the complete distance in the event of power failure.

As these radial dampers are mainly used at the outside they are rust resistant.

Installation and Operating Instructions

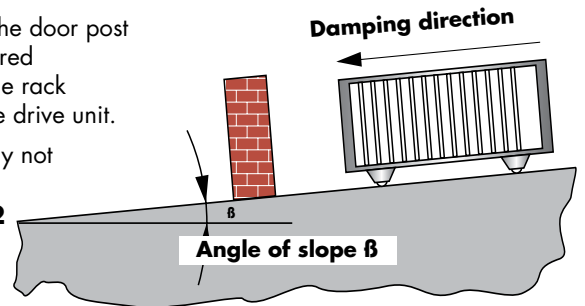
The radial damper is fixed to the door post or near the drive unit. The geared wheel must be in mesh with the rack transmitting the power from the drive unit.

The load on the damper M may not exceed 7 Nm:

$$M \text{ [Nm]} = G \times \sin\beta \times 0.032$$

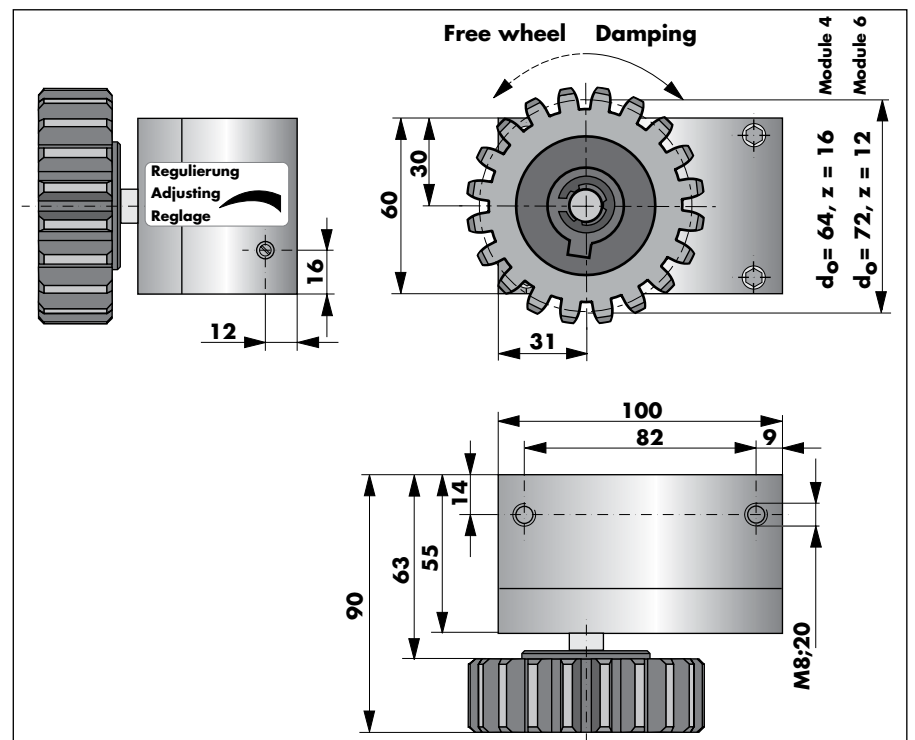
{ G = weight of the gate in N
 β = ascent in degrees }

The diagram below shows the direction in which the toothed wheel usually rotates. You can change the damping direction by removing the lock washer from the axle and taking off the toothed wheel. Now it is put back on the axle the other way round and secured again. Take care not to damage the inner shaft seals which protect the free wheel.



The closing speed can continuously be varied by the adjustment screw.

Dimensions



Order Information

Radial damper with toothed wheel module 4 (Ø 64, 16 teeth)	part no. 241013
Radial damper with toothed wheel module 6 (Ø 72, 12 teeth)	part no. 241029



Double Radial Dampers RD 241024 and RD 241030 To slow down high forces

The DICTATOR double radial dampers offer higher damping forces than the normal radial dampers (the damping moment is 12.2 Nm). The total dimensions change but slightly: only the height increases by 19 mm.

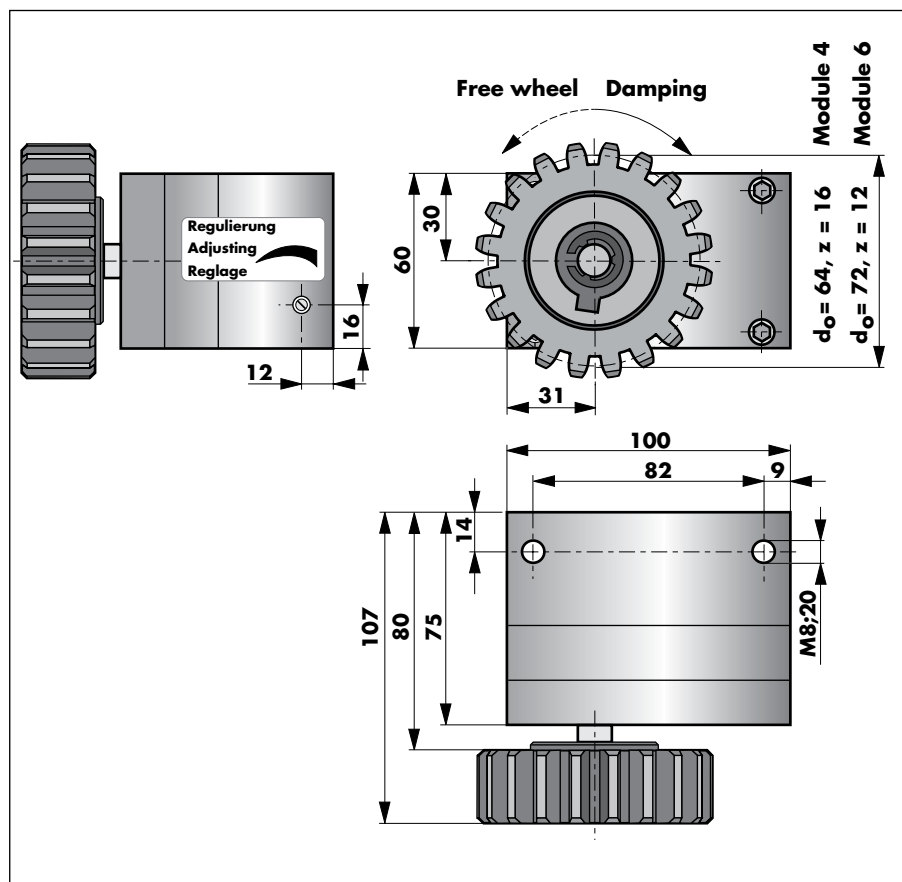
On demand the double radial damper is also available with a pulley for steel rope or with a normal toothed wheel.

Installation and Operating Instructions

The diagram below shows the direction in which the gearwheel usually rotates. You can change the damping direction by removing the lock washer, taking off the wheel and then placing it back on the axle the other way round. Make sure you put the lock washer back on again.

The closing speed can continuously be varied by the adjustment screw.

Dimensions



Order Information

Double radial damper with gearwheel module 4 (\varnothing 64, 16 teeth) part no. 241024

Double radial damper with gearwheel module 6 (\varnothing 72, 12 teeth) part no. 241030