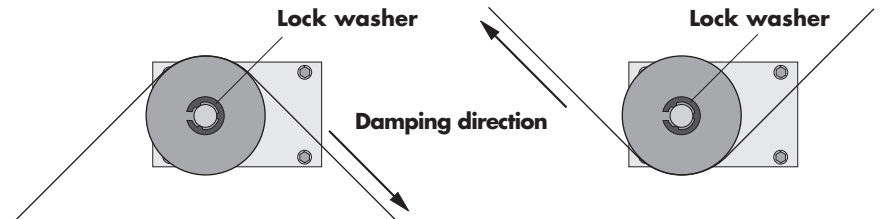




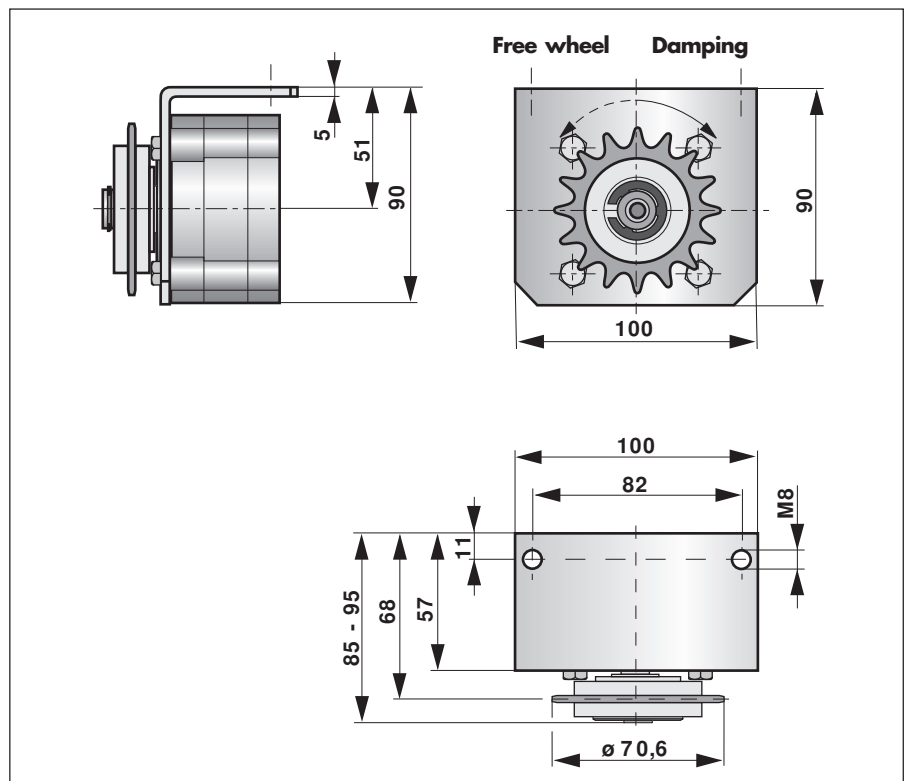
Radial Damper RD 80

Basic type with toothed wheel 1/2" x 1/8", Z16

The basic type of the RD 80 radial damper with toothed wheel Z16 for chain 1/2" x 1/8" is designed for damping with a revolving chain. When using it on sliding doors it can be used e.g. as an idler pulley.



Dimensions



Installation and Operating Instructions

To allow for an easy and fast installation the RD 80 radial damper is furnished with a mounting bracket. Customised brackets can be provided on demand.

The sense of damping can be changed simply by turning the toothed wheel. Just remove the lock washer, turn the toothed wheel, place it back on the axle and secure it again by the washer.

The damping force of the RD 80 radial damper can continuously be adjusted from the front. By turning the hexagon socketed screw clockwise the damping force is increased, reducing further the closing speed. By turning anti-clockwise the damping force is reduced allowing for a faster closing speed.

Order Information

RD 80 radial damper with toothed wheel Z16, 1/2" x 1/8" Part no. 244017

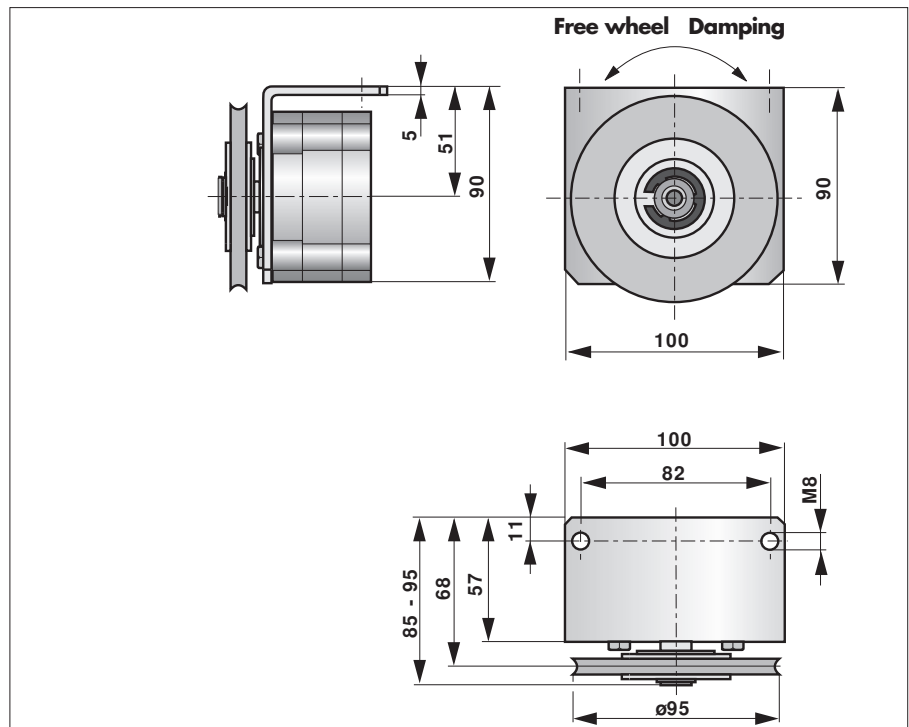


RD 80 Radial Damper

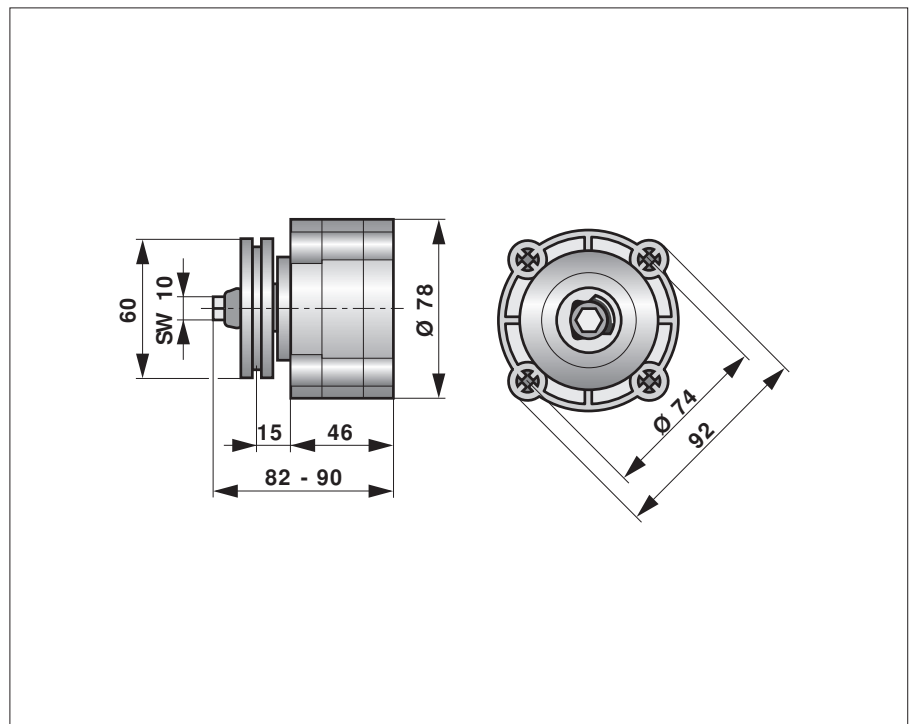
Basic type with rope pulley

The basic type of the radial damper RD 80 with pulley is designed for damping with a revolving steel rope $\varnothing 3$ mm. When using it on sliding doors it can be used e.g. as an idler pulley. For mounting and adjusting instructions please see the previous page.

Dimensions RD 80 with Rope Pulley $\varnothing 90$ mm



Dimensions RD 80 with Rope Pulley $\varnothing 60$ mm



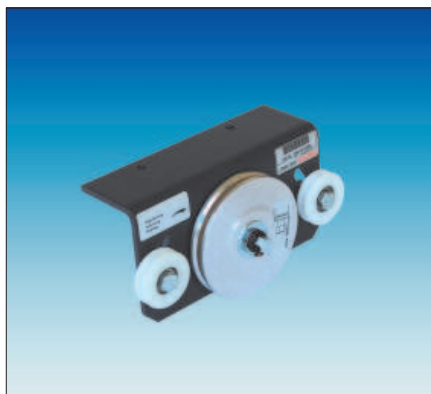
Order Information

Radial damper RD 80 with rope pulley $\varnothing 90$

Part no. 244015

Radial damper RD 80 with rope pulley $\varnothing 60$

Part no. 244016



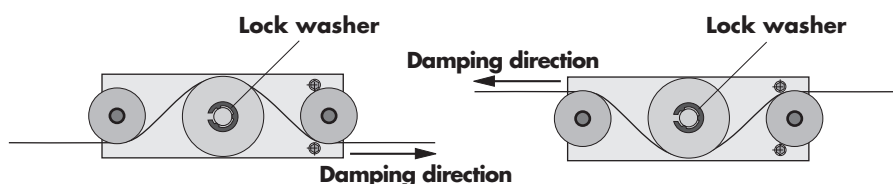
RD 80 Radial Damper

With 2 guiding pulleys for continuous damping with tensioned rope

The RD 80 radial damper is also available with two additional guiding pulleys for tensioned steel rope $\varnothing 3$ mm.

We recommend to generally use the type with the $\varnothing 90$ pulley in the middle as this provides a better and safer control and guiding of the rope. However the damping force of this type is due to the larger diameter of the pulley slightly inferior to that of the type with the $\varnothing 60$ pulley.

Installation and Operating Instructions

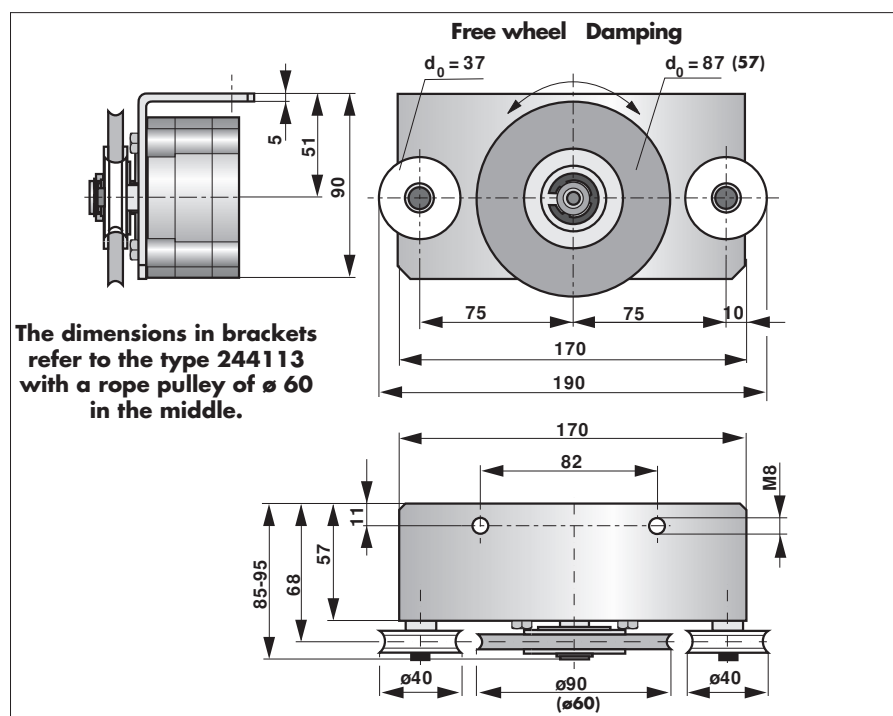


To allow for an easy and fast installation the RD 80 radial damper is furnished with a mounting bracket. Customised brackets can be provided on demand.

The sense of damping can be changed simply by turning the pulley. Just remove the lock washer, turn the pulley, place it back on the axle and secure it again by the washer.

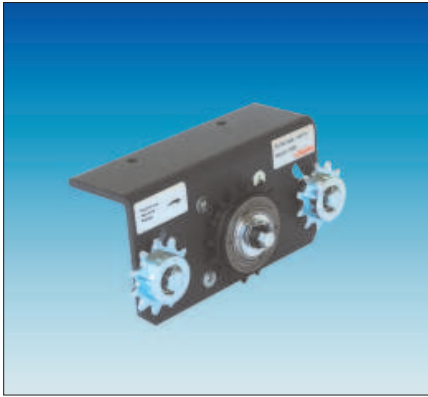
The damping force of the RD 80 radial damper can continuously be adjusted from the front. By turning the hexagon socketed screw clockwise the damping force is increased, reducing further the closing speed. By turning anti-clockwise the damping force is reduced allowing for a faster closing speed.

Dimensions



Order Information

Radial damper RD 80 rope pulley $\varnothing 90$ and 2 guiding pulleys	Part no. 244112
Radial damper RD 80 rope pulley $\varnothing 60$ and 2 guiding pulleys	Part no. 244113

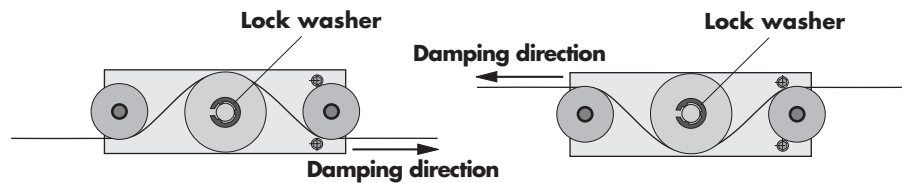


RD 80 Radial Damper

With 2 guiding pulleys for continuous damping with tensioned chain

The RD 80 radial damper is also available with two additional guiding wheels for tensioned chain 1/2" x 1/8".

Installation and Operating Instructions

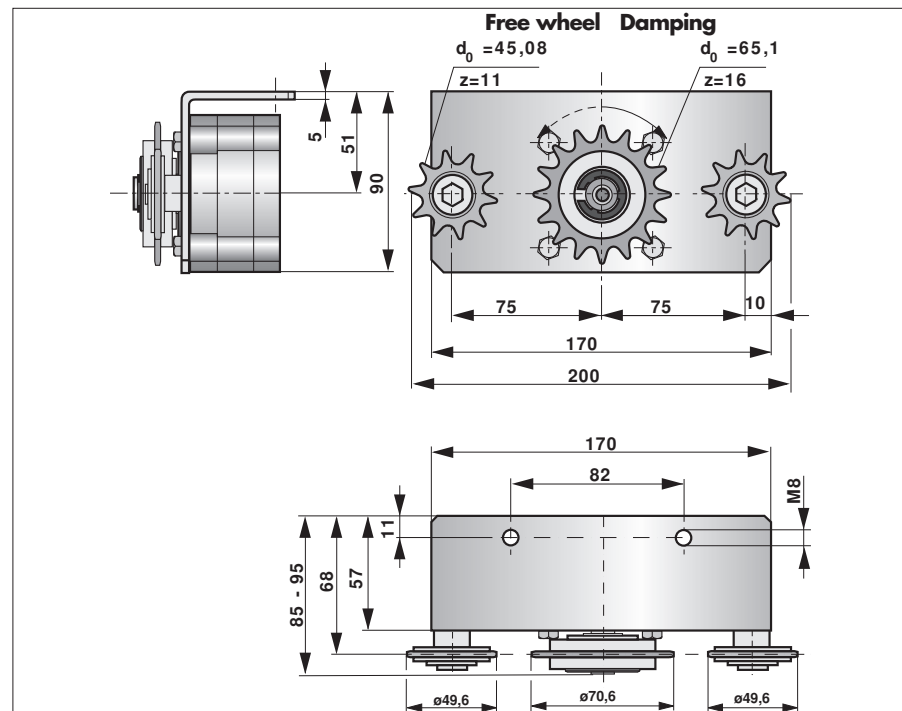


To allow for an easy and fast installation the RD 80 radial damper is furnished with a mounting bracket. Customised brackets can be provided on demand.

The sense of damping can be changed simply by turning the chain wheel. Just remove the lock washer, turn the chain wheel, place it back on the axle and secure it again by the washer.

The damping force of the RD 80 radial damper can continuously be adjusted from the front. By turning the hexagon socketed screw clockwise the damping force is increased, reducing further the closing speed. By turning anti-clockwise the damping force is reduced allowing for a faster closing speed.

Dimensions



Order Information

Radial damper RD 80 with chain wheel and 2 guiding wheels Part no. 244114