

## DICTAMAT 500

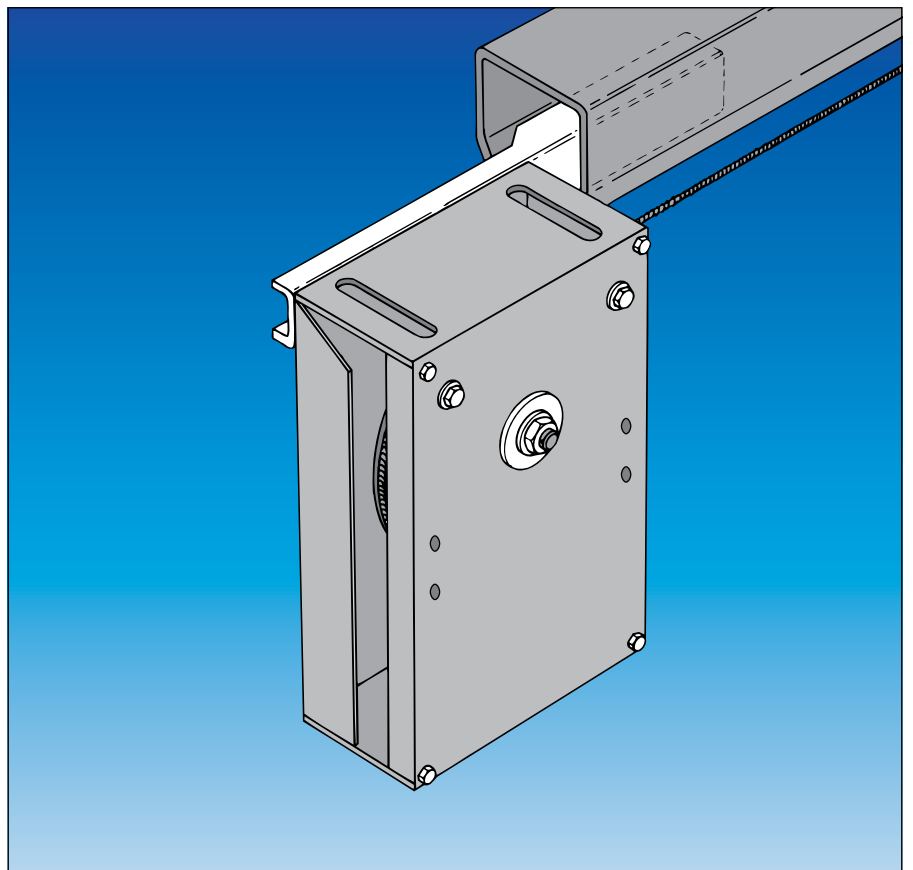
### Closing System for Fire Protection Sliding Doors in Hazardous Areas with Closing Speed Control

The **DICTAMAT 500** door operator closes fire protection sliding doors up to 6.5 m door width with the integrated spring. It can also be used in hazardous areas (max. closing force in this case 160 N), as the door is held in the opened position by a separate magnet.

The DICTAMAT 500 is a **compact unit** of both closing spring and radial damper. This facilitates the installation.

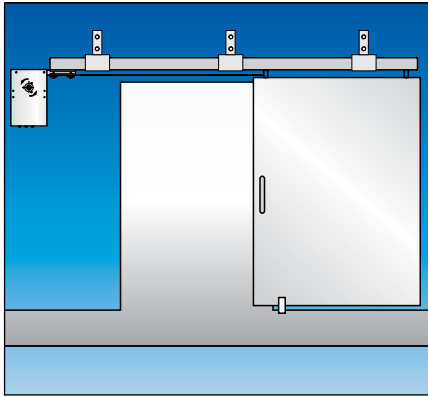
The steel rope of the DICTAMAT 500 is fixed directly to the closing edge of the door. When opening the door the spring is tensioned. As soon as the door is released or the magnet in the opened position is switched off (e.g. by a smoke detector) the **spring closes the door**. The **adjustable closing speed** is controlled by the integrated radial damper.

The components of the DICTAMAT 500 have been tested. Their **quality** is **continuously controlled** by the National Material Testing Office in Dortmund, Germany (MPA-NRW) (contract no. Do.15.1/Do.15.4).



### Selection Criteria

- Suitable for sliding doors of max. 6.5 m door width
- Closing force                      160 N  
                                                 320 N (not for hazardous areas)
- For doors of max.                      400 kg: 160 N / 800 kg: 320 N (not hazard. areas)
- Closing by integrated spring, manual opening
- Adjustable closing speed            between 0.08 - 0.2 m/s
- Weight                                      with 160 N spring: 16 kg  
                                                         with 320 N spring: 22 kg

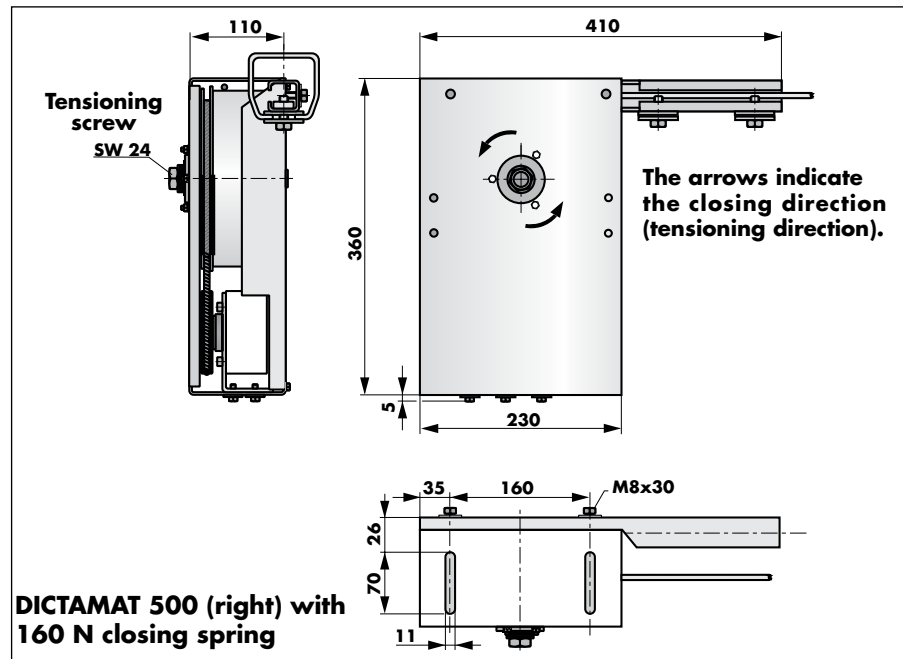
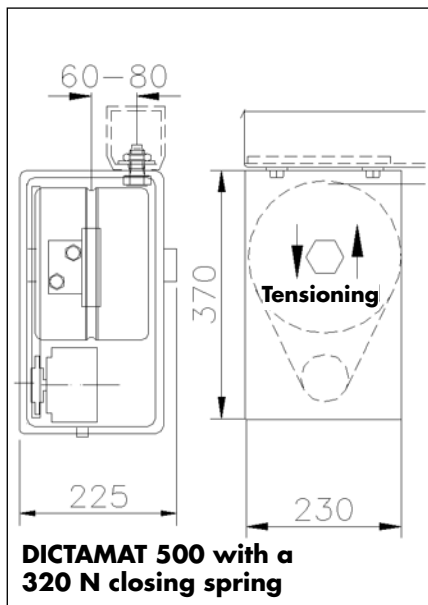


## Dimensions, Order Information

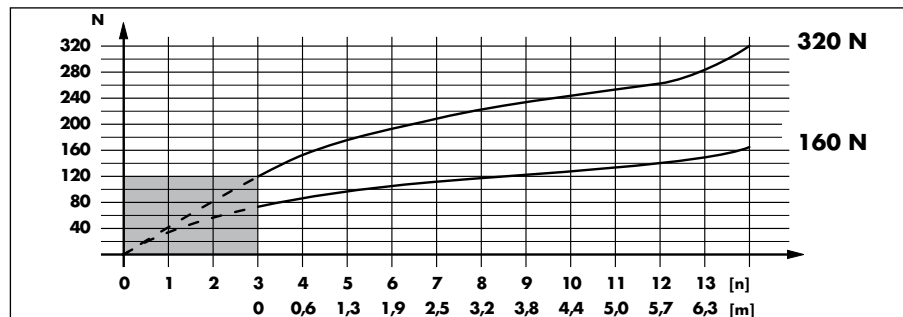
The DICTAMAT 500 is always mounted at that end of the rail where the door is in the closed position. The 160 N type is normally fixed with its bracket for plug-in mounting laterally at the end of the rail. Please make sure sufficient space is available (min. 430 mm). If this space is not available, the DICTAMAT 500 with 160 N is mounted as the 320 N type directly below the rail, using a counter plate. The following drawing shows the drive unit mounted on the left end of the rail.

The closing speed is adjusted directly at the radial damper integrated in the DICTAMAT 500. **Important:** The force acting on an obstacle may **not exceed 150 N**.

## Dimensions



## Force of the Closing Spring



## Components Included

Operator (with integrated closing spring and radial damper), rope  $\varnothing$  3 mm (10 or 25 m)  
Bracket for plug-in mounting in rail and threaded counter plate

## Order Information

DICTAMAT 500, 160 N, 10 m rope, left	part no. 700040
DICTAMAT 500, 160 N, 10 m rope, right	part no. 700041
DICTAMAT 500, 320 N, 10 m rope, left	part no. 700042
DICTAMAT 500, 320 N, 10 m rope, right	part no. 700043
DICTAMAT 500, 160 N, 25 m rope, left	part no. 700044
DICTAMAT 500, 160 N, 25 m rope, right	part no. 700045
DICTAMAT 500, 320 N, 25 m rope, left	part no. 700046
DICTAMAT 500, 320 N, 25 m rope, right	part no. 700047