

## Mounting Brackets for Gas Springs

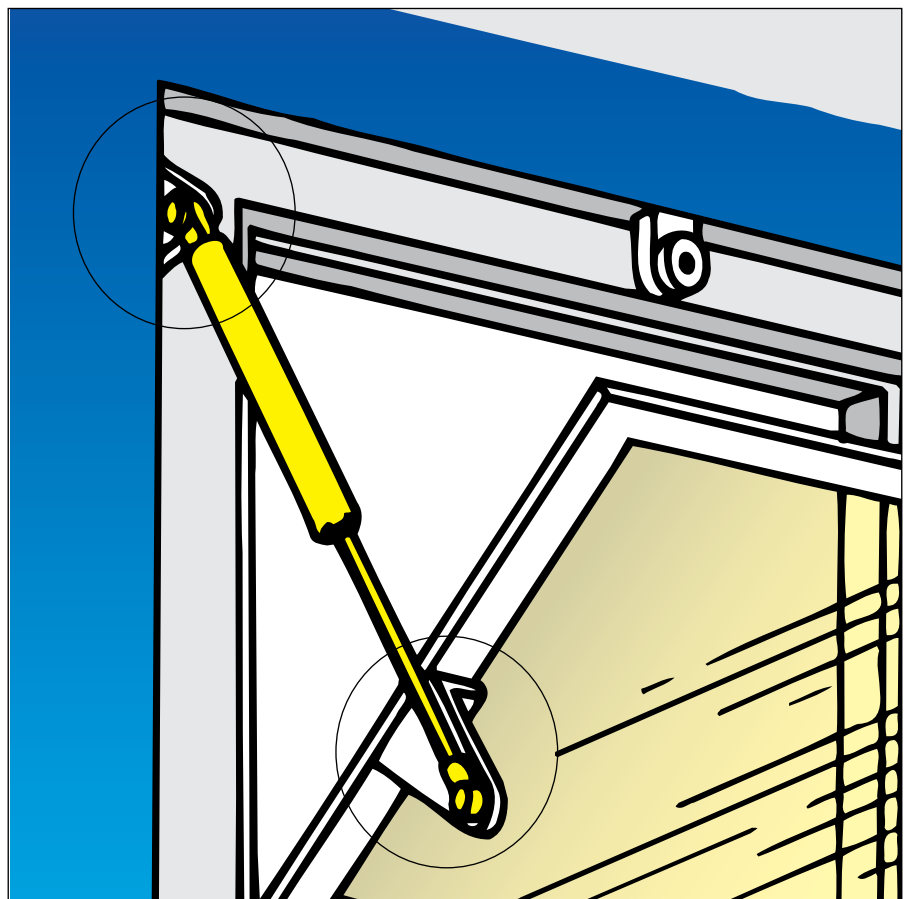
Gas springs must be **securely fitted**. Different mounting brackets are required depending on where and the position in which the gas spring is fitted and the type of end fittings used.

DICTATOR offers mounting brackets for push type gas springs in the 8-19, 10-23 and 14-28 ranges, as well as a limited selection in the 6-15 range. When choosing the mounting bracket, please pay attention to the maximum force allowed for the selected mounting bracket.

When selecting a suitable bracket, the following important points must be taken into consideration:

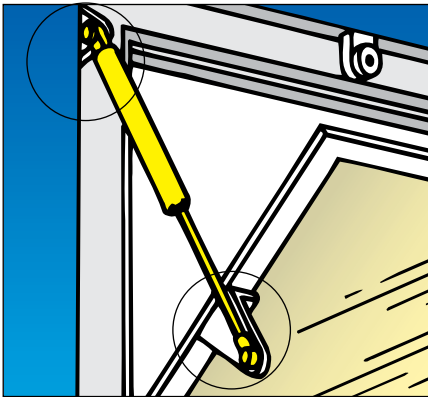
- Position of gas spring,
- End fittings on gas spring,
- Maximum force allowed.

We will be happy to advise you!



### Technical Data

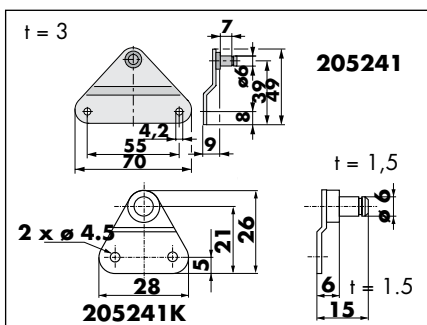
Material	zinc.plated steel, AISI 304, AISI 316
Gas spring force allowed	up to max. 2500 N



## Mounting Brackets for Gas Springs in the 6-15, 8-19, 10-23 Ranges

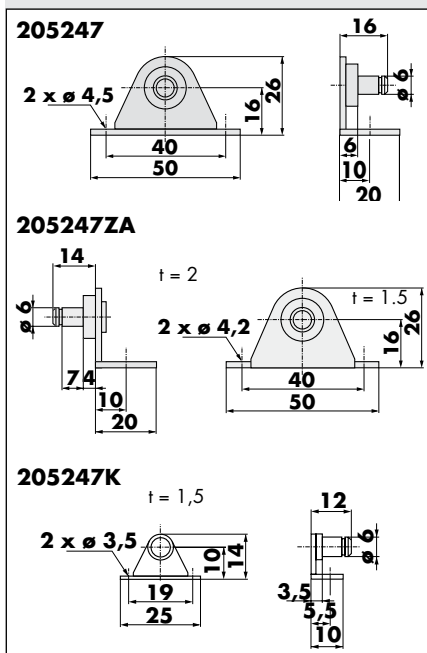
First you will find the brackets for the smaller gas spring ranges. There are also indicated possible counterparts.

Which brackets to choose depends mainly on the mounting position.



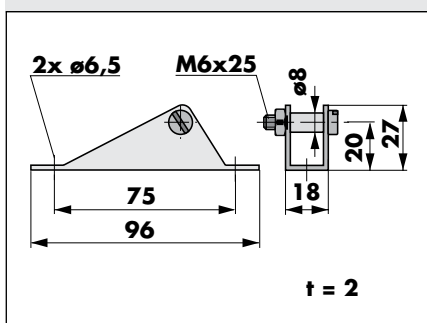
### Mounting bracket part nos. 205241, 205241K

Type of mounting	lateral
Gas spring range	6-15
Gas spring end fittings	6-15 eyelet
Max. gas spring force	205241: 350 N, 205241K: 130 N
Max. force on bracket	205241: 500 N, 205241K: 180 N
Possible counterparts	part nos. 205244, 205247, 205247ZA, 205247K



### Mounting bracket part nos. 205247, 205247K, 205247ZA

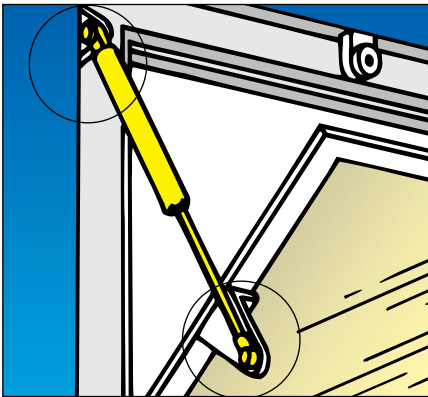
Type of mounting	frontal
Gas spring ranges	6-15
Gas spring end fittings	6-15 eyelet
Max. gas spring force	205247: 370 N 205247K: 130 N 205247ZA: 300 N
Max. force on bracket	205247: 500 N 205247K: 180 N 205247ZA: 400 N
Possible counterparts	part nos. 205241, 205241K



### Mounting bracket part no. 205244

Type of mounting	frontal
Gas spring range	6-15 (conditional - see warning*), 8-19, 10-23
Gas spring end fittings	6-15, 8-19/10-23 eyelets, rose bearing no. 205801
Max. gas spring force	1200 N, max. force on mounting: 1800 N
Possible counterparts	part no. 205241, 205242, 205243

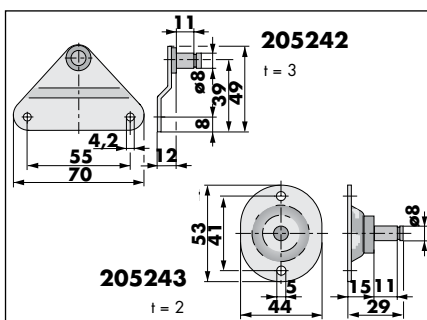
**\*Attention:** when used for type 6-15 eyelets the tube ø 8 mm of the M6x25 screw must be removed.



### Mounting Brackets for Gas Springs in the 8-19, 10-23, 14-28 Ranges

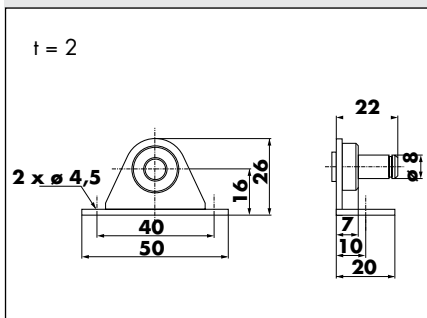
The brackets indicated below are intended mostly for the 8-19 and 10-23 gas spring ranges.

Brackets for gas springs with a pressure of up to 2500 N can be found on the next page.



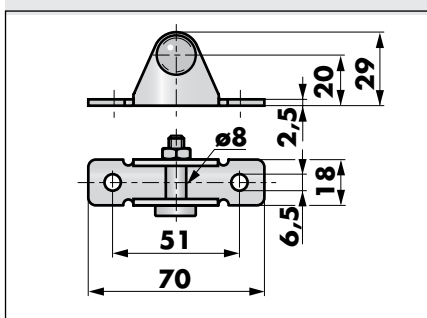
#### Mounting bracket part nos. 205242, 205243

Type of mounting	lateral
Gas spring ranges	8-19, 10-23
Gas spring end fittings	8-19/10-23 eyelets and rose bearing no. 205801
Max. gas spring force	850 N
Max. force on bracket	1200 N
Possible counterparts	part nos. 205244, 205246, 205197, 205276, 205276K



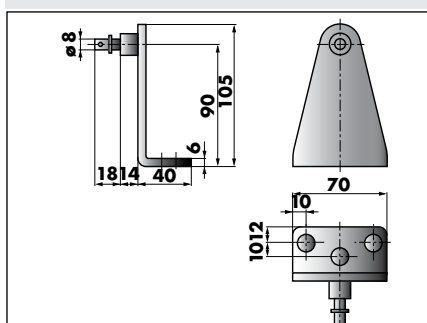
#### Mounting bracket part no. 205276K

Type of mounting	frontal
Gas spring ranges	8-19, 10-23
Gas spring end fittings	8-19/10-23 eyelets and rose bearing no. 205801
Max. gas spring force	850 N
Max. force on bracket	1200 N
Possible counterparts	part nos. 205244, 205246, 205197, 205276, 205276K



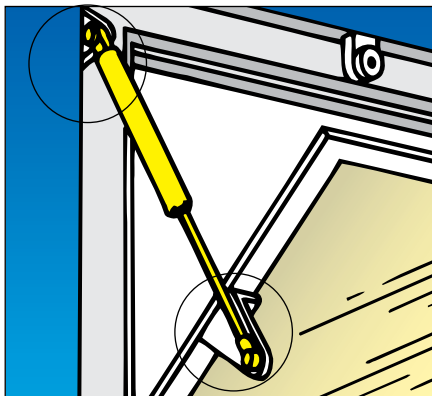
#### Mounting bracket part no. 205246

Type of mounting	frontal
Gas spring range	8-19, 10-23
Gas spring end fittings	8-19/10-23 eyelets, rose bearing no. 205801
Max. gas spring force	1200 N
Max. force on bracket	1800 N
Possible counterparts	part nos. 205242, 205243



#### Mounting bracket part no. 205196

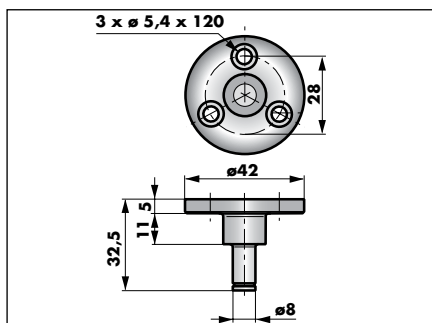
Type of mounting	frontal
Gas spring range	8-19, 10-23, 14-28
Gas spring end fittings	8-19/10-23/14-28 eyelets
Max. gas spring force	1000 N
Possible counterparts	part nos. 205246, 205197, 205244



### Mounting Brackets for Gas Springs in the 8-19,10-23,14-28 Ranges, cont.

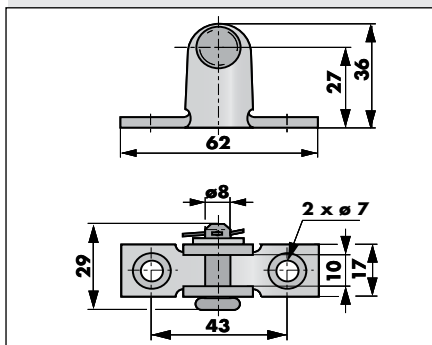
For **gas springs up to a force of 2500 N** are intended the brackets shown below which are made of zinc-plated steel.

The brackets made of AISI 304 and AISI 316 can only be used for gas springs with a maximum pressure of 1000 N.



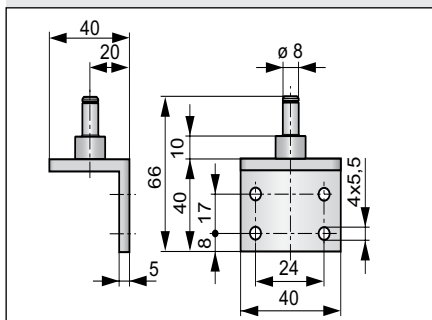
#### Mounting bracket part no. 205261 of AISI 304: 205281

Type of mounting	lateral
Gas spring ranges	8-19, 10-23, 14-28
Gas spring end fittings	8-19/10-23/14-28 eyelets, rose bearing no. 205801
Max. gas spring force	2500 N; 1000 N with AISI 304
Possible counterpart	part nos. 205197, 205246



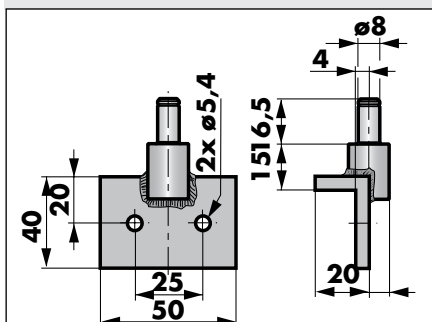
#### Mounting bracket part no. 205197, of AISI 304: 205249, of AISI 316: 205455

Type of mounting	frontal
Gas spring range	8-19, 10-23, 14-28 (8-19, 10-23)
Gas spring end fittings	8-19/10-23/14-28 eyelets, rose bearing no. 205801 (8-19/10-23)
Max. gas spring force	2500 N; 1000 N with AISI 304 and AISI 316
Possible counterparts	nos. 205242 - 243, 205261 - 263, 205282, 205456



#### Mounting bracket part no. 205262, of AISI 304: 205282, of AISI 316: 205456

Type of mounting	frontal
Gas spring ranges	8-19, 10-23, 14-28
Gas spring end fittings	8-19/10-23/14-28 eyelets, rose bearing no. 205801
Max. gas spring force	2500 N; 1000 N with AISI 304 and AISI 316
Possible counterpart	part nos. 205197, 205249, 205455, 205246



#### Mounting bracket part no. 205263

Type of mounting	frontal
Gas spring ranges	8-19, 10-23, 14-28
Gas spring end fittings	8-19/10-23/14-28 eyelets, rose bearing no. 205801
Max. gas spring force	2500 N
Possible counterpart	part nos. 205197, 205246