

## Smoke Detector RM 2000

RM 2000 smoke detectors are used in hold-open systems for fire protection doors. They have been tested according to the strict regulations of the European standard EN 54 (part 7).

The smoke detector is operated by a potential free relay contact when the smoke density in a room exceeds a certain level, or when the integrated temperature sensor records a rise in temperature of more than 65 °C. The relay contact can be used to control electromagnets, door closers and door drive units, thus enabling fire doors to be closed automatically. The additionally included temperature sensor in the smoke detector reacts to a temperature higher than 65 °C.

The alarm signal can be passed on through two separate potential free relay contacts. Additionally, a clearly visible red diode on the smoke detector indicates the alarm system's operational situation.

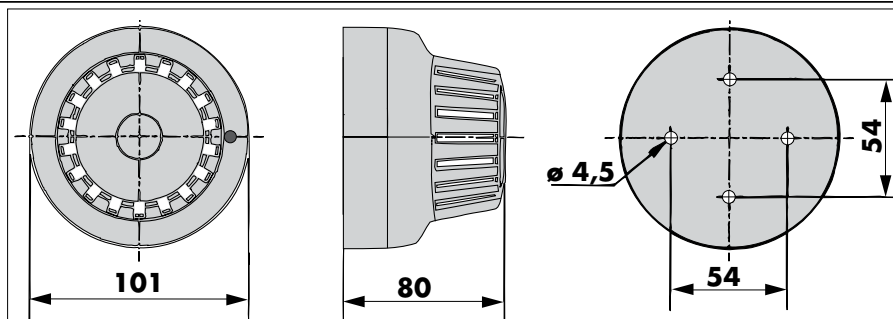
The RM 2000 smoke detector has been approved for the use on hold-open systems by the Institute for Building Engineering in Berlin/Germany.  
(Approval No. Z-6.5-1903)



### Technical Data

Supply voltage	24 VDC (+15 %, -10 %)
Power consumption	35 mA
Alarm signal level smoke unit	0.2 dB/m
Alarm signal level temperature sensor	65 °C
Current-carrying capacity relay contact	24 V/1.0 A
IP rating	IP 42

## Dimensions



## Installation

When using the smoke detector on fire protection doors please follow the guidelines for hold-open systems set by the Institute of Building Engineering in Berlin.

The smoke detector is **not** equipped with a mains transformer so a direct voltage of 24 V is required at terminals 1 and 6 (see wiring diagram below).

A potential-free relay contact (contact "a") is available at terminals 2 and 3 which opens in event of alarm or power failure. An additional relay contact (contact "b") is provided at terminals 4 and 5.

Contact "a" always opens, but contact "b" can either open or close, depending on the smoke detector model.

• Model 040500: "b" opens upon alarm

• Model 040502: "b" closes upon alarm

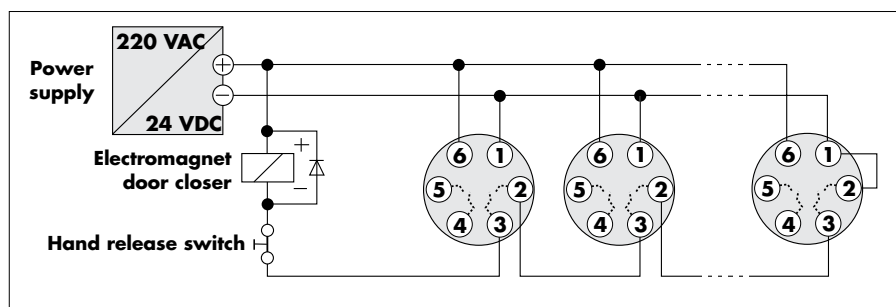
If you require several smoke detectors to be wired in series, you need to place bridges at terminals 1 and 2 of the last smoke detector (see wiring diagram below).

Insert the smoke detector into the socket so that the light diode coincides with the mark in the socket. Then turn it to the right for about 15 mm until it snaps in. It is now ready for operation.

The hand switch can be mounted anywhere on the feed line which is connected to the electromagnet or the doorcloser.

**Advice:** Protect the smoke detector from dust, colour mist and moisture to prevent malfunction.

## Connection Example



## Order Information

RM 2000 smoke detector with integrated thermo sensor	part no. 040500
as no. 040500, but relay contact "b" closes upon alarm	part no. 040502
Socket for RM 2000 smoke detector	part no. 040540
Bracket for wall mounting	part no. 040570
24 VDC/450 mA power pack	part no. 040545
24 VDC/800 mA power pack	part no. 040552
Hand release switch	part no. 040005

Please see our special catalogues for DICTAMAT door operators and bar magnets.