

Three Pole Heavy Duty Magnet With Very High Forces (5000 N)

The Dictator three pole heavy duty magnet with 5000 N force is designed for applications where very high holding forces are necessary (e.g. large doors, conveying systems etc.).

It consists of three single EMGD 70 magnets which are arranged in a white powder-coated casing (RAL 9010). This makes the heavy duty magnet a very economic solution when high forces are required, and easy to install too.

The heavy duty magnet is provided with a feed-back contact (ST). This relay contact registers whether the push back pin is compressed (counter plate lies against the magnet) or whether the pin is free. This information can be passed on, e.g. to a surveillance centre.

To achieve maximum force the AP FH counter plate should always be used with the heavy duty magnet.

The Dictator heavy duty magnet is equipped with a spark extinction diode. In the event of faulty connection the integrated polarity protection prevents the spark extinction diode being destroyed.



Technical Data

EM Electromagnet**FH 265x82x55 ST**

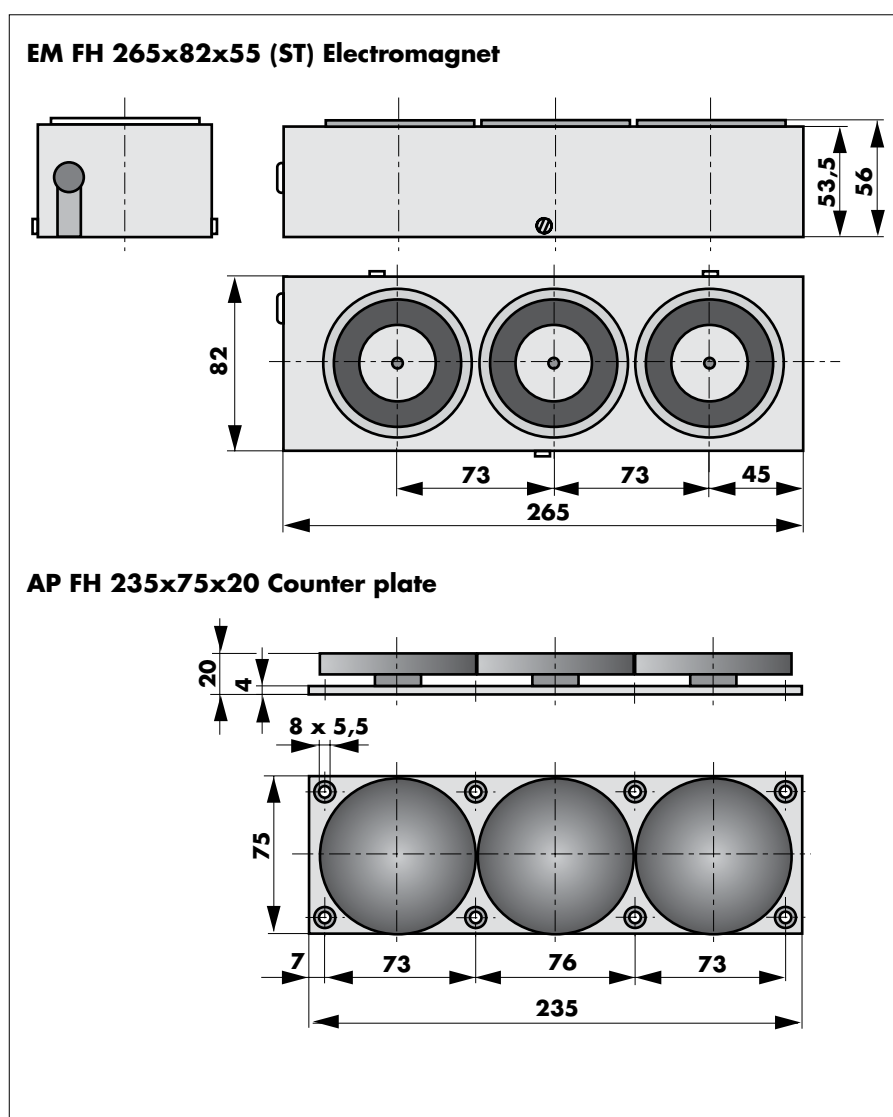
Voltage	24 VDC \pm 10 %
Power consumption	438 mA (10.3 W)
Force	5000 N
Duty cycle	100 %
Operating temperature	-20 °C to +40 °C
Remanence	0 N
Finish	magnet zinc-plated, casing white powder coated
IP rating	IP 40
Relay contact/switchable load	yes, 24 VDC / 5 A

Installation

When using the three pole heavy duty magnets for doors, the magnet is mounted on the wall behind the door that needs to be kept open. The AP FH counter plate 235x75x20 is fixed to the door as a counterpart to the magnet. To achieve the 5000 N force and activate the relay contact, make sure that the counter plate completely covers the single magnets and that it lies evenly.

Remove the magnet casing when installing and screw the mounting plate with the three magnets to the wall. A terminal is provided on the base plate for the electrical connection. Screw the casing back on the base plate after mounting and wiring.

Dimensions



Order Information

EM FH 265x82x55 ST electromagnet	force 5000 N	part no. 040271
AP FH 235x75x20 counter plate		part no. 040290