

## Flexible Counter Plate

### With Elastic Joint (Model G)

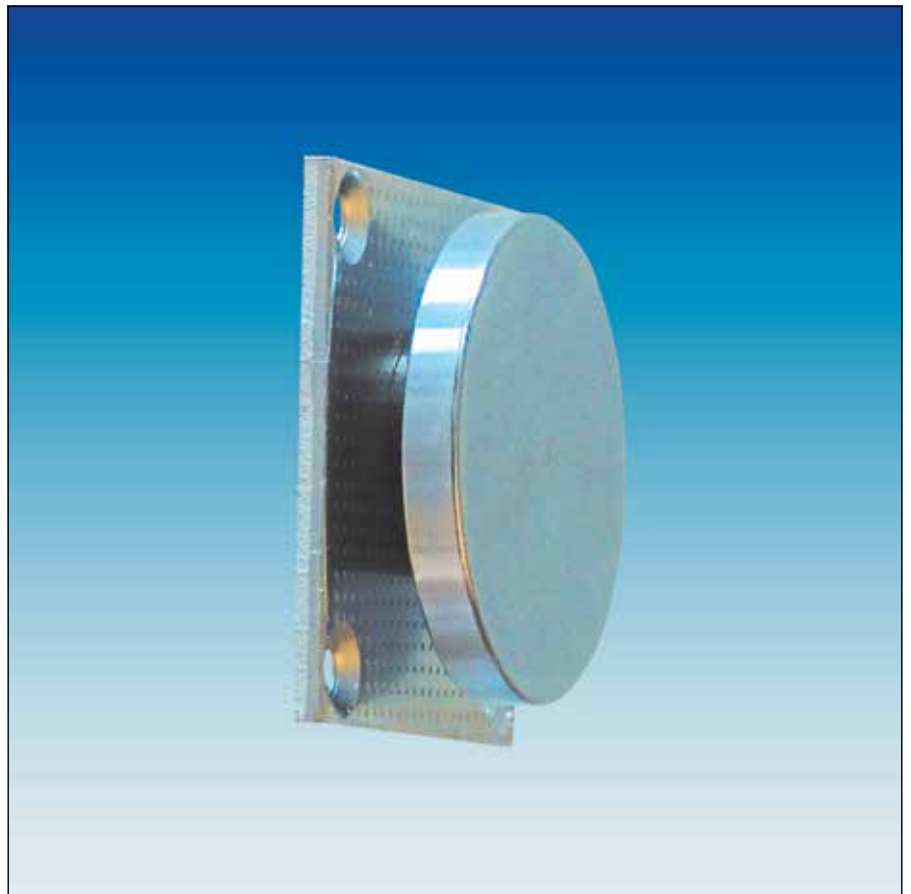
DICTATOR counter plates provide the safe and reliable connection between door and electromagnet.

Model G counter plates consist of a zinc-plated mounting plate, an elastic joint and a smooth, zinc-plated anchor plate.

To achieve maximum holding force the anchor plate should always have at least the same diameter as the electromagnet and lie flat against the magnet face.

The elastic joint between anchor and mounting plate compensates for an angle of up to 10° between door and magnet.

Model G flexible counter plates have been tested in combination with DICTATOR electromagnets.



### Order Information

AP GD 40 G 14 counter plate	Ø 44	part no. 040089
AP GD 50 G 16 counter plate	Ø 54	part no. 040025
AP GD 60 G 16 counter plate	Ø 64	part no. 040039
AP GD 60 G 30 counter plate	Ø 64	part no. 040096
AP GD 60 G 60 counter plate	Ø 64	part no. 040084
AP GD 70 G 20 counter plate	Ø 74	part no. 040026

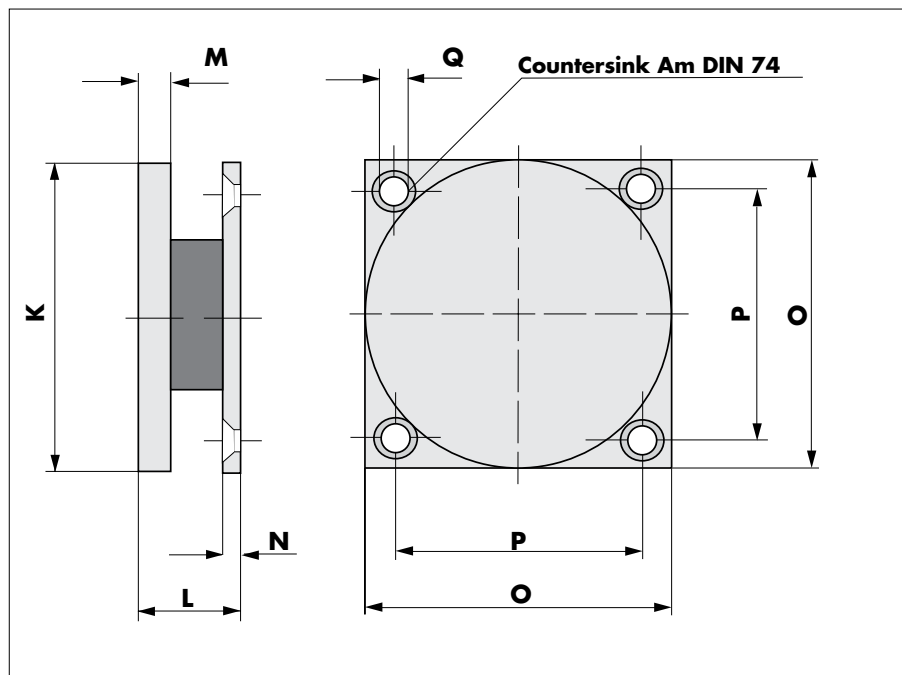
## Installation

When fixing DICTATOR counter plates to the door make sure they completely cover the magnet.

It is important not to damage the surface of the counter plate (e.g. by scratches or painting) as this would reduce the force of the magnet.

**Important:** It is imperative to follow the instructions given by the door manufacturer when installing the counter plates.

## Dimensions



Counter plate	K	L	M	N	O	P	Q
AP GD 40 G 14	Ø 44	14	5.5	3	50	40	Ø 4.5
AP GD 50 G 16	Ø 54	16	7	3	55	44	Ø 4.5
AP GD 60 G 16	Ø 64	16	7	3	65	55	Ø 4.5
AP GD 60 G 30	Ø 64	30	7	3	65	55	Ø 4.5
AP GD 60 G 60	Ø 64	60	7	3	65	55	Ø 4.5
AP GD 70 G 20	Ø 74	20	10	4	75	60	Ø 5.5

All dimensions are in mm.