

Heat Detector WM 2000

WM 2000 heat detectors are used in hold-open systems for fire-protection doors, except for doors in escape routes where they are not allowed according to the directives of the German Institute of Building and Construction Engineering. The WM 2000 has been tested according to the European standard EN 54 (part 5) and approved by the above mentioned institute for the use in hold-open systems (certificate no. Z-6.5-1903).

The heat detector is equipped with a static alarm signal level at 60 °C. An additional survey mechanism with rate-of-rise performance guarantees a prompt and reliable response to rapidly increasing temperature. This offers significantly higher safety during fast spread of fire.

In case of alarm a potential free relay contact in the heat detector opens and cuts the power supply of connected electromagnets, door closers and door operators etc. The fire protection door closes automatically.

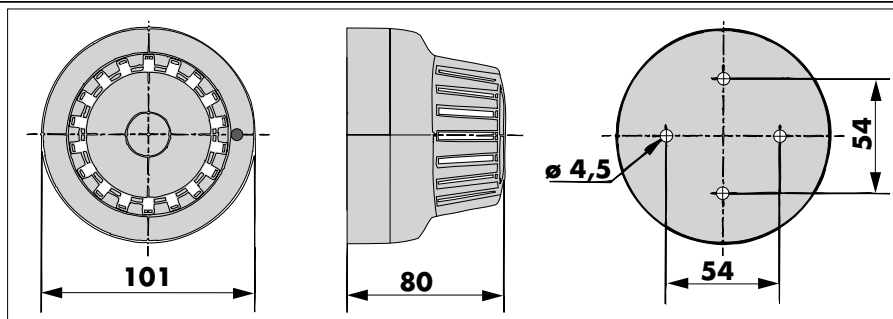
The alarm signal can be passed on through two separate potential free relay contacts. Additionally, a clearly visible red diode on the heat detector indicates the alarm system's operational situation.



Technical Data

Supply voltage	24 VDC (+15 %, -10 %)
Power consumption	approx. 15 mA
Static alarm signal level	60 °C
Current-carrying capacity relay contact	24 V/1.0 A
IP rating	IP 42
Class	A1R

Dimensions



Installation

When using the heat detector on fire protection doors please follow the guide lines for hold-open systems set by the Institute of Building Engineering in Berlin.

The heat detector is **not** equipped with a mains transformer so a direct voltage of 24 V is required at terminals ① and ⑥ (see wiring diagram below).

A potential-free relay contact (contact "a") is available at terminals ② and ③ which opens in event of alarm or power failure. An additional relay contact (contact "b") is provided at terminals ④ and ⑤.

Contact "a" always opens, but contact "b" can either open or close, depending on the heat detector model.

- Model 040511: "b" opens upon alarm

- Model 040512: "b" closes upon alarm

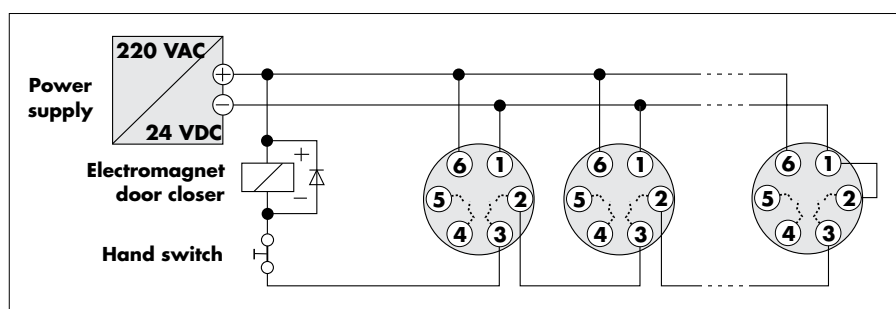
If you require several heat detectors to be wired in series, you need to place bridges at terminals ① and ② of the last heat detector (see wiring diagram below).

Insert the heat detector into the socket so that the light diode coincides with the mark in the socket. Then turn it to the right for about 1.5 cm until it snaps in. It is now ready for operation.

The hand switch can be mounted anywhere on the feed line which is connected to the electromagnets or the door closer.

Advice: Protect the heat detector from dust, colour mist and moisture to prevent malfunction.

Connection Example



Order Information

Heat detector WM 2000, kontakt "b" opens on alarm	part no. 040511
Heat detector WM 2000, kontakt "b" closes on alarm	part no. 040512
Socle for WM 2000 heat detector	part no. 040540

Further Accessories

Bracket for installation on the wall	part no. 040570
Power pack 24 VDC / 450 mA	part no. 040545
Power pack 24 VDC / 800 mA	part no. 040552
Hand release switch	part no. 040005