

Brackets for Electromagnets For Easier Mounting

DICTATOR offers a distance bracket for the wall or floor and a telescopic bracket for fixing electromagnets. In certain situations they make mounting electromagnets much easier and faster.

The two different types characterize as follows:

- **Distance bracket for floor and wall mounting.** The **head** can be **swiveled** up to **180°** and thus can adapt to the most different hitting angles of the door. The **height** of the **console** can be adjusted up to 70 mm. The base plate of the magnet is screwed to the bracket (4 Allen head screws are included in the delivery). When choosing the appropriate console for the base plate of the electromagnet you have to consider the distance between the borings and their diameter.
- **Telescopic bracket**
The telescopic bracket allows to easily adapt the mounting position of the magnet on site. It offers a very large adjusting range and is extremely robust. That predestines it especially for heavy duty applications (e.g. in schools).

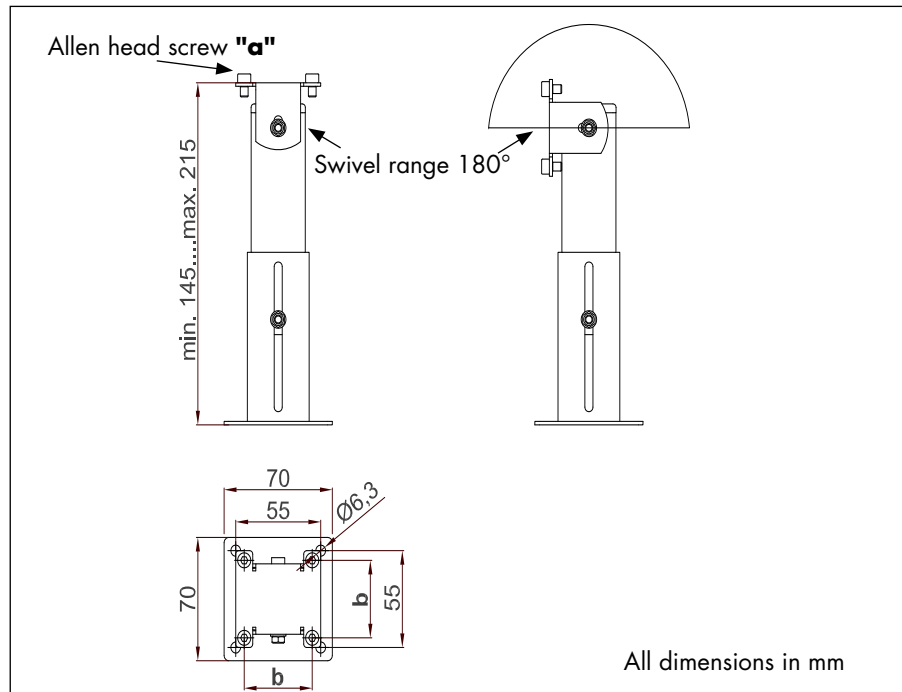


Technical Data

	Floor/wall distance bracket	Telescopic bracket
Adjusting range	head can be swiveled up to 180°	inclination of arm 90 - 136°
Adjustability of height	145 - 215 mm	388 - 520 mm
Hole pattern designed for	EM GD 50 and 60	EM GD 50, 60 and 70
Material/Finishing	sheet steel, powder-coated in white (RAL 9010)	

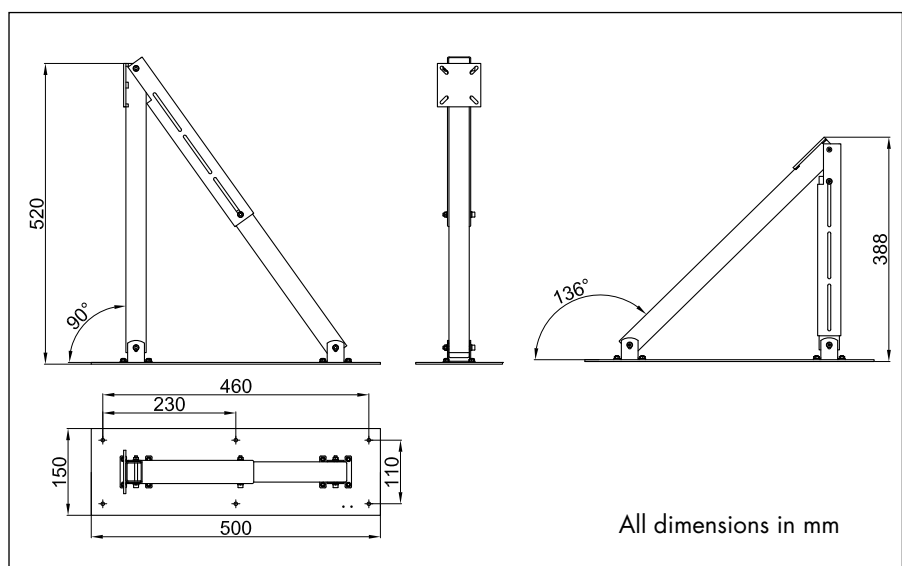
Dimensions and Part Numbers

Dimensions Distance Bracket



Bracket	a Dimension	b	appropriate for magnets (e.g.)
040124	M4	44 mm	EM GD 50 R26, R26I, F26
040126	M5	44 mm	special types as EM GD 50 F25T
040127	M4	55 mm	EM GD 60 R26, R26I, F26

Dimensions Telescopic Bracket



Order Information

Distance bracket white, fixing measures 44x44 mm/M4	part no. 040124
Distance bracket white, fixing measures 44x44 mm/M5	part no. 040126
Distance bracket white, fixing measures 55x55 mm/M4	part no. 040127
Telescopic bracket white, oblong fixing holes	part no. 040147