

DICTAMAT 6000 Door Operator

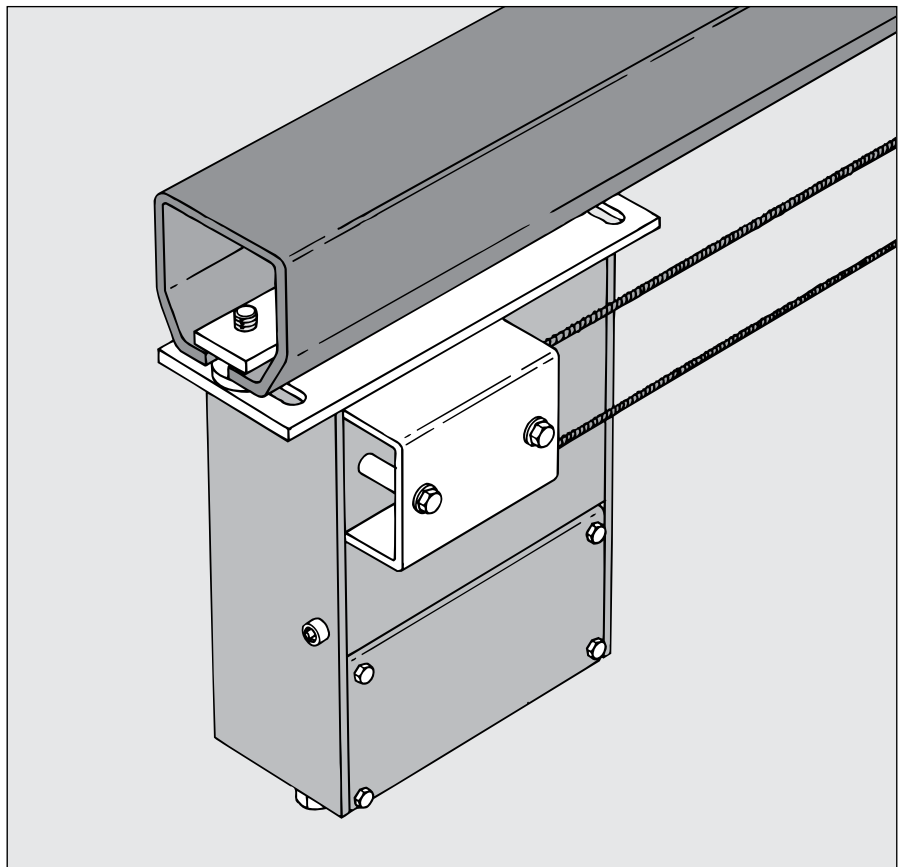
For Fire Doors with Spring or Counter Weight

The DICTAMAT 6000 door operator has benefited from DICTATOR's vast experience and is designed according to the latest mechanical and electronic standards. The control system is integrated in the **economic** operator. It can be **mounted quickly** and put into operation without needing an electrician for the wiring, as the drive unit is already equipped with a ready to plug-in cable for the 230 V mains.

The compact operator opens fire protection doors and keeps them open in the desired position. Even the closing speed is controlled (adjustable). Using the additional connection box V6-S the DICTAMAT 6000 offers automatic closing as well.

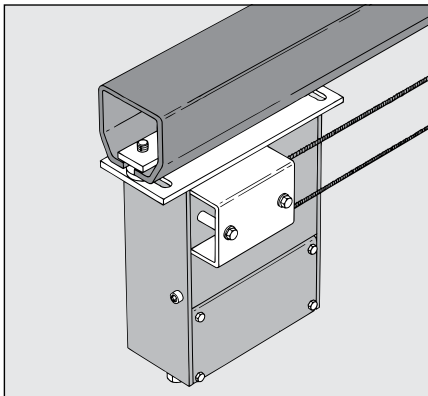
The integrated position control replaces traditional limit switches. The "door open" position is retained in the control system's memory, even after power failure. The motor force is transmitted to the door by a toothed belt.

The drive unit has been tested and approved (Z-6.5-1335) and its quality is constantly monitored (Do.15.3) by an independent institute (MPA-NRW).



Selection Criteria

- For doors from 1 m to 7 m
- Motor force in opening direction: 600 N
- For doors up to max. 1300 kg (doors must run smoothly)
- Closing by counter weight provided on site or by separate closing spring
- For up to 100 cycles per day
- Position control: integrated encoder
- Integrated control system B6
- Deadman or impulse operation: OPEN, STOP, CLOSE



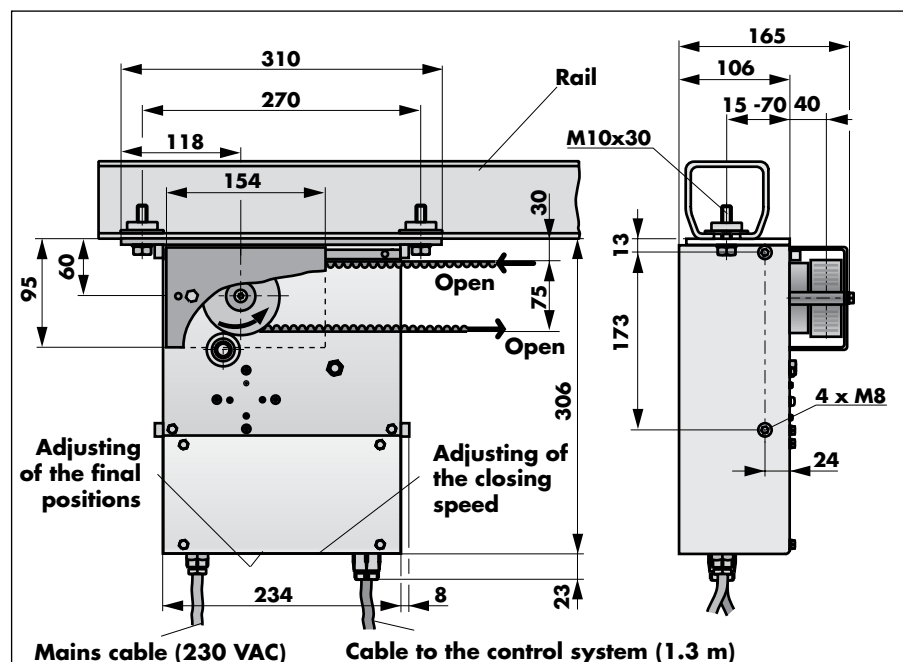
Dimensions, Components Included

The door operator is always fixed with the mounting plate laterally at the end of the rail. Please check that sufficient space is available (distance to the wall min. 320 mm).

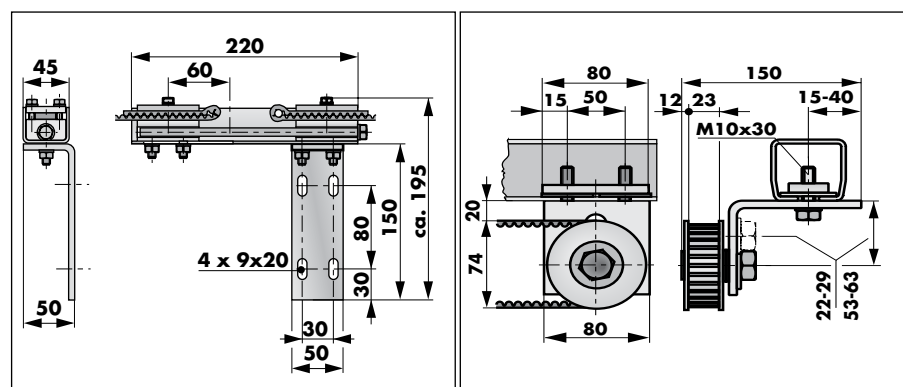
Should this installation not be possible, the drive unit can also be fixed to the rail so it sits horizontally below the rail, but this requires a longer mounting plate. Please ask for the drawing.

The dimensions of the components not shown below (dampers, spring rope pulleys, smoke detectors etc.) can be found starting on page 05.051.00 and in the chapter Fire Door Control Solutions of the DICTATOR catalogue.

Dimensions DICTAMAT 6000Z



Dimensions Belt Tensioner for the Door and Idler Pulley with Mounting Bracket



Components Included

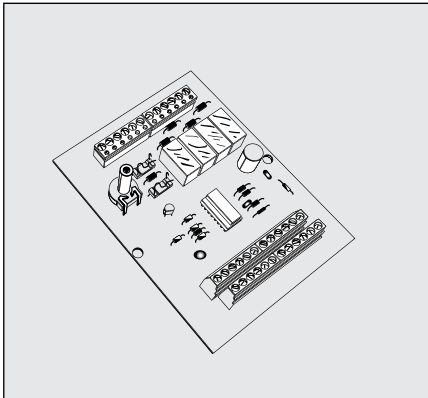
Door operator (48 VDC electric motor, control system, mains connection cable)

Mounting plate with threaded counter plate for mounting to the rail

Driving wheel Ø 70 mm for toothed belt, belt tensioner and fixing bracket

Idler pulley with mounting bracket directly to the rail

Dimensioned drawings of other door operator installations, other brackets (e.g. angular bracket for the installation in front of the rail) and further accessories are available on request. We will be happy to send them to you.



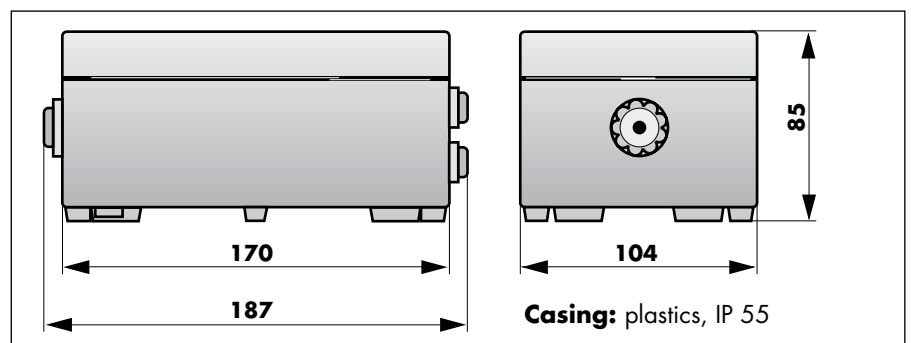
Connection, Additional Functions

Connection Box V6-S

The connection box V6-S simplifies the electrical connection of the DICTAMAT 6000 considerably. In addition it automatically makes the necessary RESET after each alarm by smoke detector or emergency switch. A manual reset is not necessary. Furthermore the connection box offers the choice, whether in case of alarm the safety equipment or the closing function shall have priority. This provides for **higher safety**.

With the **V6-S** connection box, the DICTAMAT 6000 can additionally be upgraded to **automatic closing**. The automatic closing is adjustable between 5 and 90 seconds and also can be switched off.

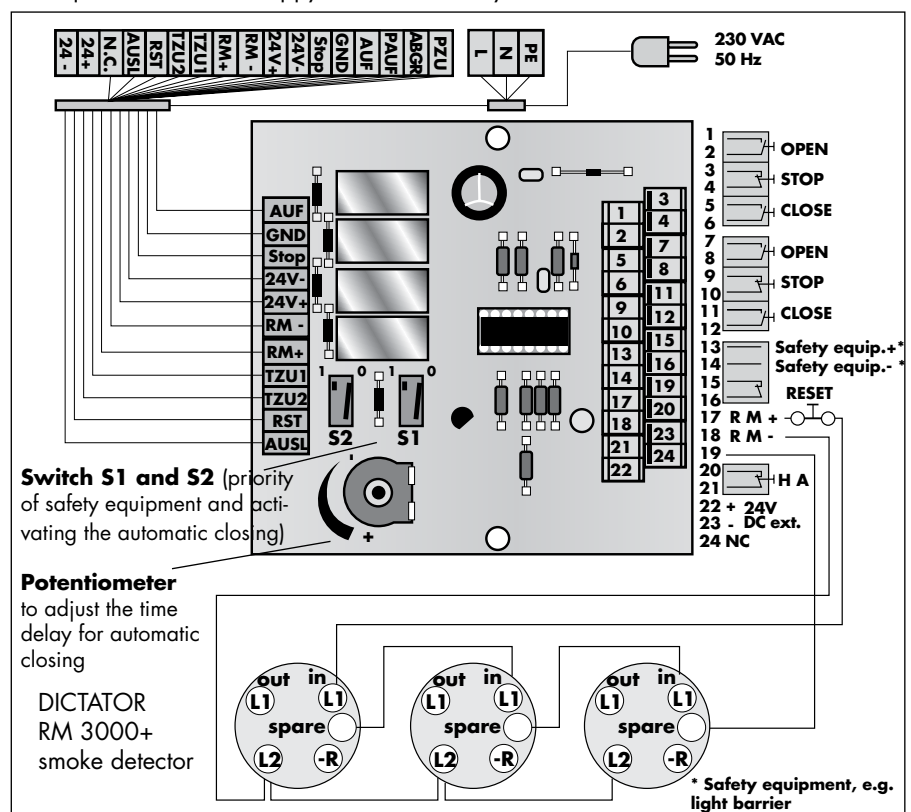
Dimensions

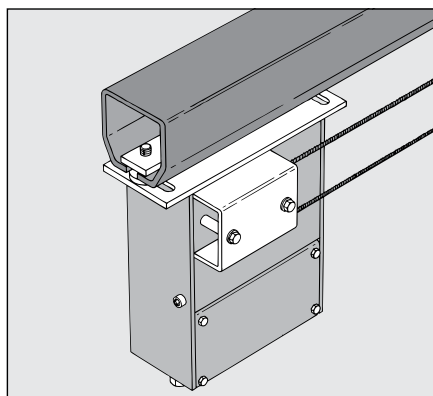


V6-S Connection Diagram

The connection box disposes on one side of the circuit board of a terminal strip to which all leads of the control wire are connected. On the other side are the terminal strips for the operating elements. Two clamps each are designed for the functions OPEN, STOP, CLOSE.

Connection diagrams for RM 2000 and detailed installation instructions are available on request. We will be happy to send them to you.



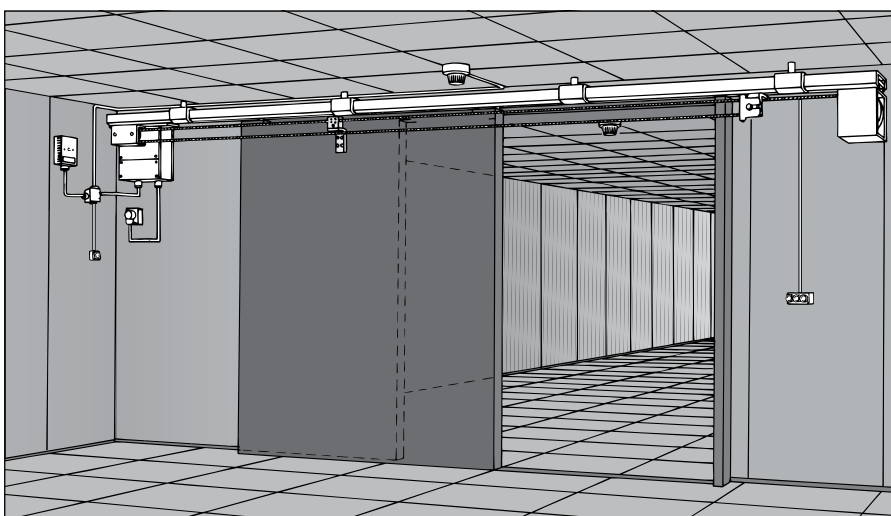


DICTAMAT 6000

For Single and Double-Leaved Fire Protection Doors

The very flat and powerful disc-armature **motor** opens the door as long as the deadman-OPEN switch is pressed. A revolving toothed belt, attached to the motor, provides smooth power transmission to the door. It is fixed to the door with a special bracket which also tensions and secures the belt. The idler pulley is fixed to the rail in the same way as the drive unit. The electromagnetic **hold open system** keeps the door open in every desired position until its power supply is interrupted by a smoke detector or hand switch. The door is closed automatically by a separate **spring rope pulley** or a counter weight (min. 10 kg). The closing speed is controlled by the door operator's **magnetic brake system**. The operator is supplied ready to mount, including the **integrated control system** and 1.5 m connection cable to the mains with European standard connector.

Installation and Operation



The door operator is fixed to the rail from below with a mounting plate. For doors up to 6.5 m width we recommend our spring rope pulleys as closing mechanism.

Technical Data

• Adjustable closing speed	0.08 - 0.20 m/s (magnetic brake)
• Opening speed	about 0.3 m/s (not adjustable)
• Mains connection (1.5 m cable with connector)	230 VAC / 10 A / 50 - 60 Hz
• Integrated power pack and magnet	24 VDC / 375 mA (magnet: 3 W)
• Motor	48 VDC / 150 W / IP 40
• Weight	14 kg

Order Information

DICTAMAT 6000Z operator for toothed belt	part no. 780600Z
Toothed belt HDT8, 20 mm wide (please indicate required length)	part no. 710490

Order Information Accessories

Additional belt fixing device for doors with two leaves	part no. 710495
V6-S connection box with automatic closing	part no. 780651
160 N or 320 N spring rope pulley (or counter weight on site)	see pg. 05.051.00
EDHM28 hydraulic damper (only for CLOSED position)	see pg. 05.064.00
Smoke detectors, hand release and RESET switches:	see Fire Door Control Solutions
Operating elements (for type of contact see connection diagram)	see page 05.067.00 et seq.
Separate 24 VDC power pack (only for consumption >375 mA):	s. Fire Door Control Sol. (Calculate the complete power requirement, as the integrated power pack is switched off then!)